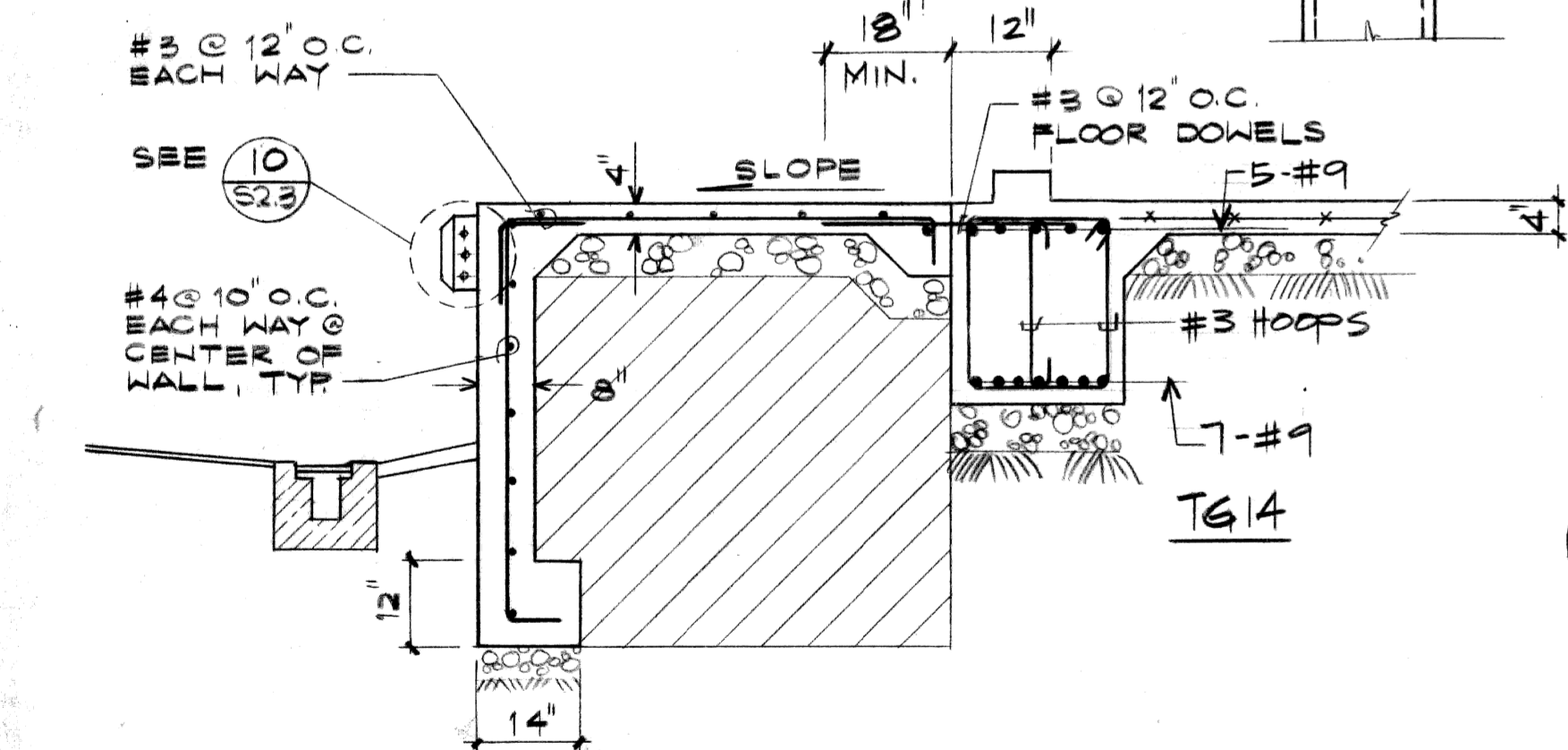


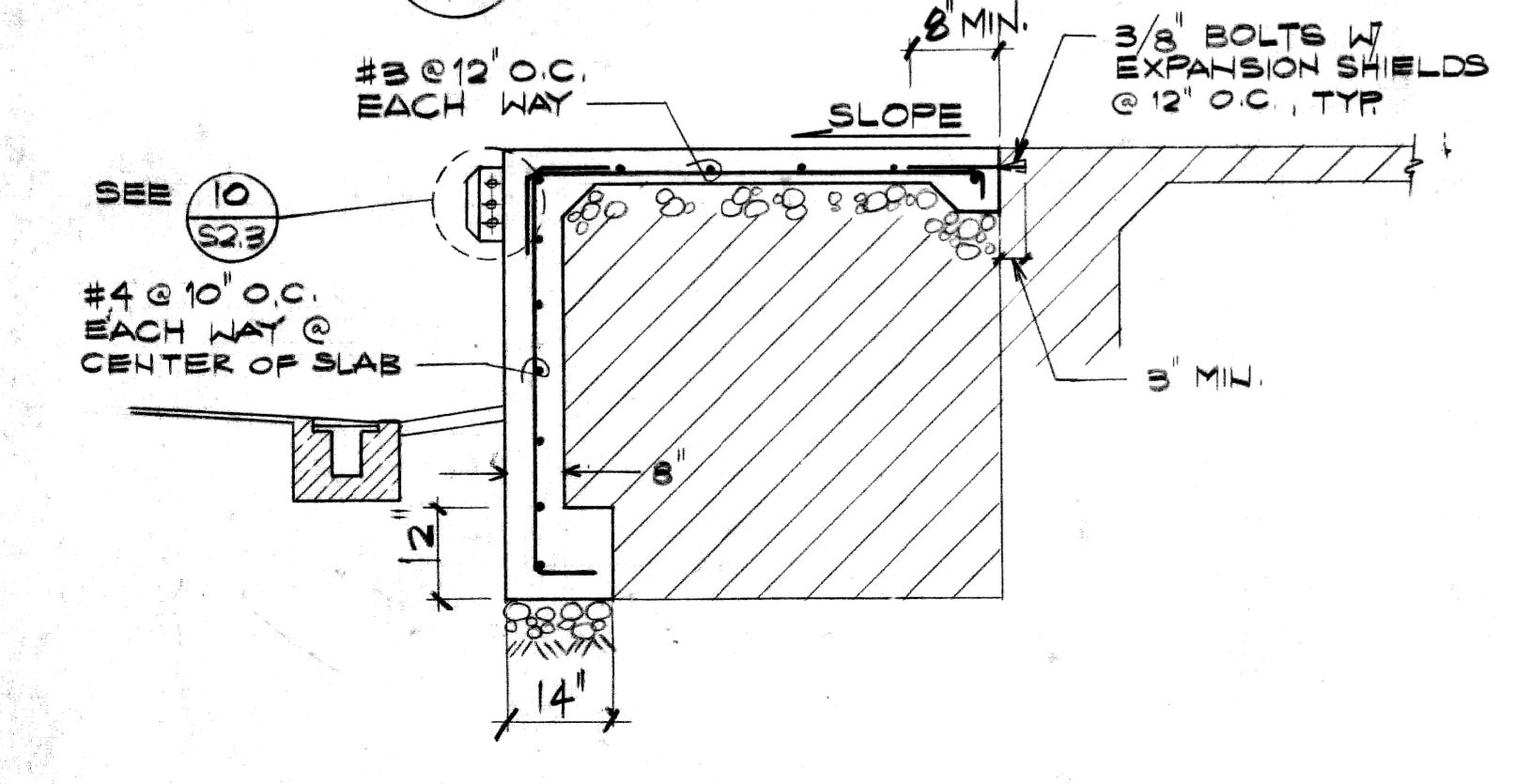
1 FOUNDATION PLAN (C-WING)
SCALE: 1/8" = 1'-0"

NOTE: REFER TO ARCH. DNGS. FOR DOOR, WINDOW AND WALL OPENINGS, LOCATIONS AND DIMENSIONS.

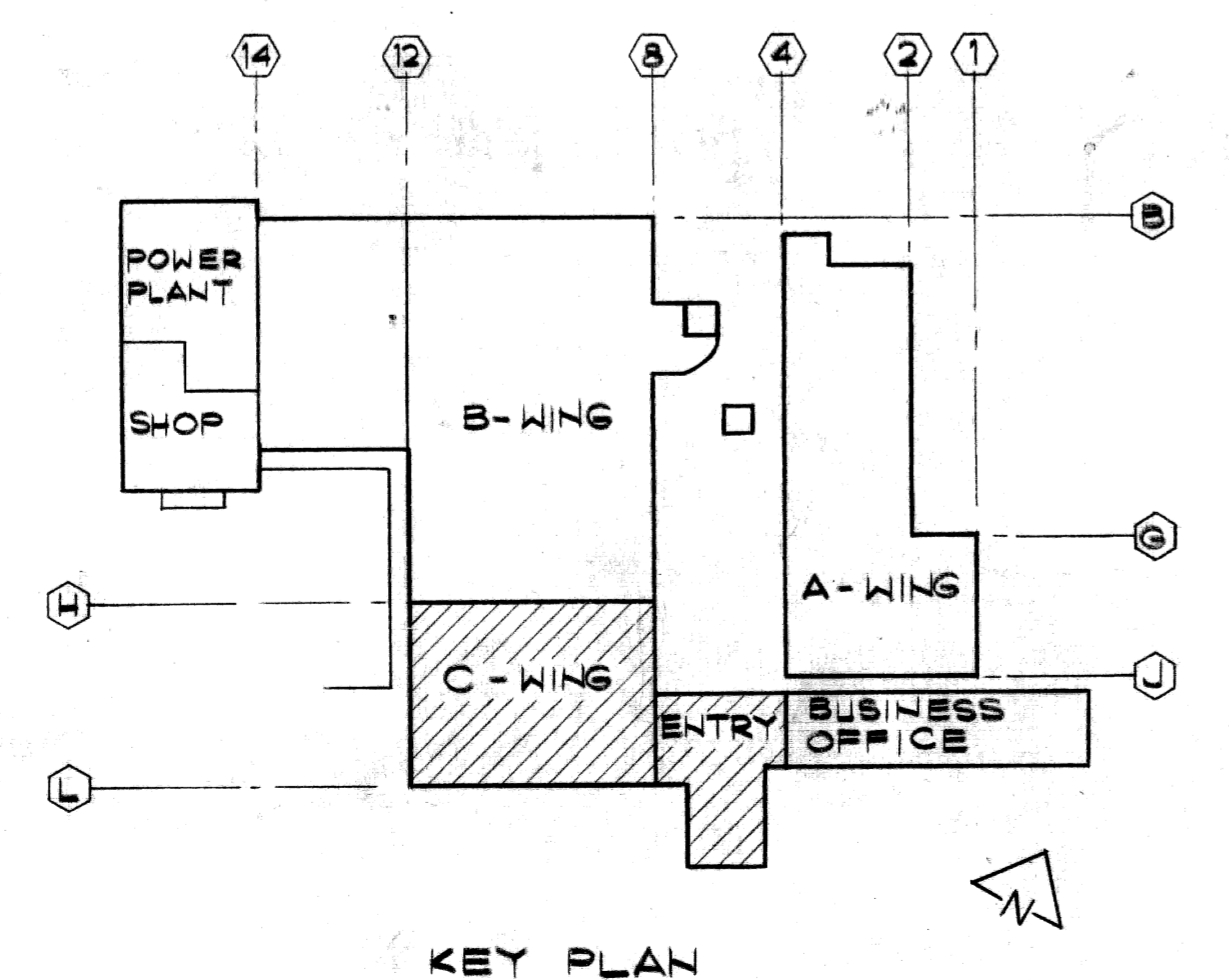
CANOPY COLUMN FOUNDATION AND CANOPY ABOVE ADDITIVE BID ITEM #4



8 SECTION
SCALE: 1/2" = 1'-0"

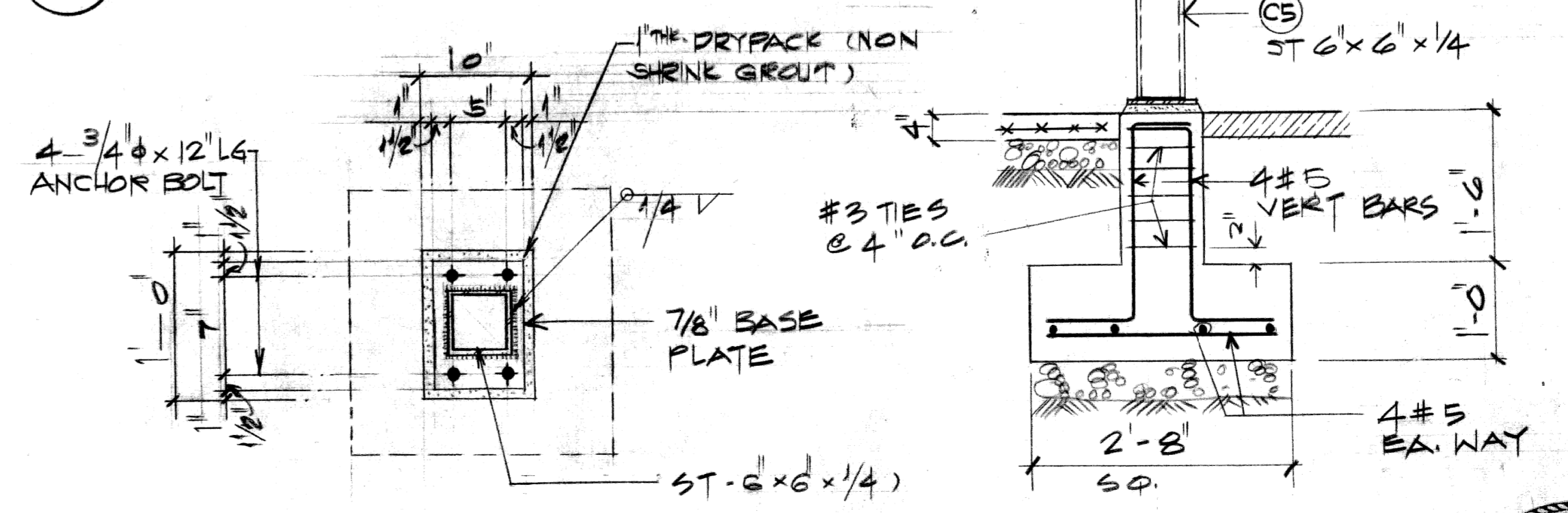


9 SECTION
SCALE: 1/2" = 1'-0"

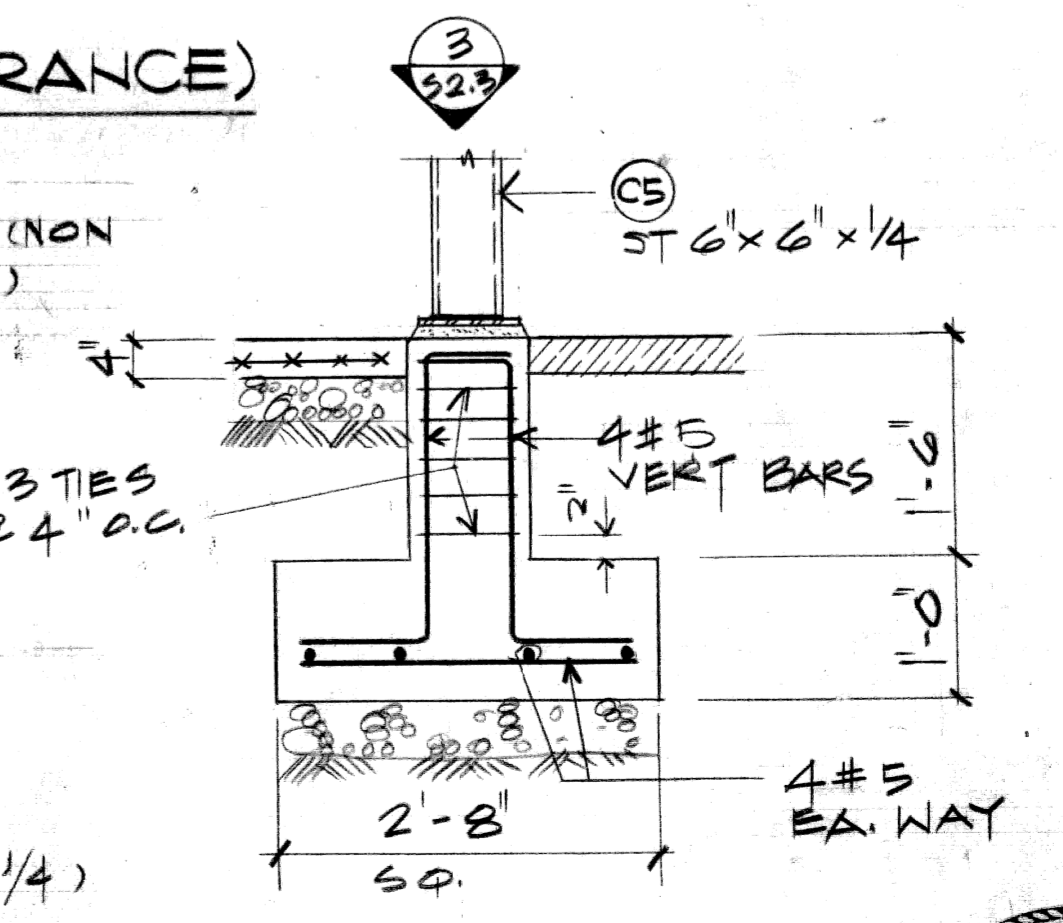


KEY PLAN

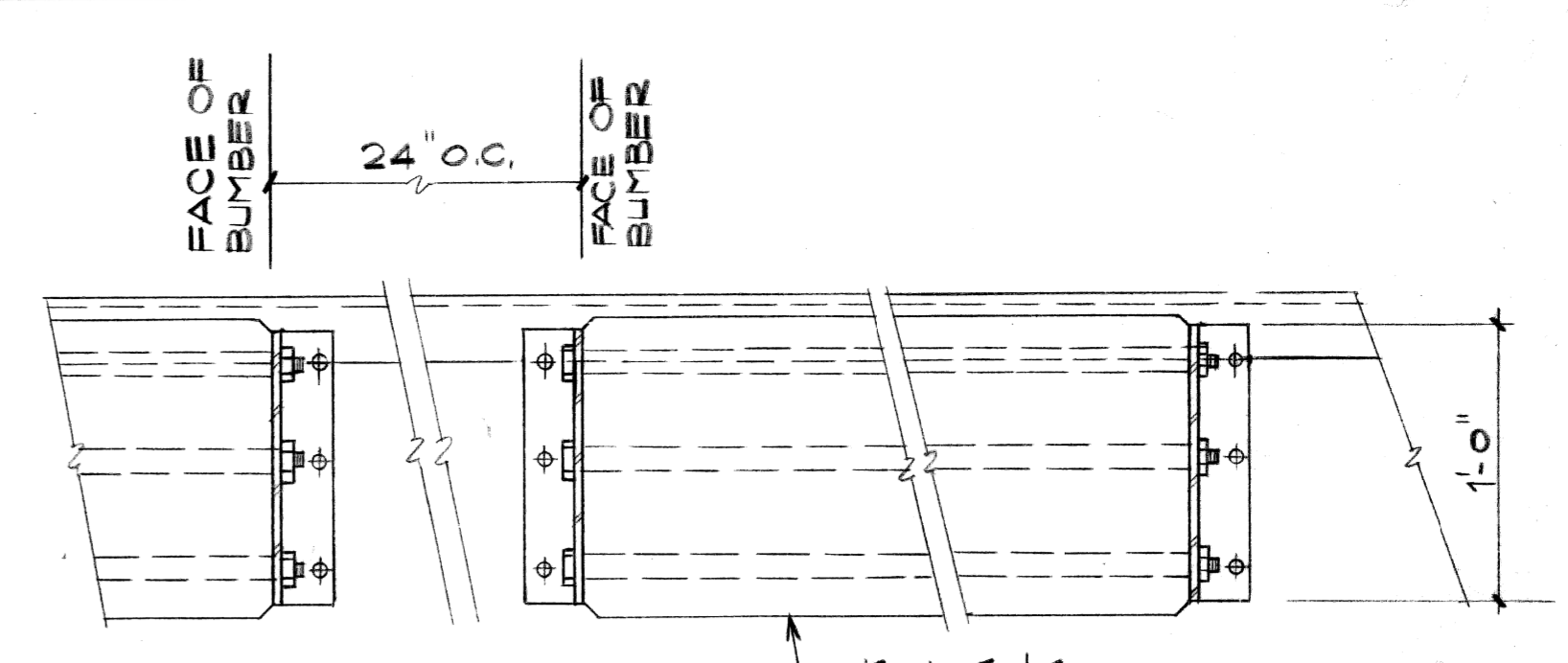
2 FOUNDATION PLAN (ENTRANCE)
SCALE: 1/8" = 1'-0"



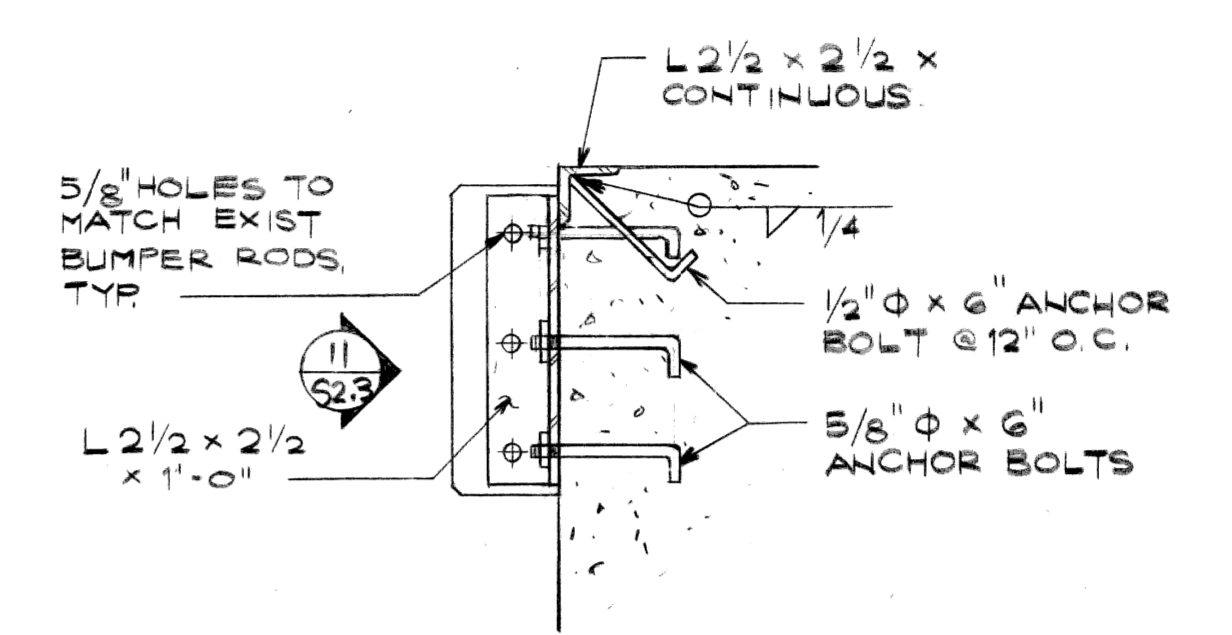
3 DETAIL
SCALE: NOT TO SCALE



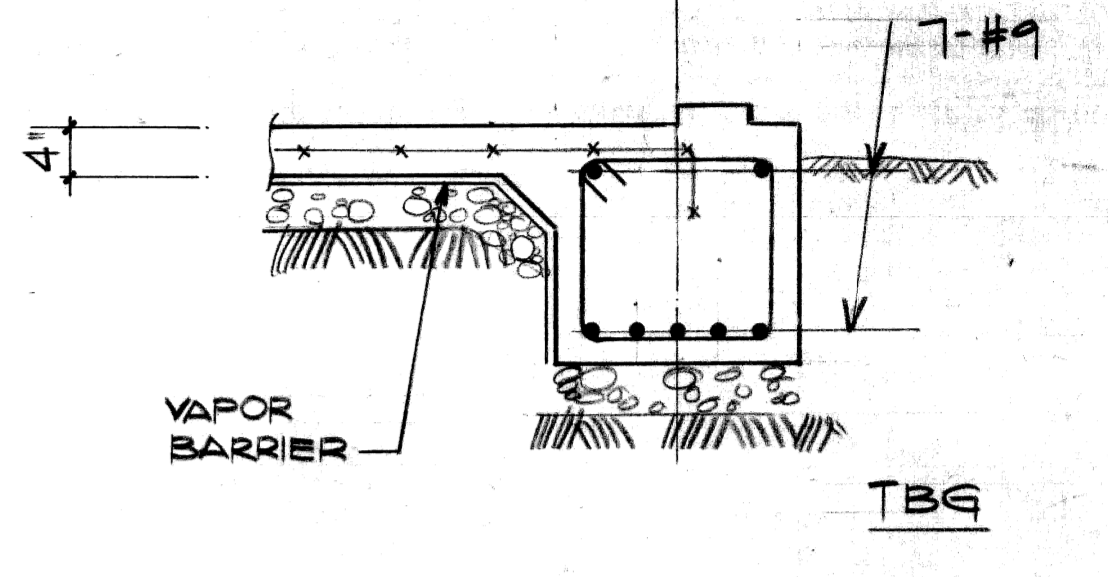
4 SECTION
SCALE: 1/2" = 1'-0"



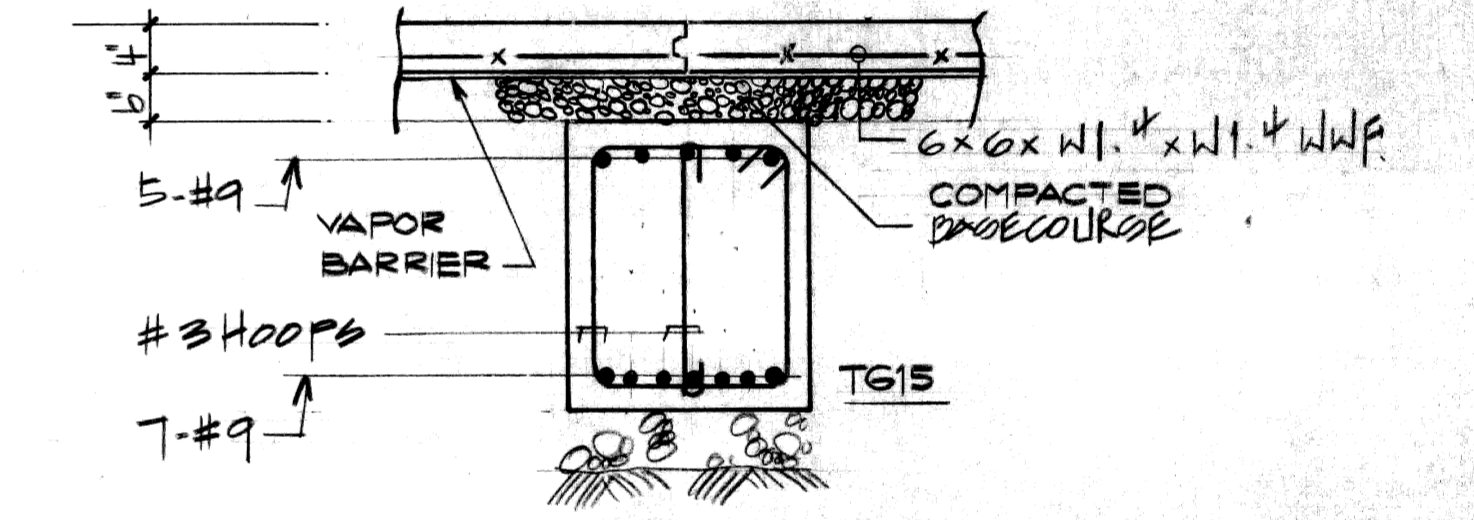
II DETAIL
SCALE: 1/2" = 1'-0"



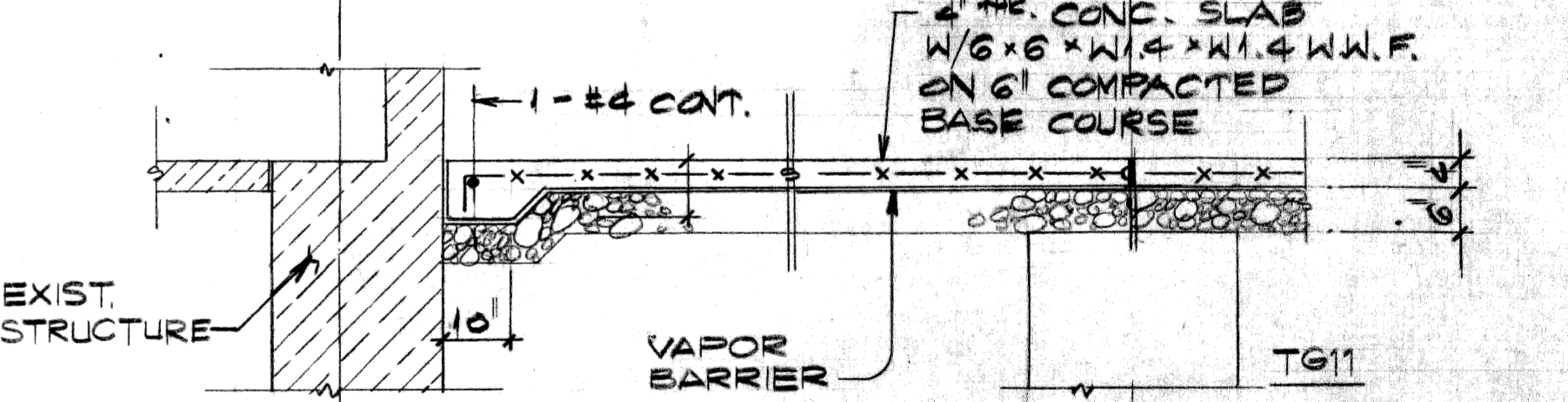
10 DETAIL
SCALE: 1/2" = 1'-0"



5 SECT DETAIL
NOT TO SCALE

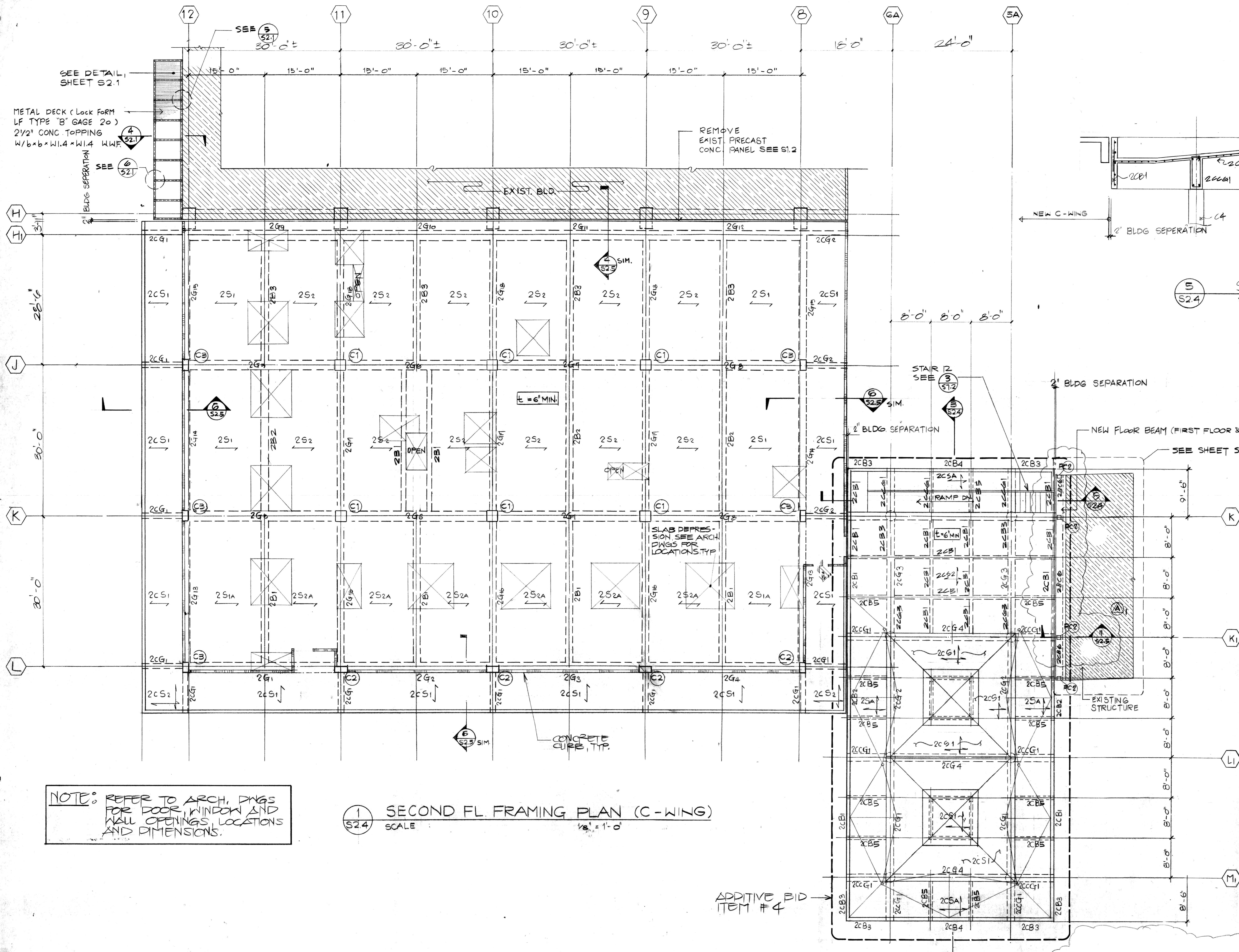


6 SECTION
NOT TO SCALE



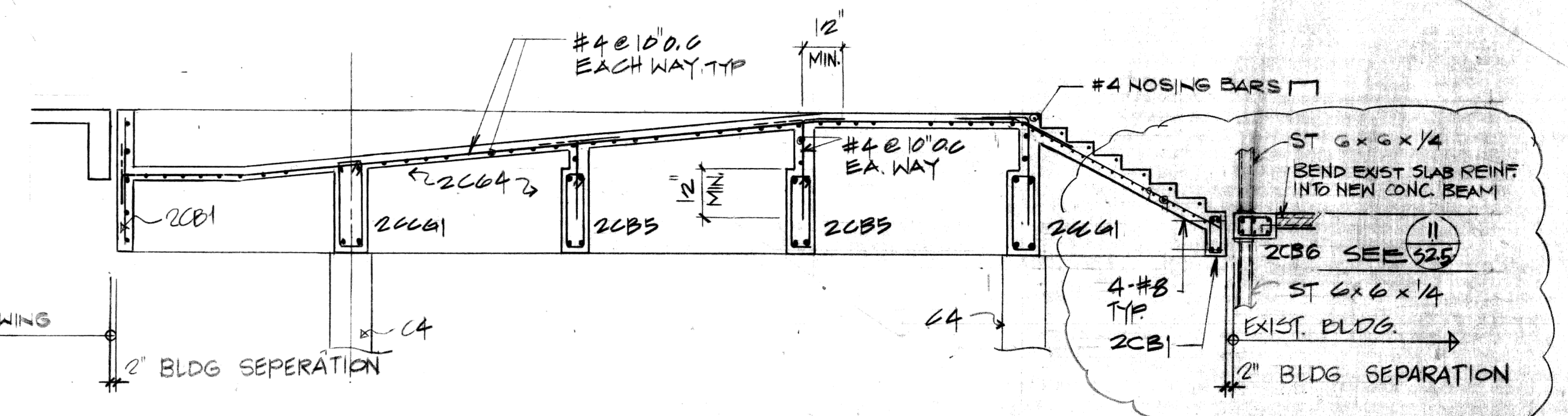
7 SECTION
SCALE: 1/2" = 1'-0"

REVISION	DATE	DESCRIPTION	DRAWN	APPROVED
GOVERNMENT OF GUAM Department of Public Works				
UP GRADING and EXPANSION OF THE GUAM MEMORIAL HOSPITAL				
TAMUNING, PACKAGE III, IV & V GUAM				
DESCRIPTION OF DRAWING: FOUNDATION PLAN & DETAILS (C-WING & MAIN ENTRANCE)			DESIGNED BY: DG	DATE: 23-MAR-89
RECOMMENDED BY: [Signature]			CHECKED BY: DG	PROJECT MANAGER: [Signature]
ARCHITECT: Taniguchi-Ruth & Associates			CONSULTING ARCHITECT: Rex Whitaker Allen, FAIA	SCALE: AS NOTED
100 Cliff Business Center, Agaña, Guam 96910			San Francisco, CA	DRAWING NUMBER: S2.3
				SHEET 124 OF 210

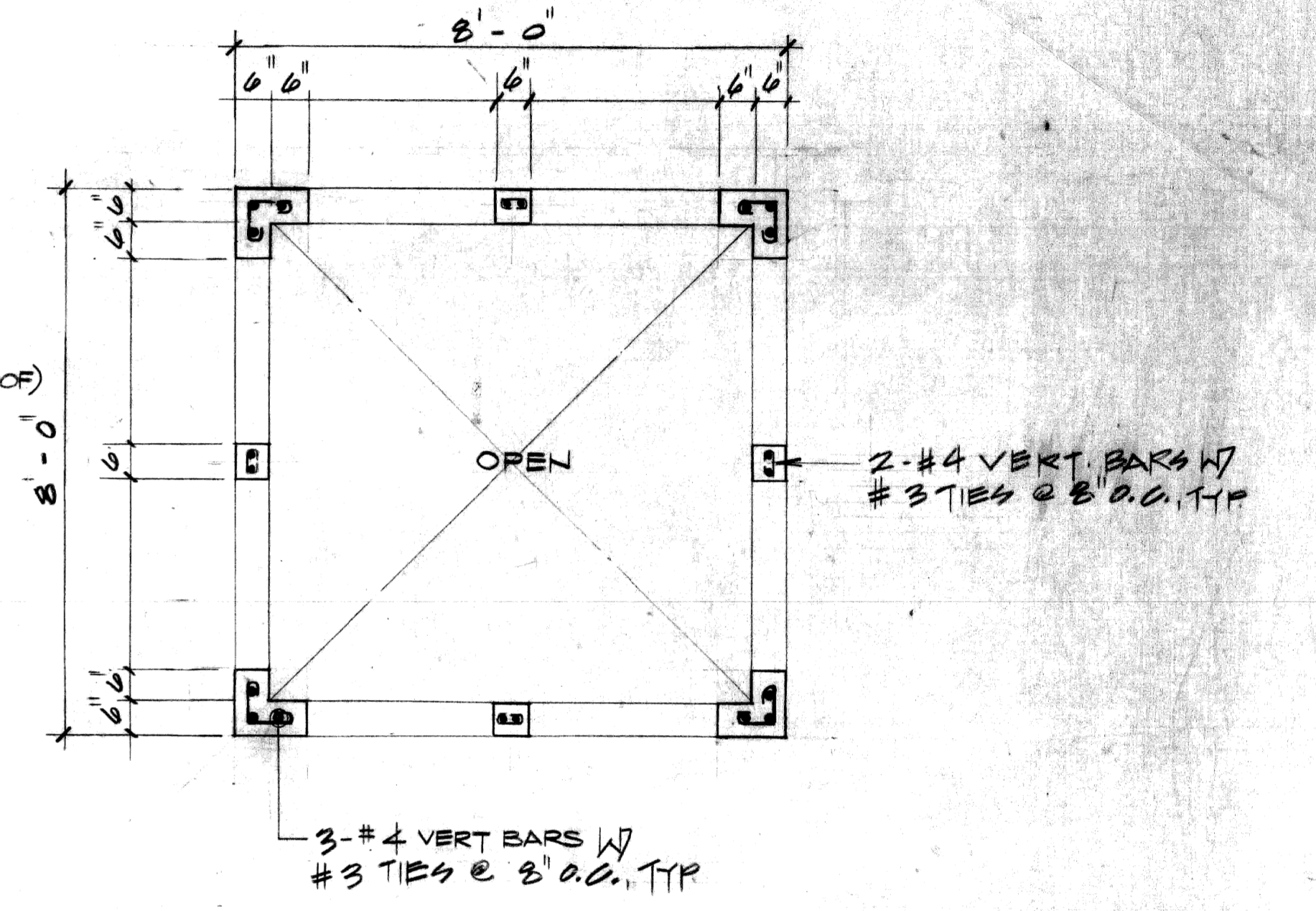


1 SECOND FL FRAMING PLAN (C-WING)
SCALE: 1/8" = 1'-0"

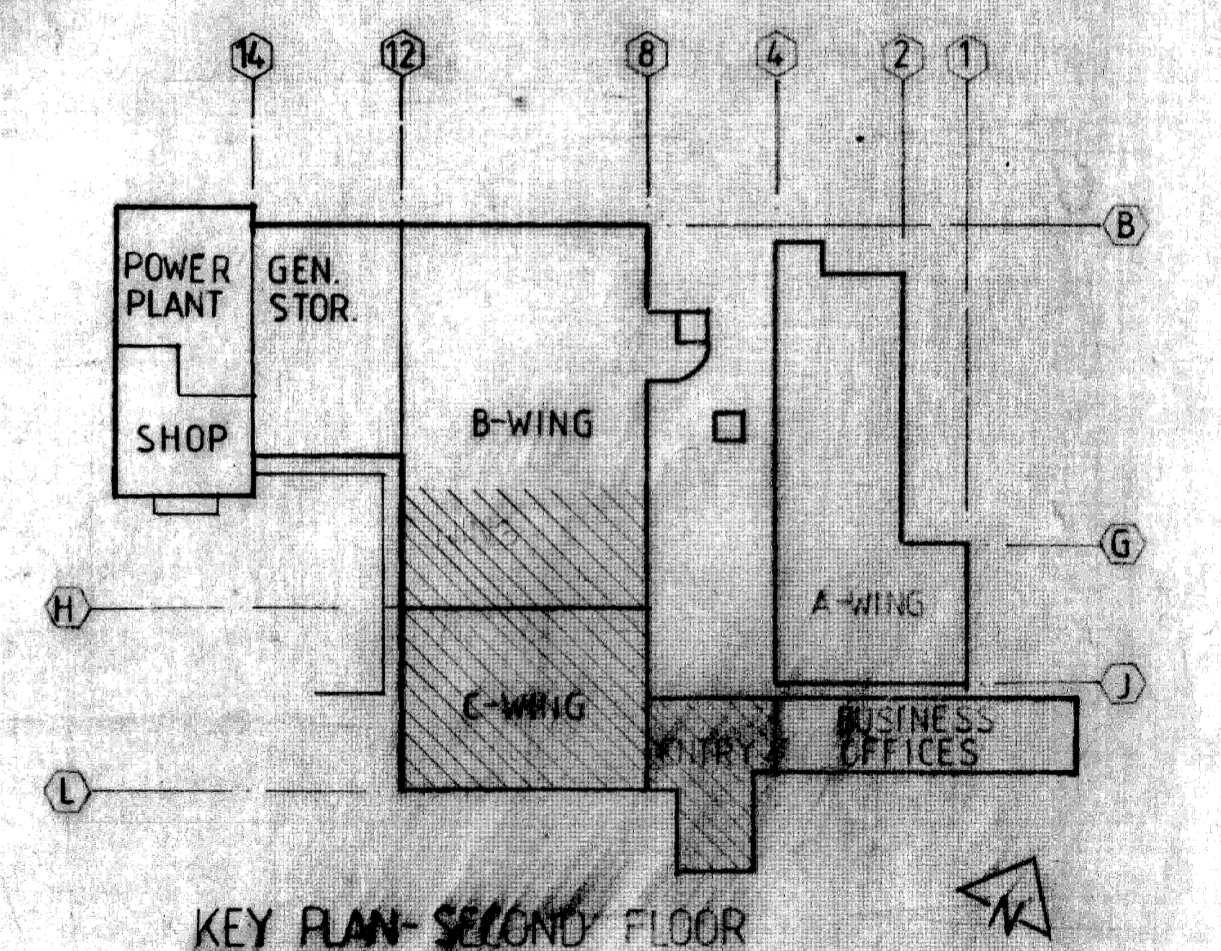
2 ROOF FRAMING PLAN (ENTRANCE)
SCALE: 1/8" = 1'-0"



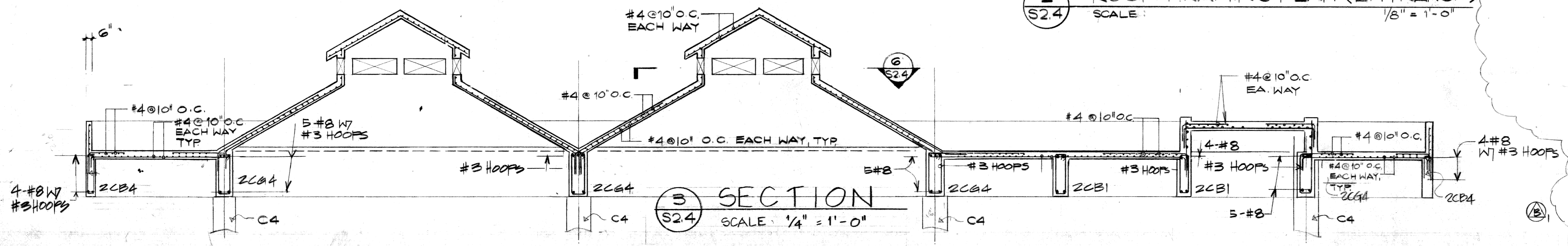
5 SECTION
SCALE: 1/4" = 1'-0"



6 SECTION
SCALE: 1/2" = 1'-0"

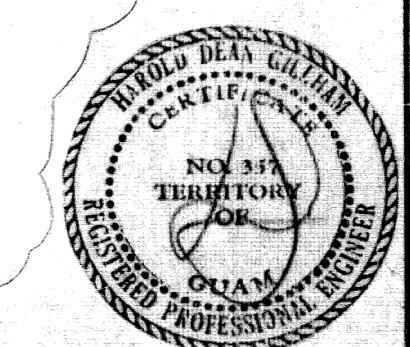


KEY PLAN - SECOND FLOOR



3 SECTION
SCALE: 1/4" = 1'-0"

NOTE: REFER TO ARCH. DNGS FOR DOOR WINDOW AND WALL OPENINGS LOCATIONS AND DIMENSIONS.



REVISION	DATE	DESCRIPTION	DRAWN	APPROVED

GOVERNMENT OF GUAM
Department of Public Works

PROJECT NO: 480-B-DIG-F-PM
DATE: 23-MAR-89

UP GRADING and EXPANSION OF THE GUAM MEMORIAL HOSPITAL
TAMUNING, PACKAGE III, IV & V GUAM

DESIGNED BY: DCA
DRAWN BY: AM
CHECKED BY: DCA
SUPV BY: DCA

DESCRIPTION OF DRAWING:
SECOND FL FRAMING PLAN & DETAILS (C-WING & MAIN ENTRANCE)

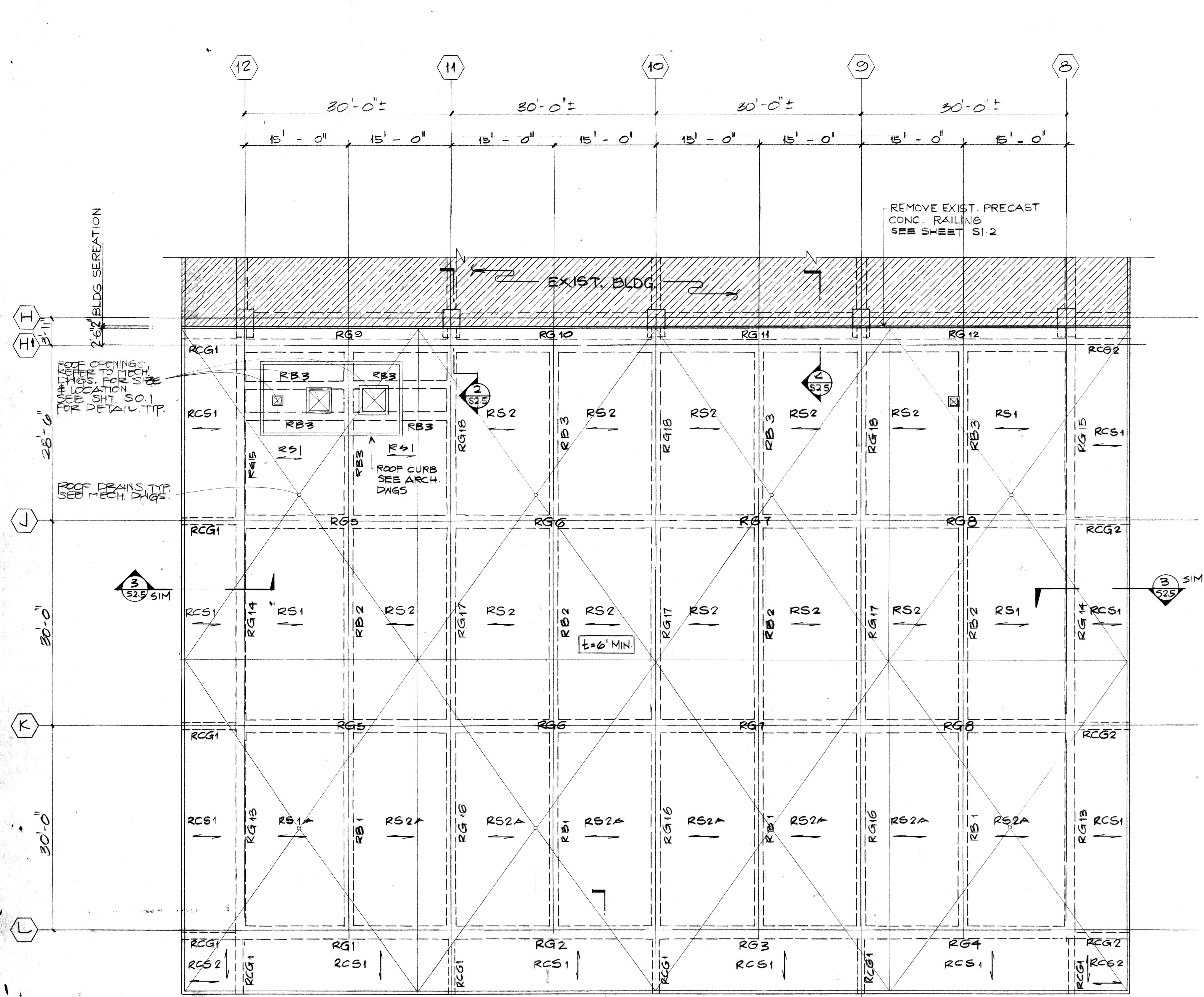
RECOMMENDED BY: [Signature]
DATE: 4/3/89

CHIEF OF ENGINEERING: [Signature]

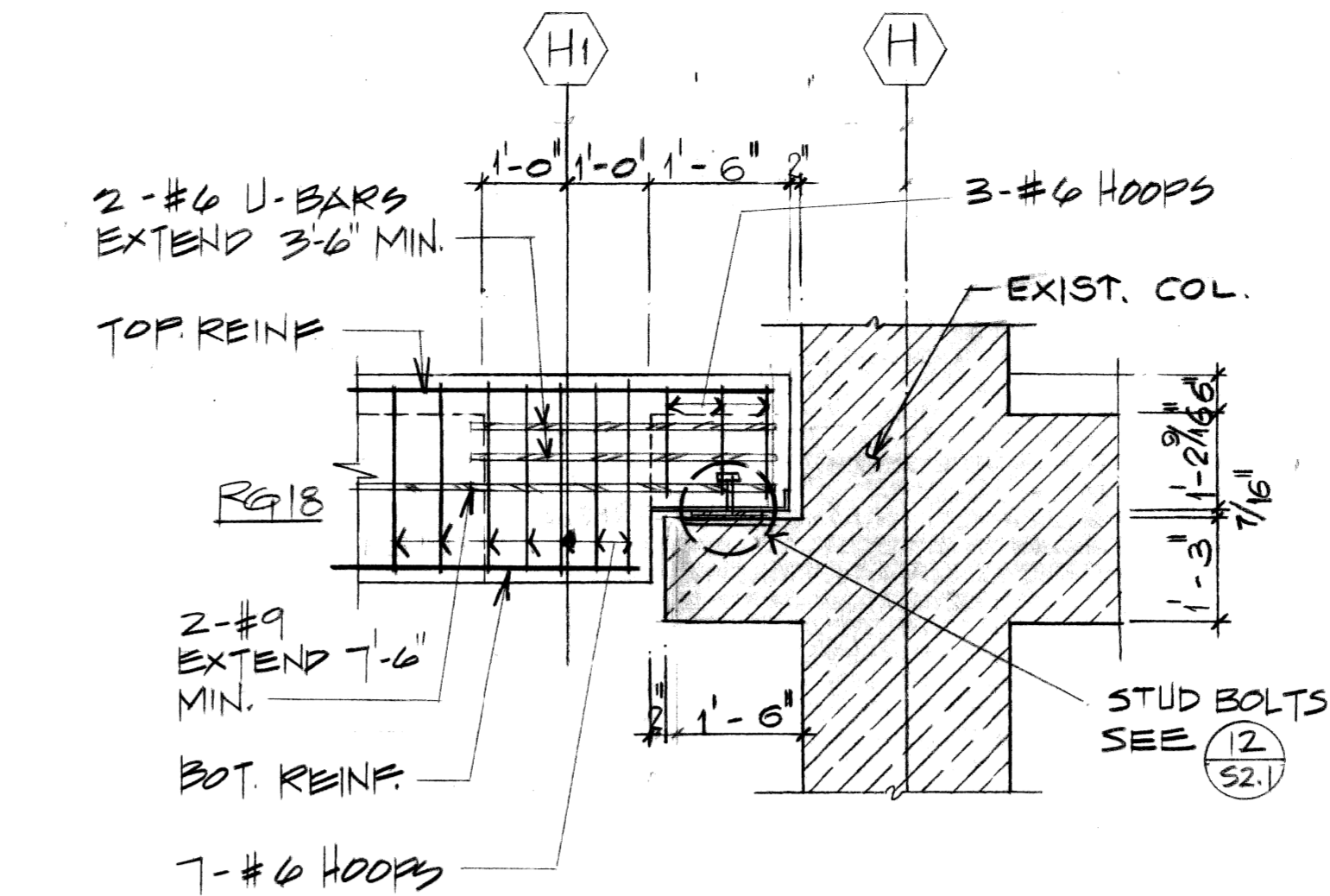
ARCHITECT:
Taniguchi-Ruth & Associates
100 Cliff Business Center
Agaña, Guam 96910

CONSULTING ARCHITECT:
Rex Whitaker Allen, FAIA
San Francisco, CA

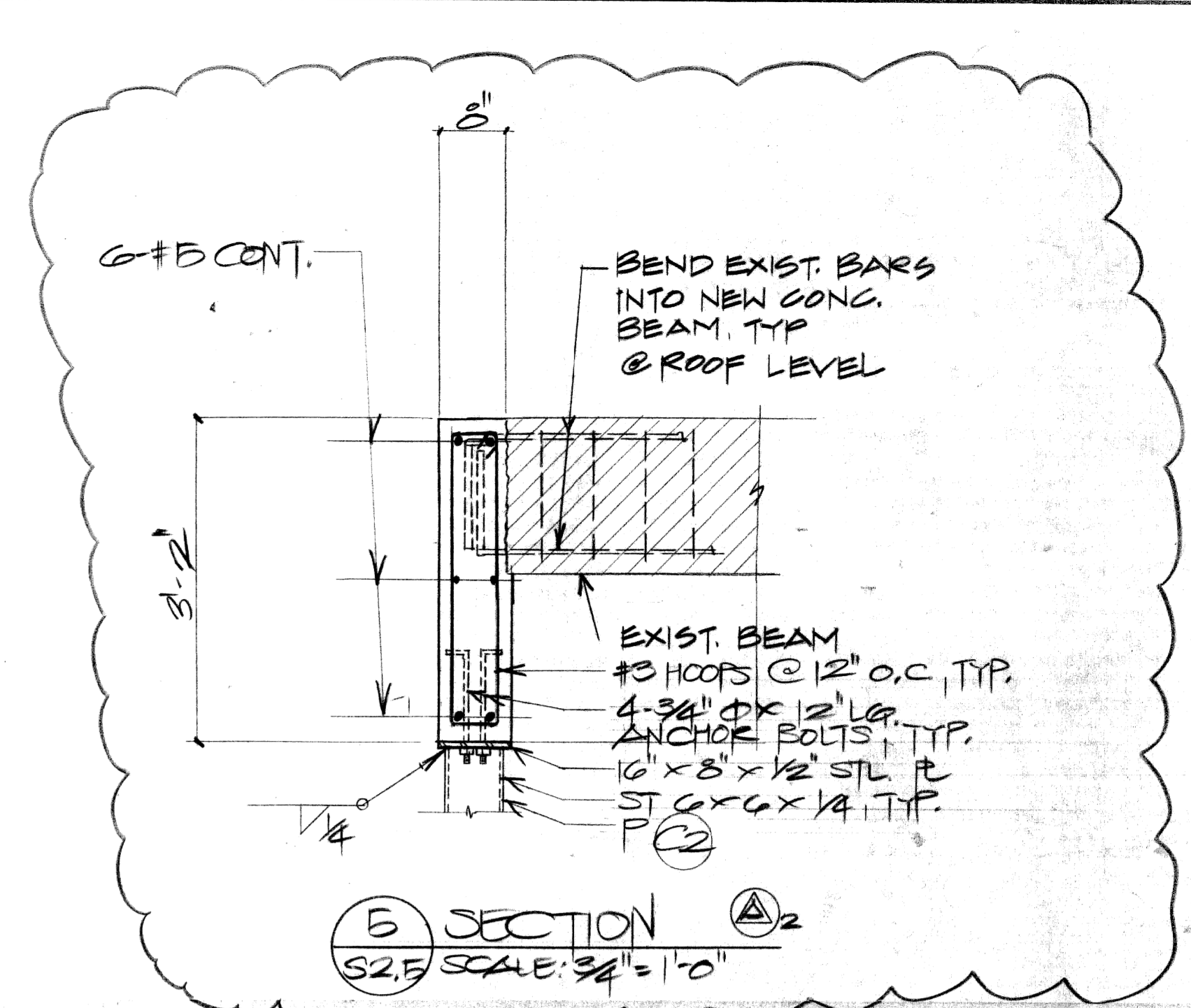
SCALE: AS NOTED
DRAWING NUMBER: **S2.4**
SHEET 25 OF 29



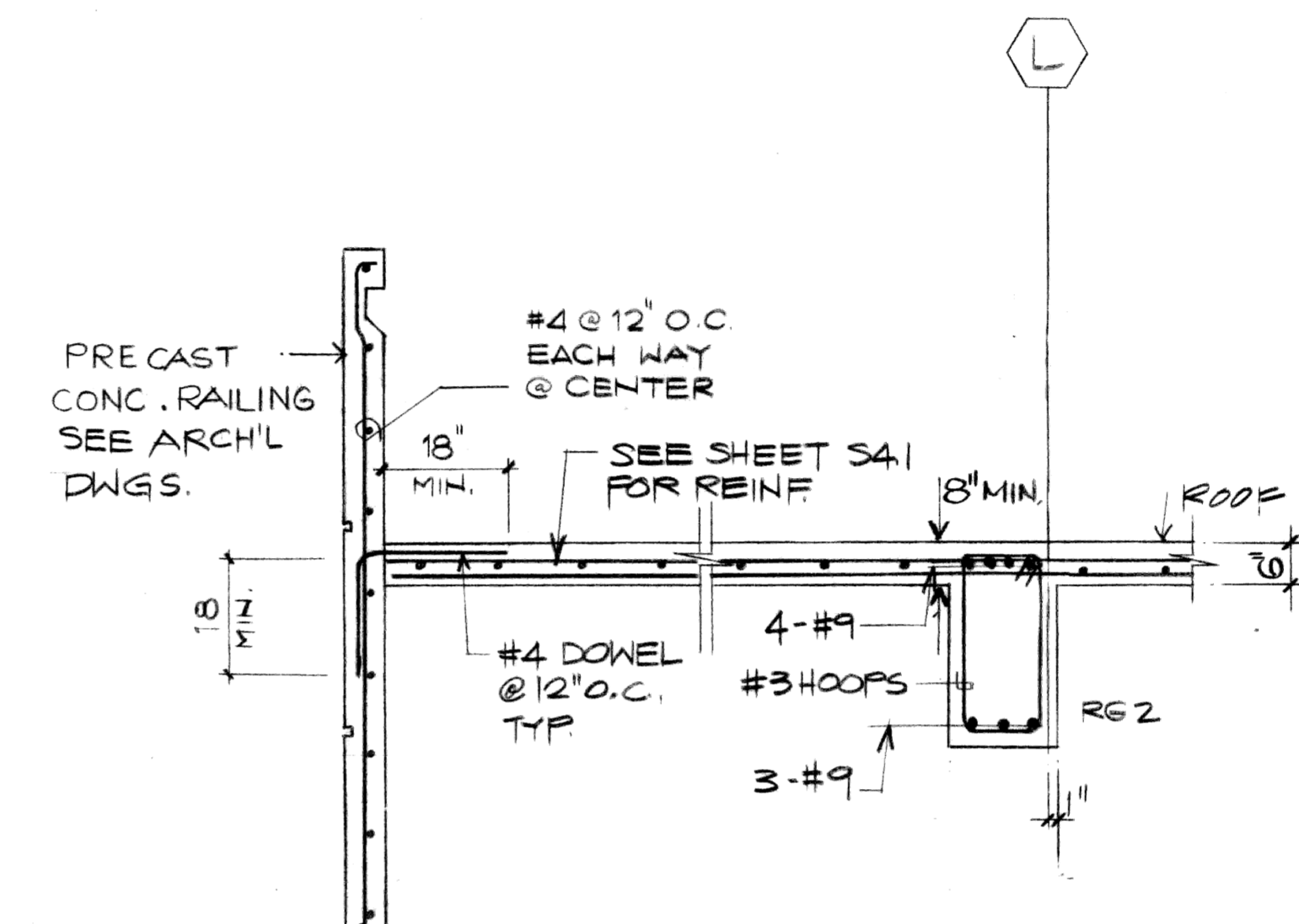
1 ROOF FRAMING PLAN (C-WING)
SCALE: 1/8" = 1'-0"



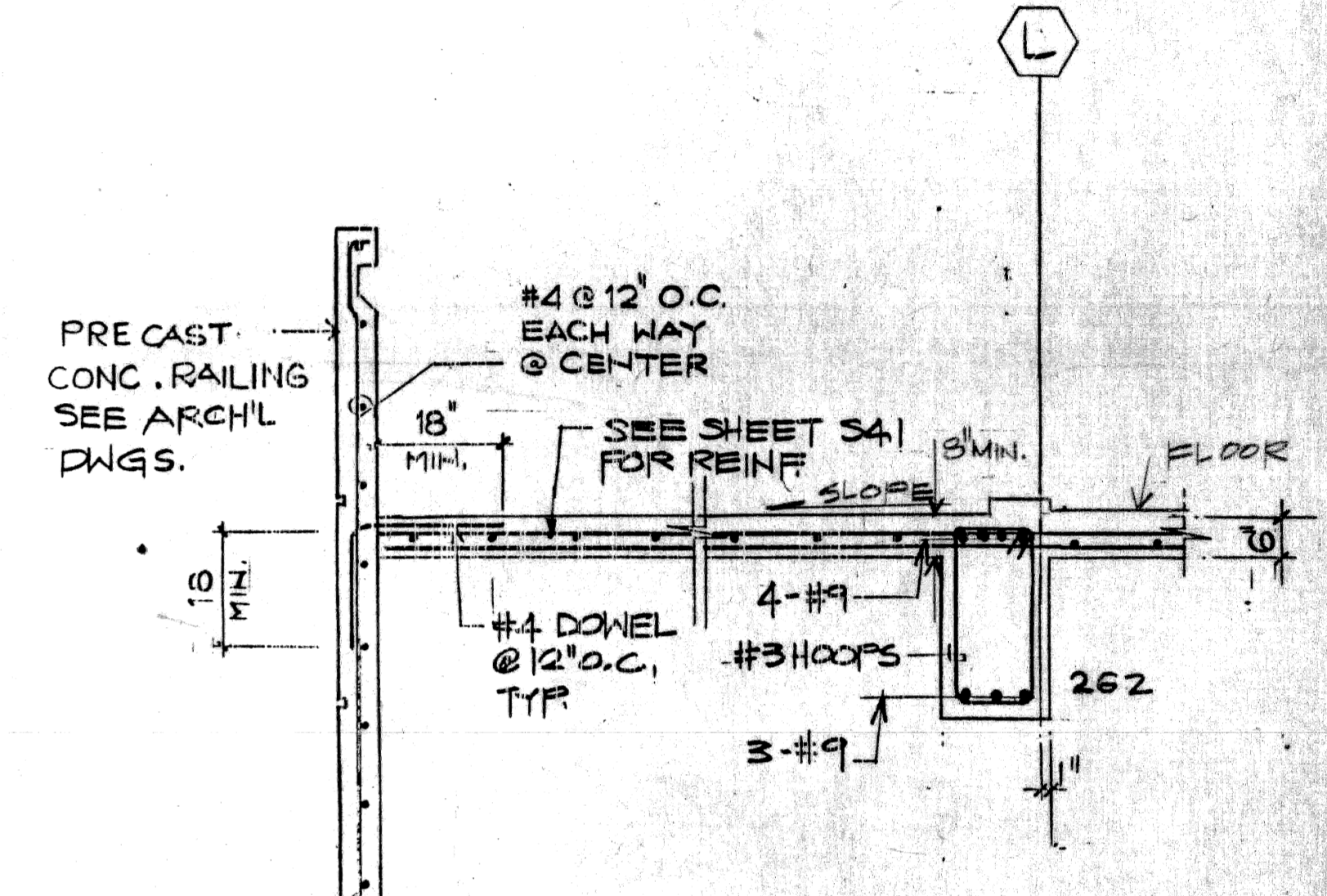
2 SECTION
SCALE: 1/2" = 1'-0"



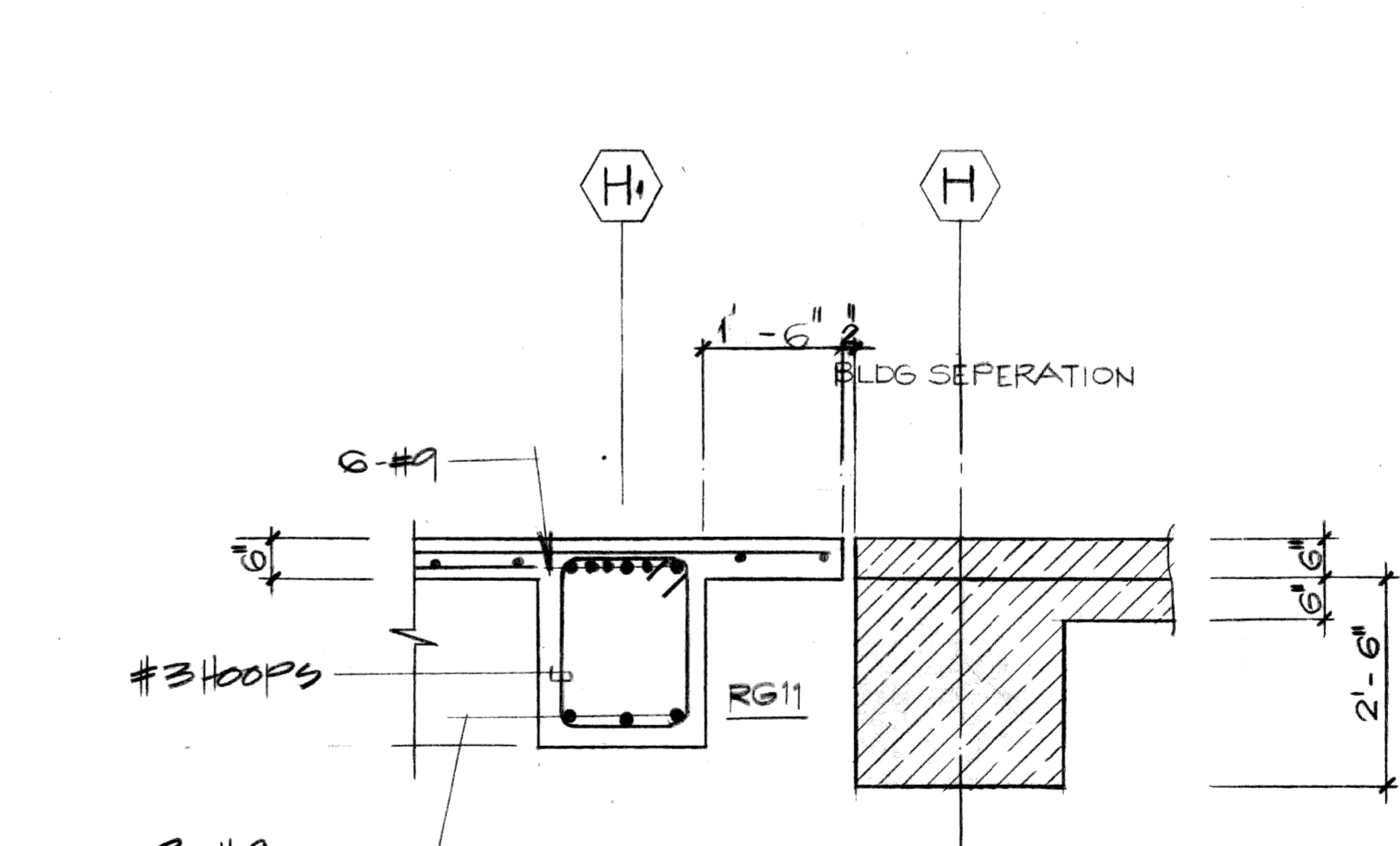
5 SECTION
SCALE: 3/4" = 1'-0"



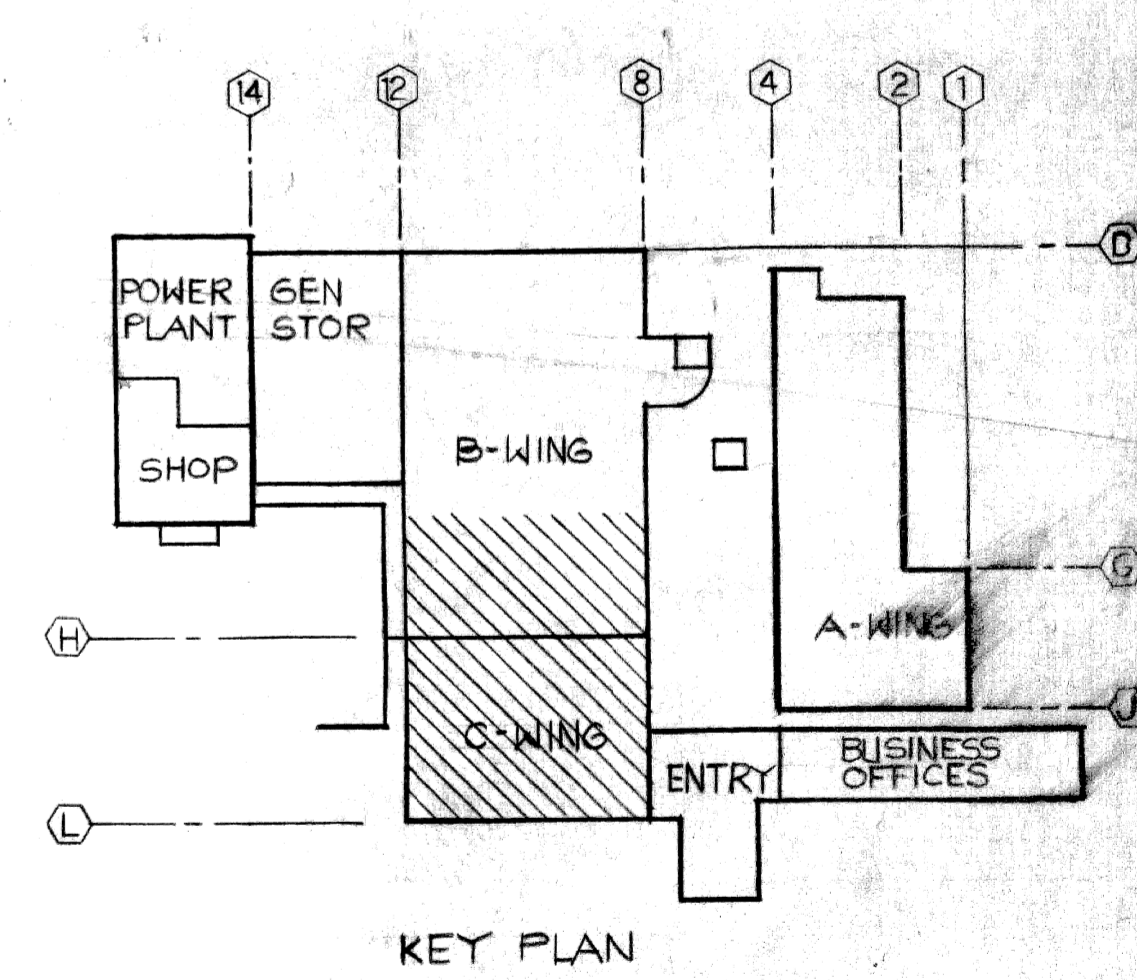
3 SECTION
SCALE: 1/2" = 1'-0"



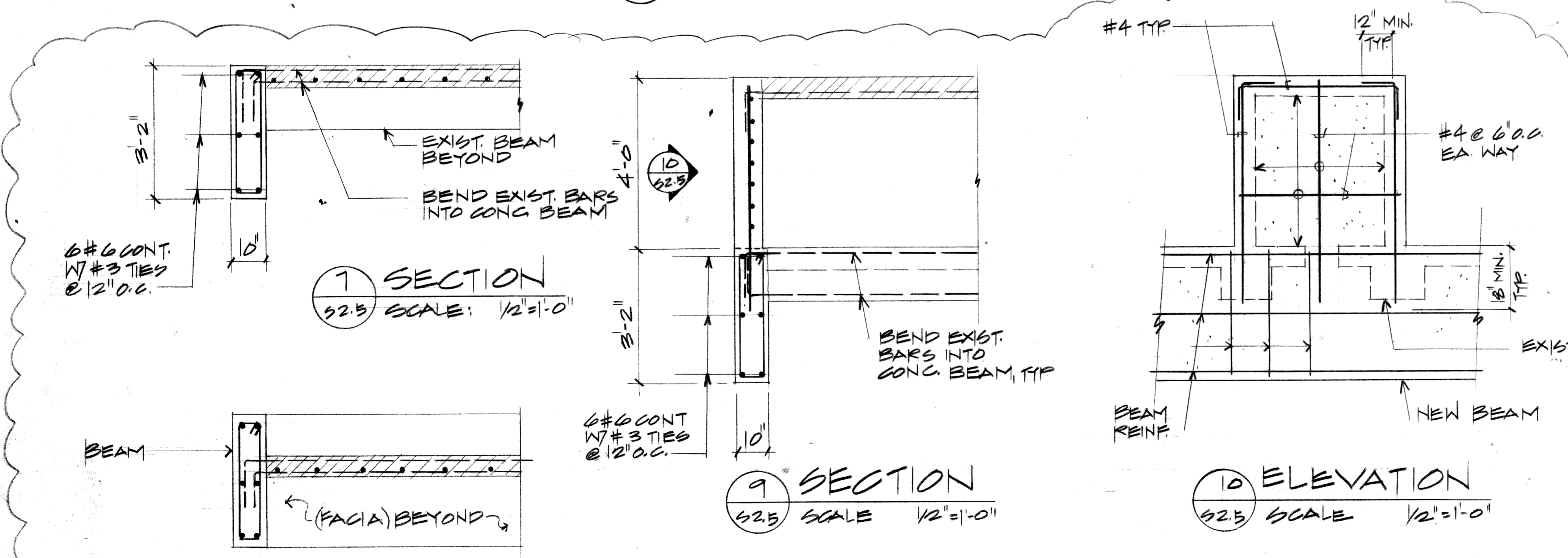
6 SECTION
SCALE: 1/2" = 1'-0"



4 SECTION
SCALE: 1/2" = 1'-0"

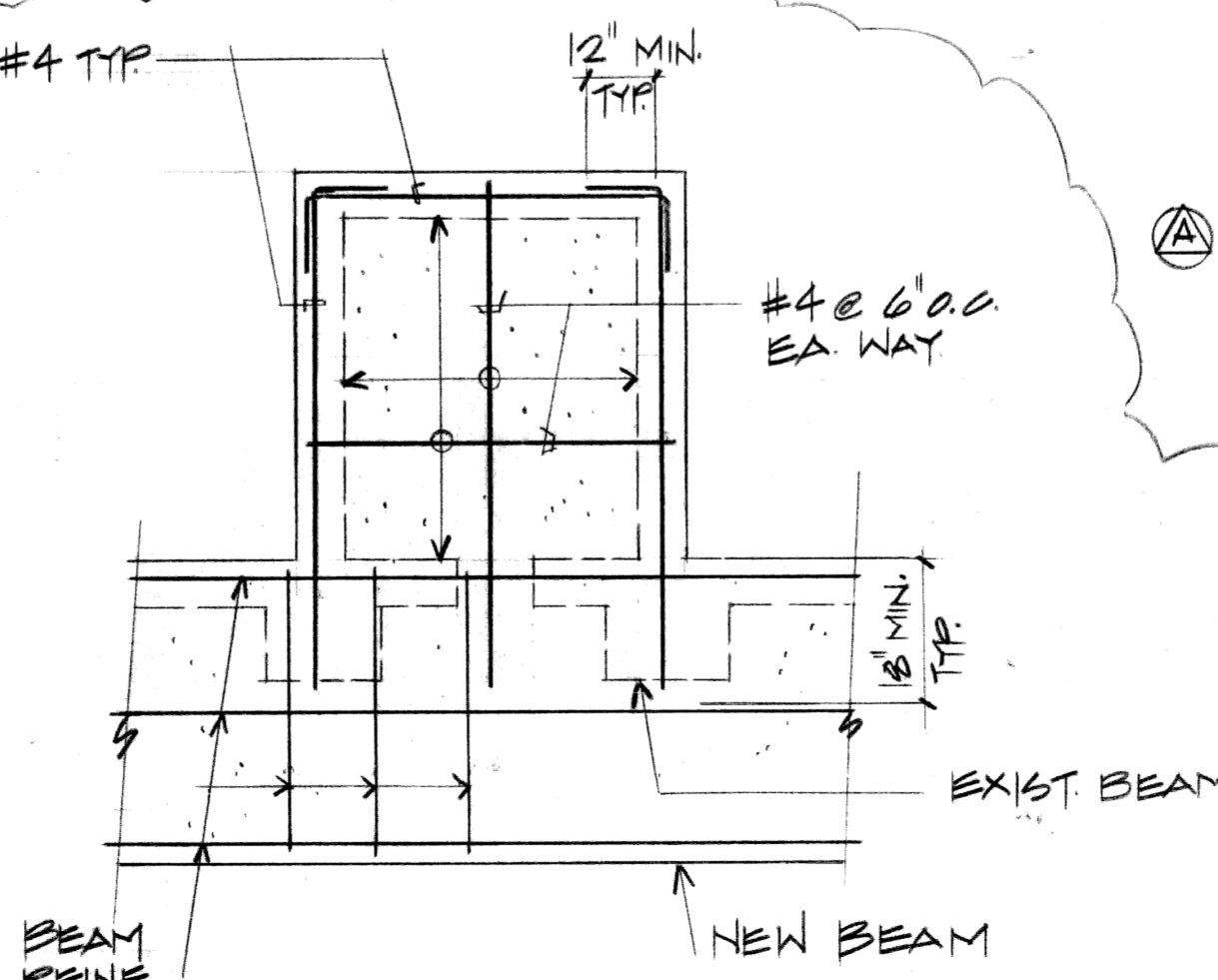


KEY PLAN

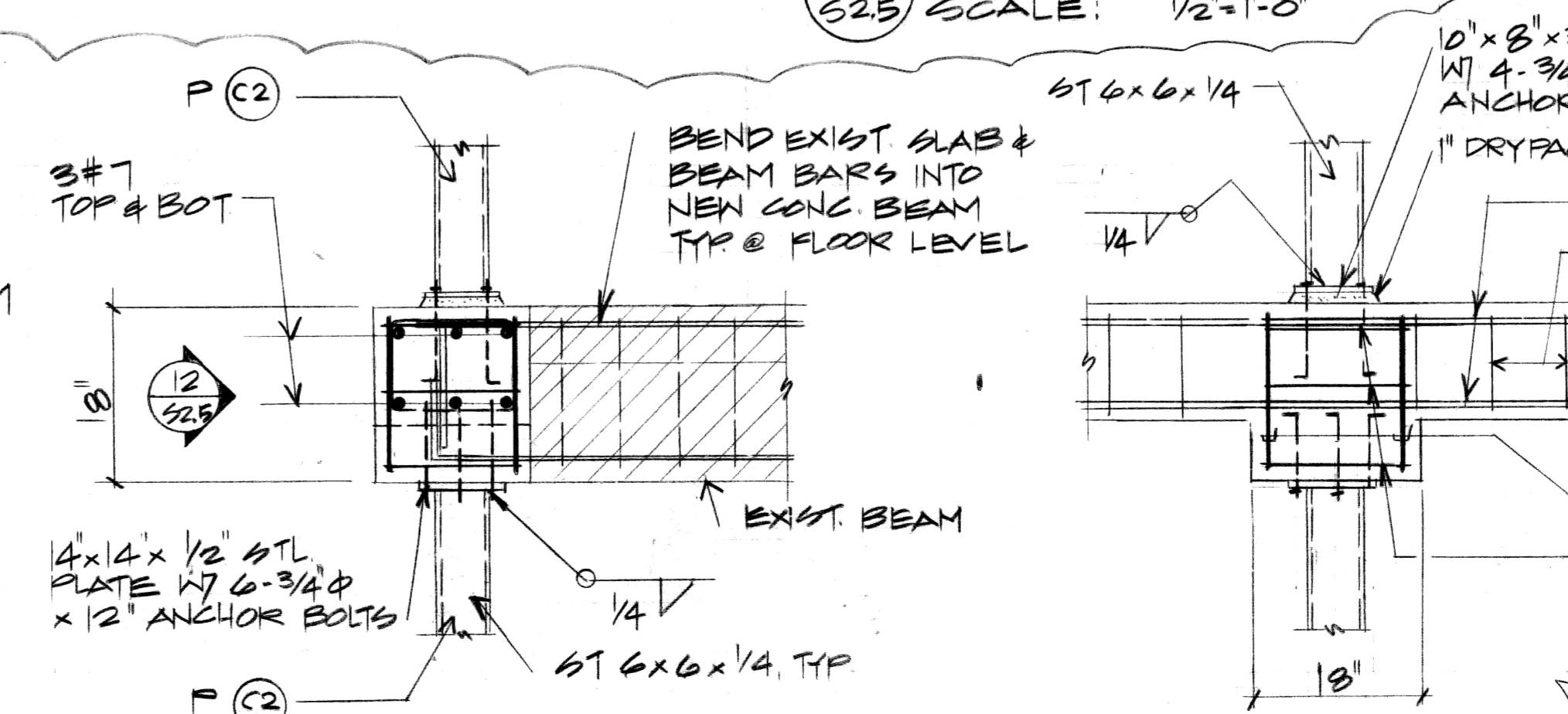


7 SECTION
SCALE: 1/2" = 1'-0"

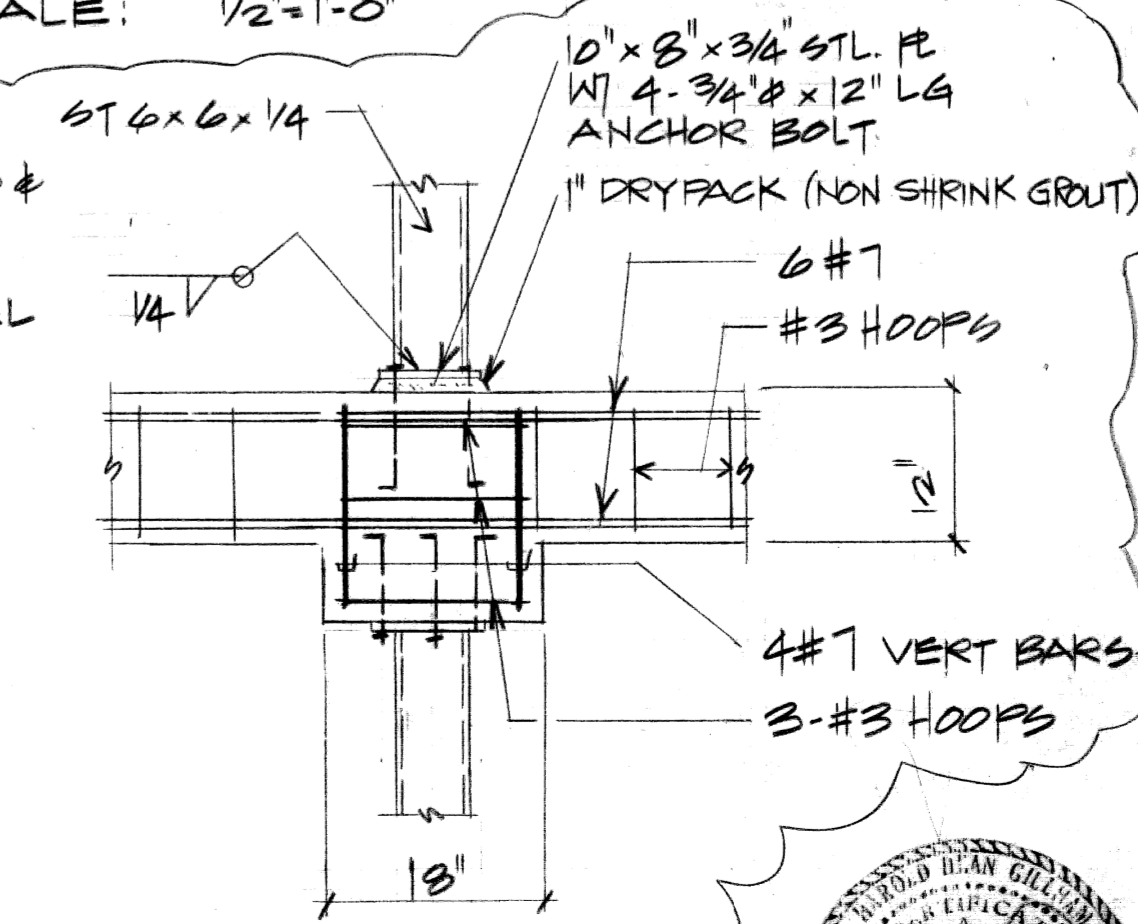
9 SECTION
SCALE: 1/2" = 1'-0"



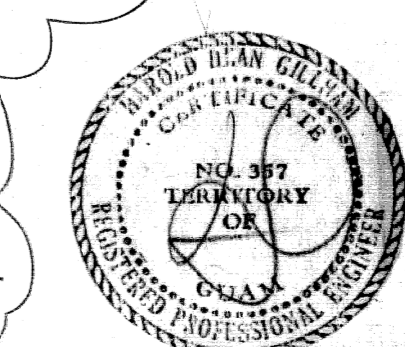
10 ELEVATION
SCALE: 1/2" = 1'-0"



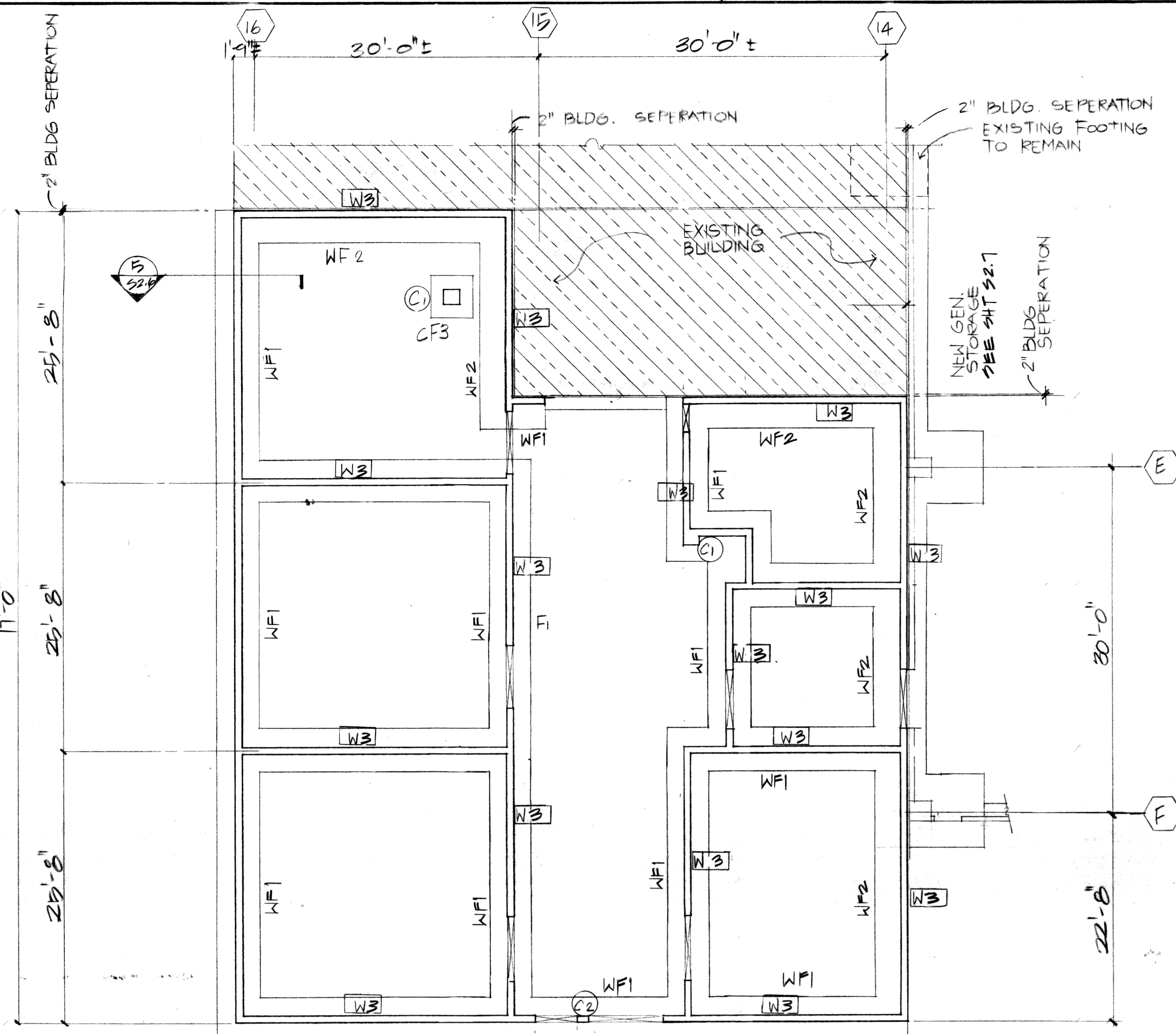
11 SECTION
SCALE: 3/4" = 1'-0"



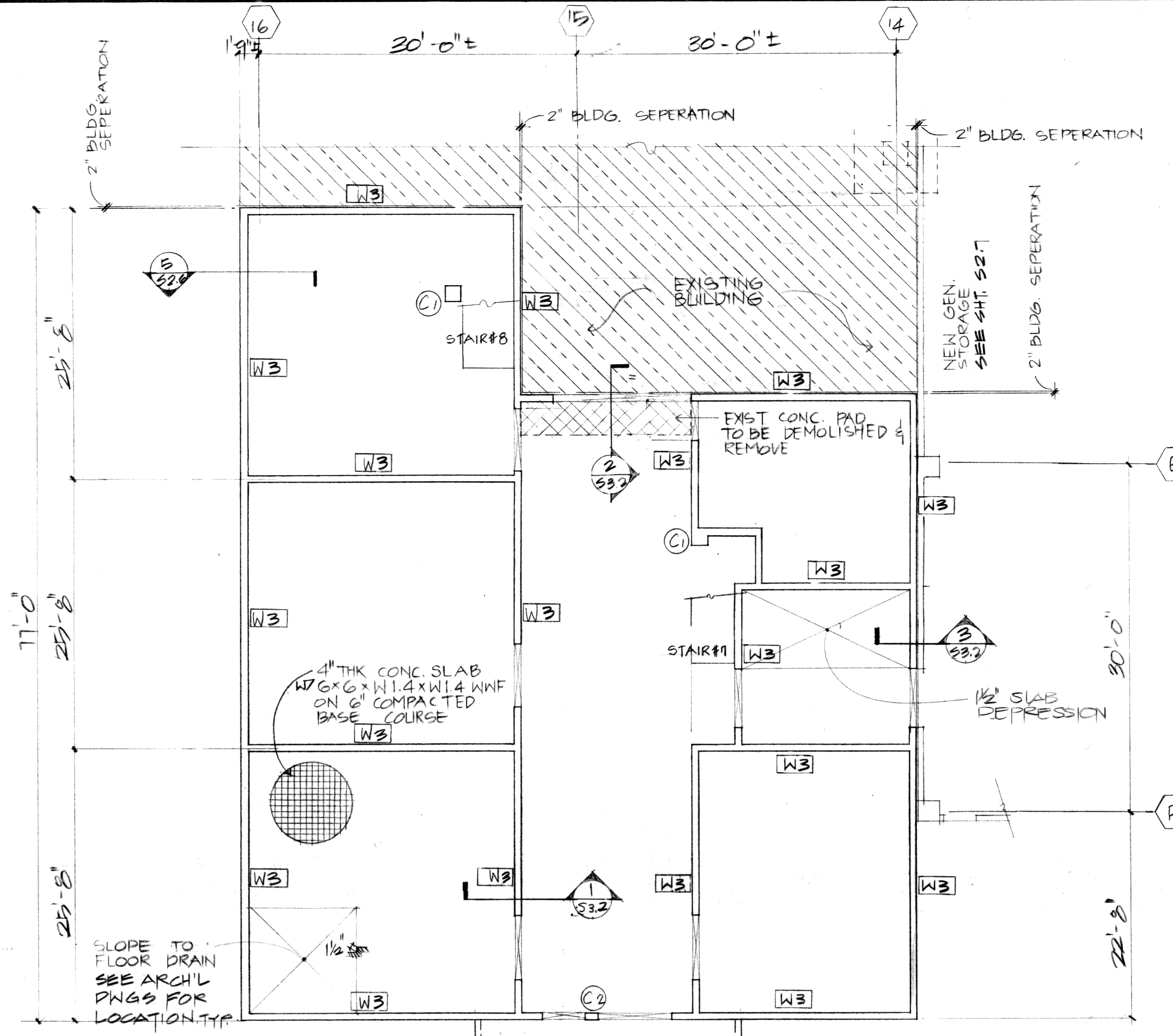
12 ELEVATION
SCALE: 3/4" = 1'-0"



REVISION	DATE	DESCRIPTION	DRAWN	APPROVED
1-2	4-14-89	REVISIONS	AM	R
GOVERNMENT OF GUAM Department of Public Works				
PROJECT: 90-5018-F-1211			DATE: 23-MAR-89	DESIGNED BY: DG
UP GRADING and EXPANSION OF THE GUAM MEMORIAL HOSPITAL			DRAWN BY: AM	CHECKED BY: DG
TAMUNING, PACKAGE III, IV & V GUAM			SUPV. BY: DG	PROJECT MANAGER: [Signature]
DESCRIPTION OF DRAWING: ROOF FRAMING PLAN & SECTIONS (C-WING)				
RECOMMENDED BY: [Signature]	DATE: 4/3/89	SECTION MANAGER: [Signature]		
ARCHITECT: Taniguchi-Ruth & Associates	CONSULTING ARCHITECT: Rex Whitaker Allen, FAIA	SCALE: AS NOTED		
100 Chit Business Center, Agaña, Guam 96910	San Francisco, CA	DRAWING NUMBER: S25	SHEET 12 OF 21	

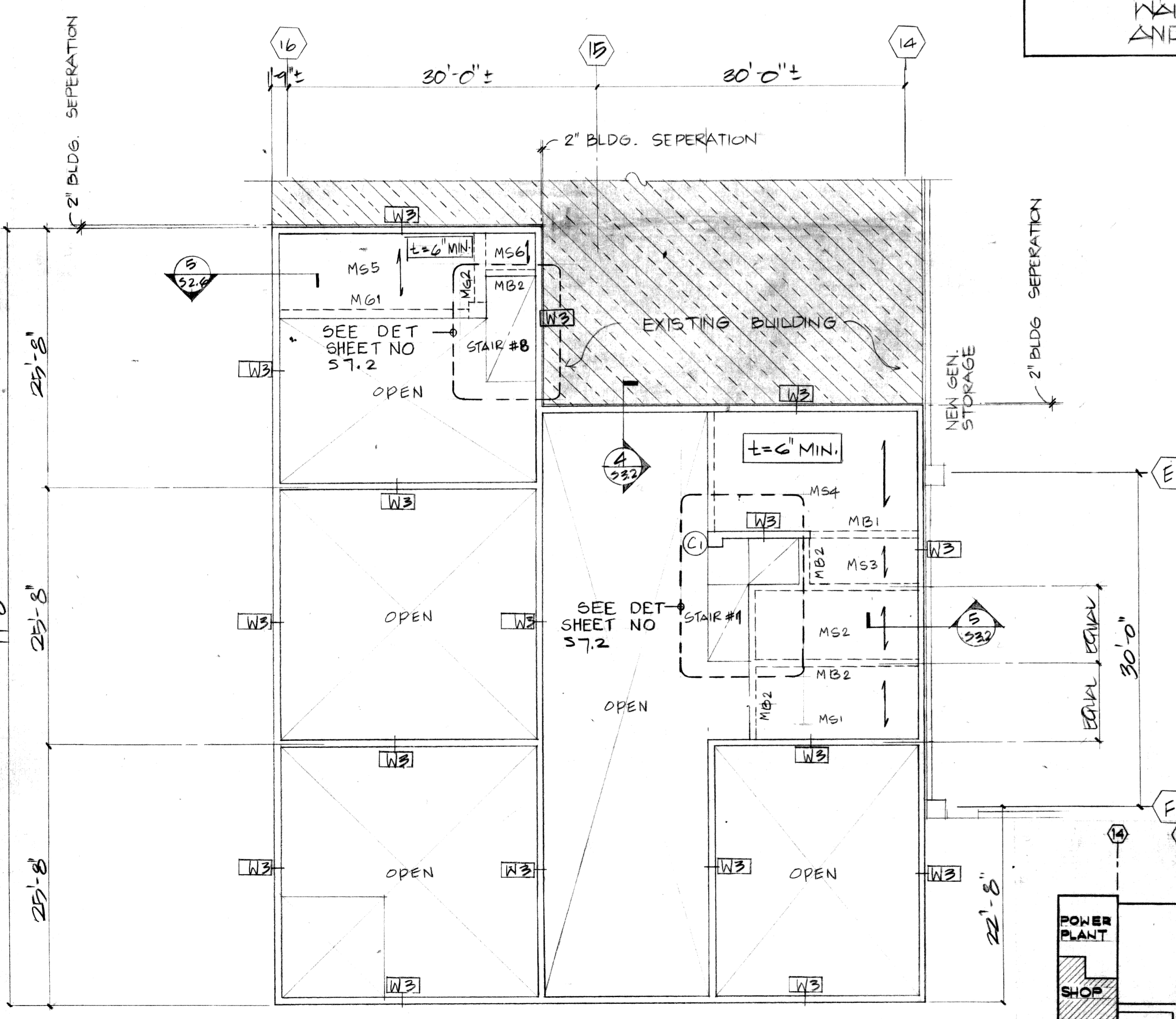


1 FOUNDATION PLAN (SHOPS)
SCALE: 1/8" = 1'-0"

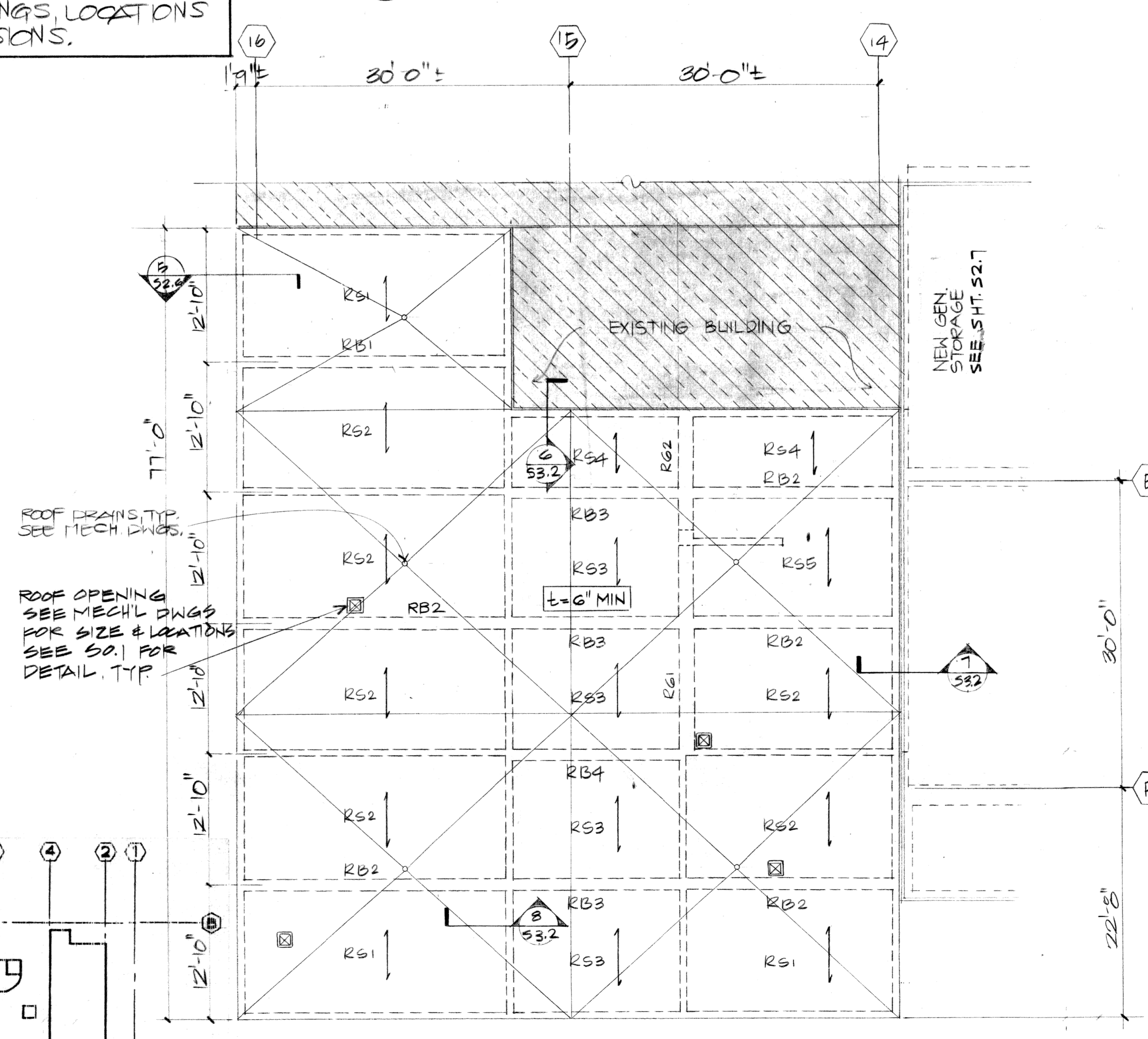


2 GROUND FLOOR FRAMING PLAN (SHOPS)
SCALE: 1/8" = 1'-0"

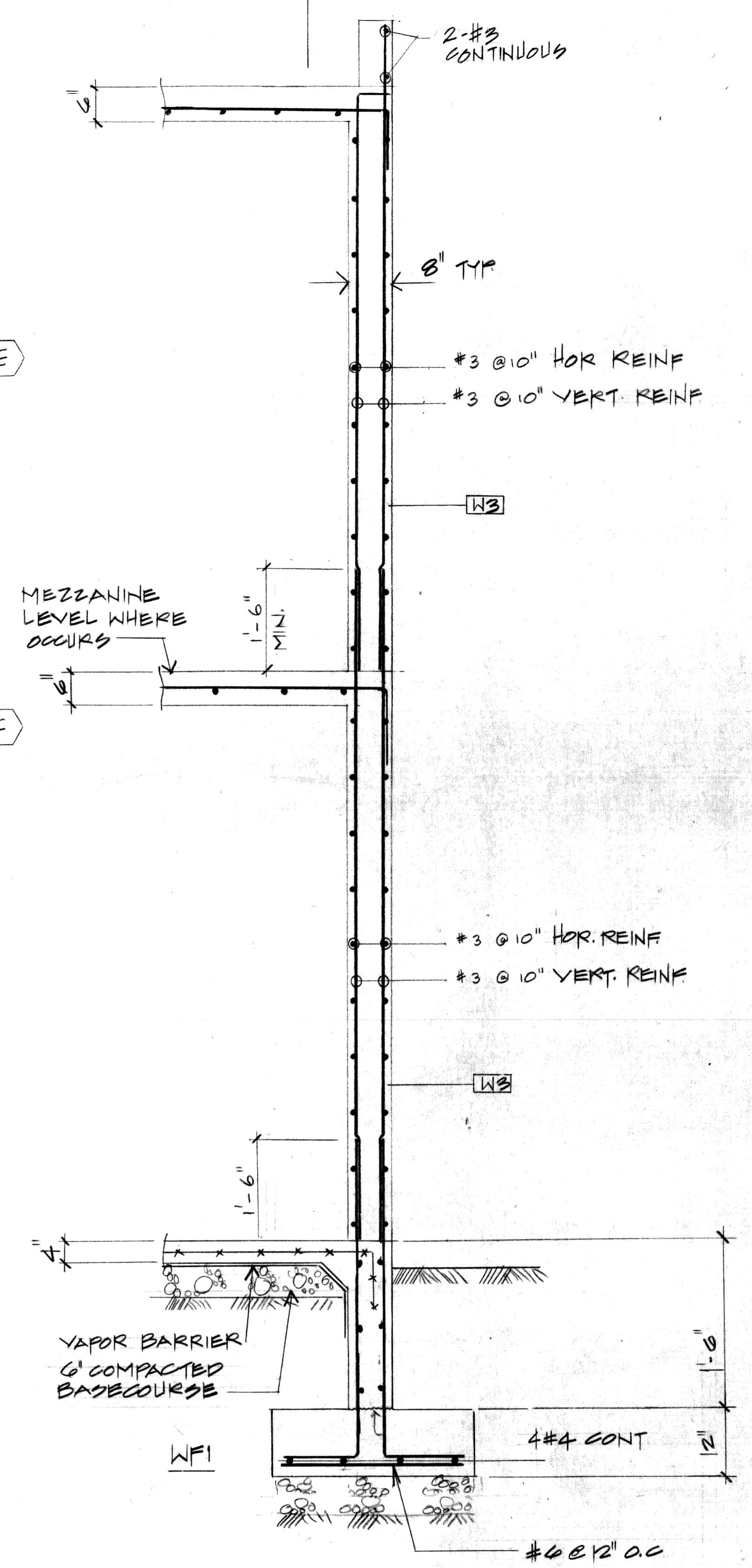
NOTE: REFER TO ARCH. DWGS. FOR DOOR, WINDOW AND WALL OPENINGS, LOCATIONS AND DIMENSIONS.



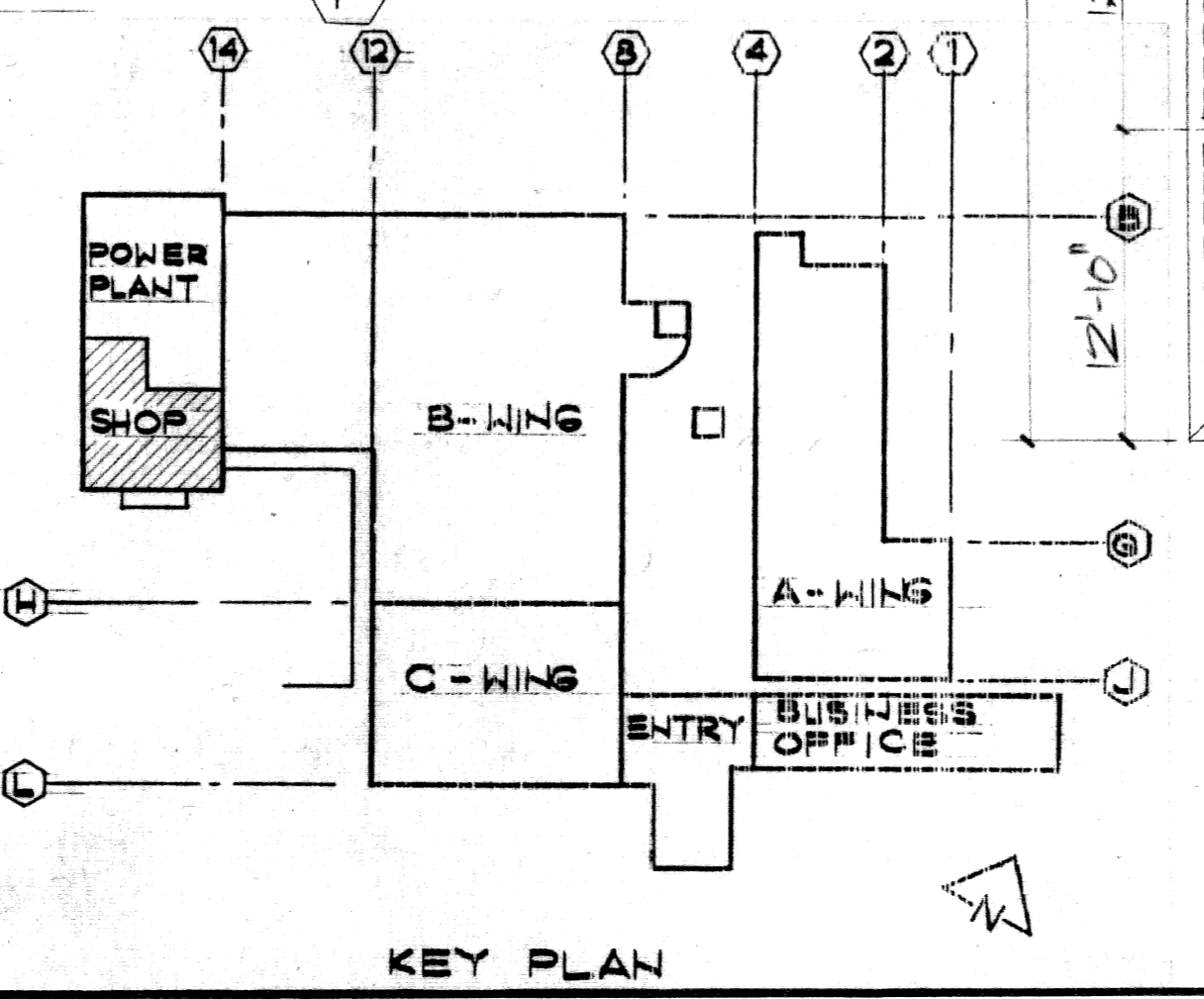
3 MEZZ. FLOOR FRAMING PLAN (SHOPS)
SCALE: 1/8" = 1'-0"



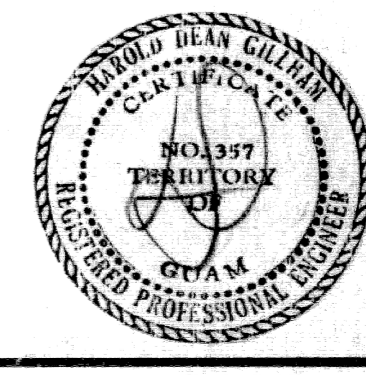
4 ROOF FRAMING PLAN (SHOPS)
SCALE: 1/8" = 1'-0"



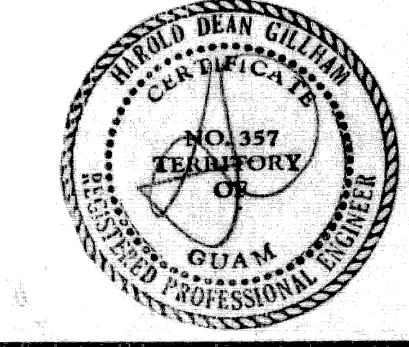
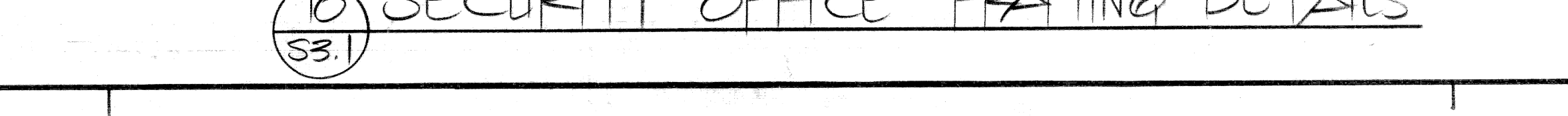
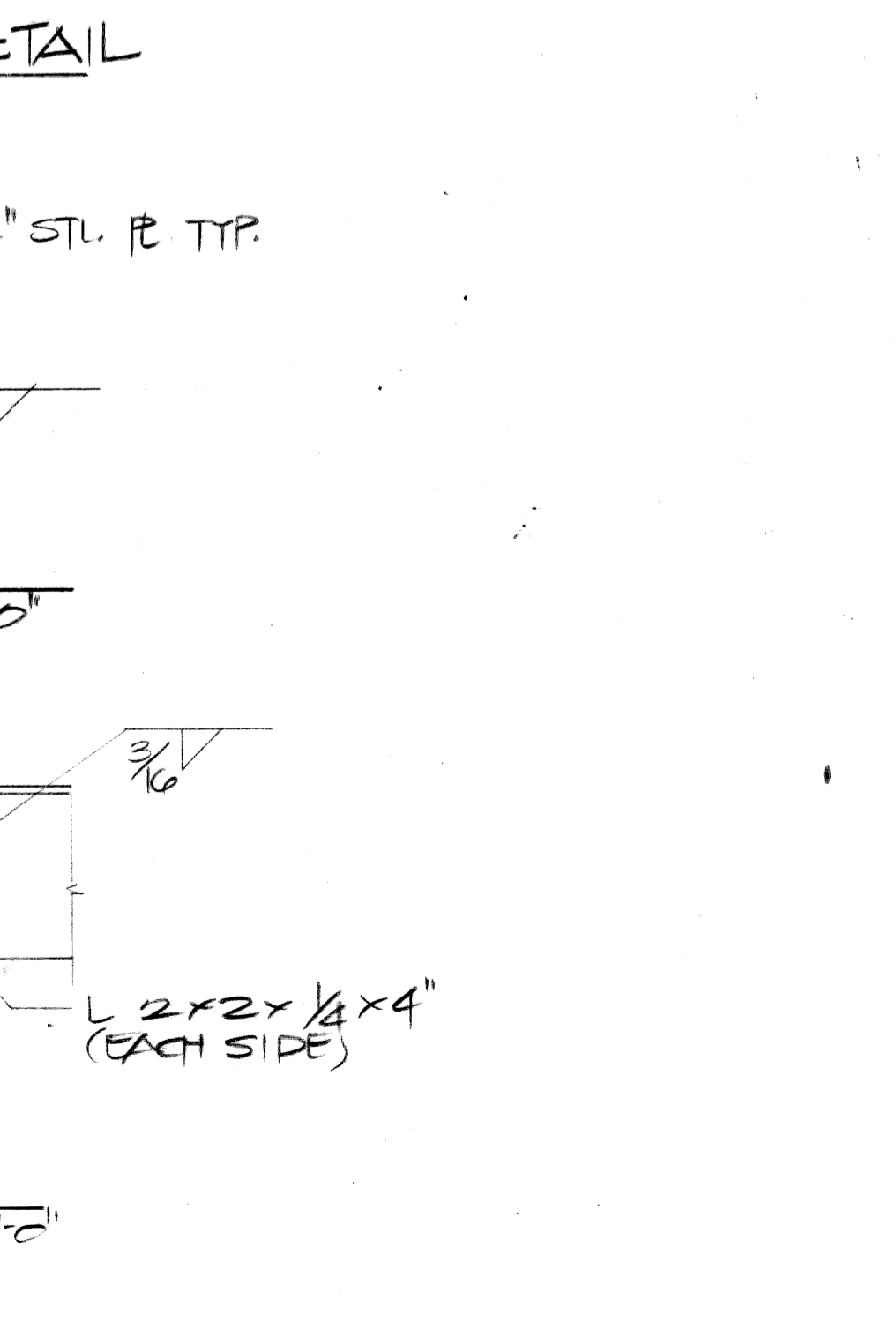
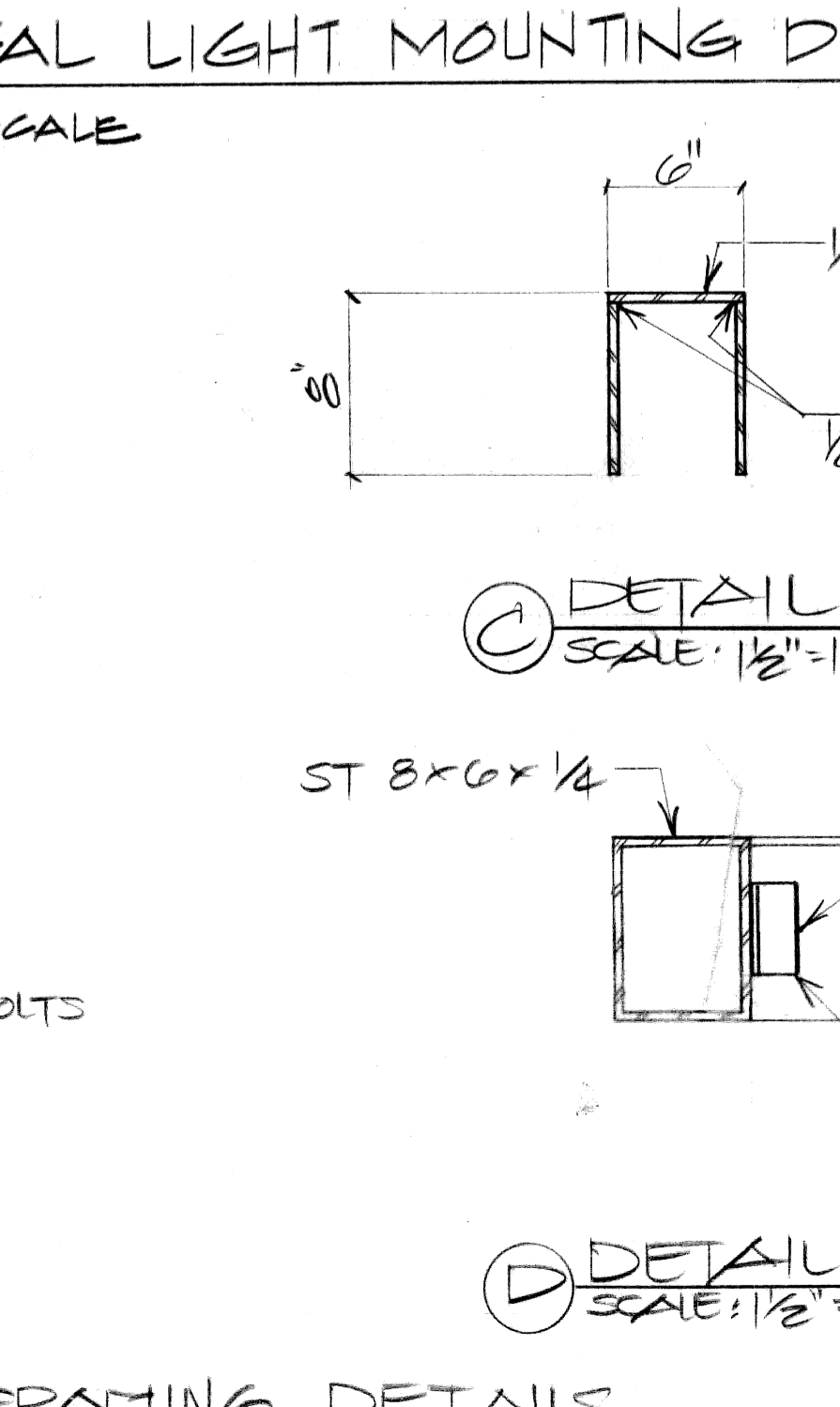
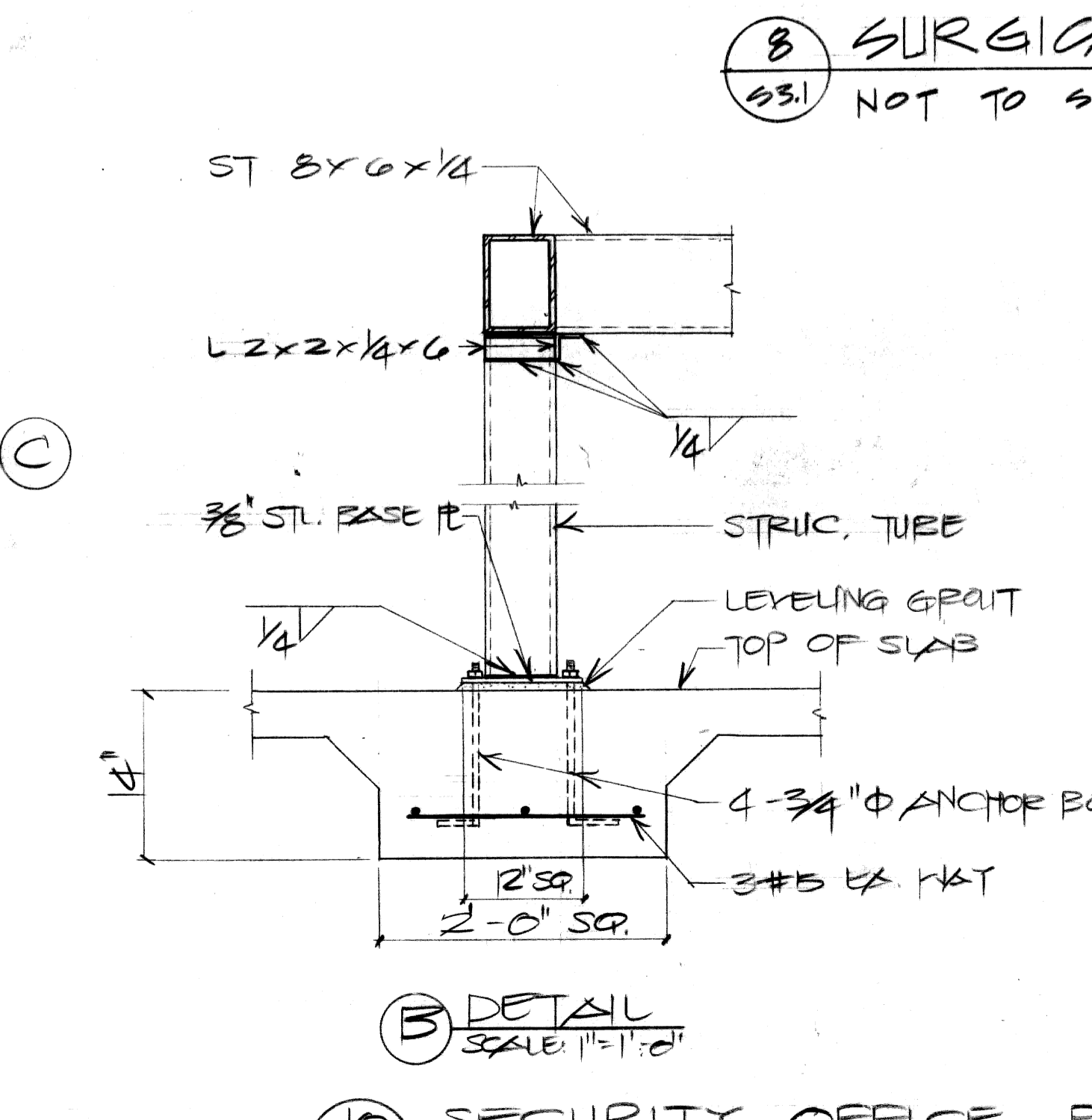
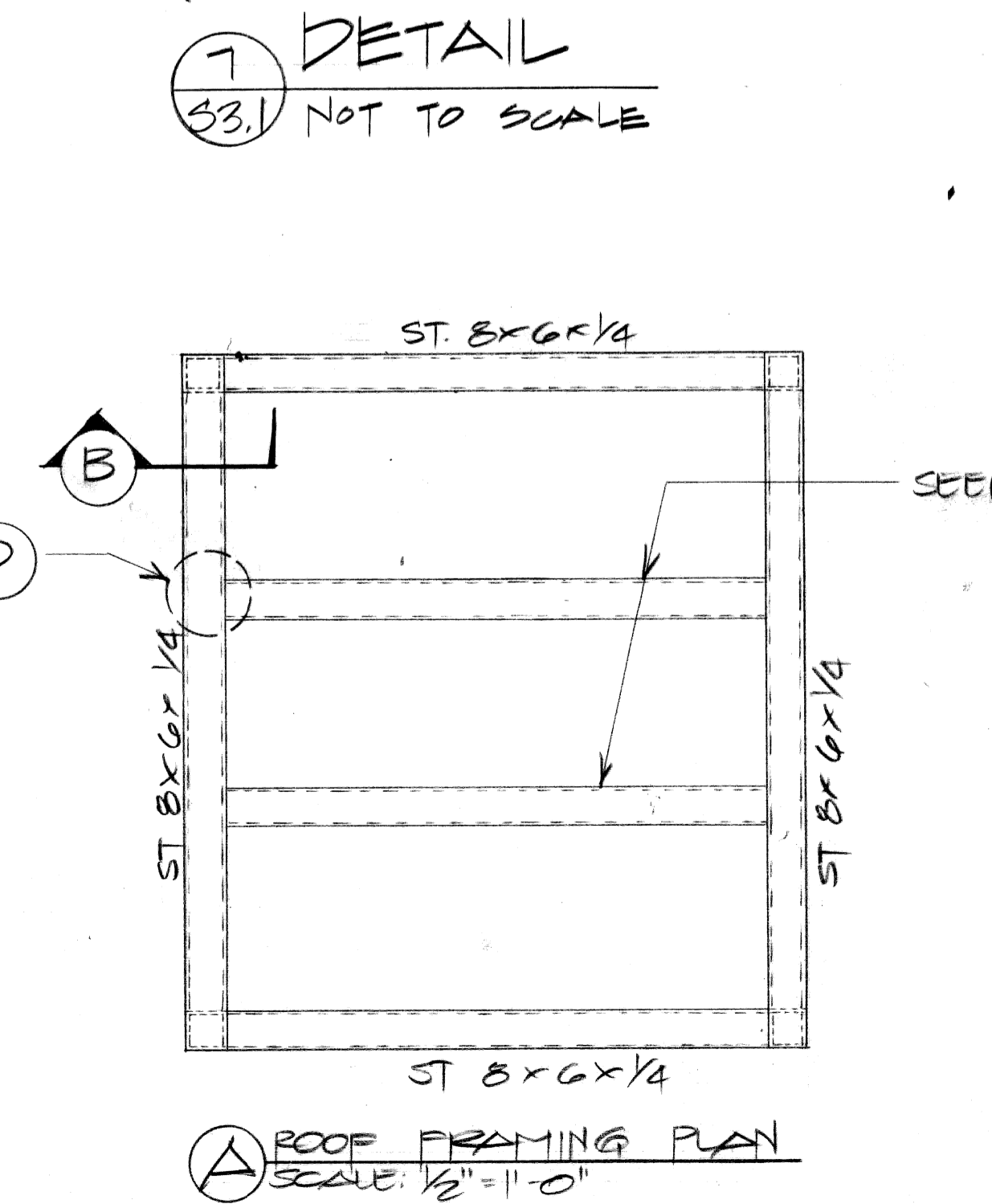
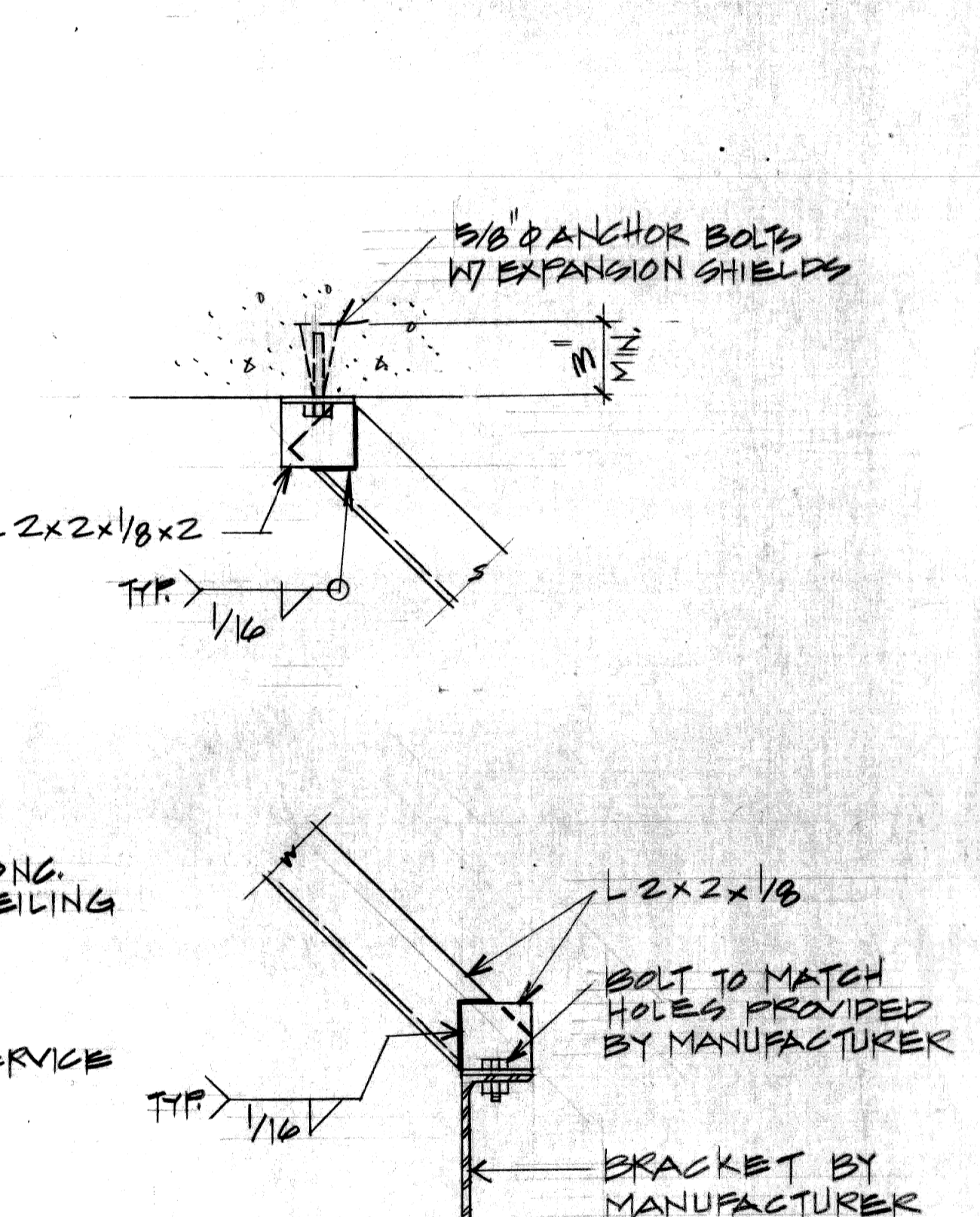
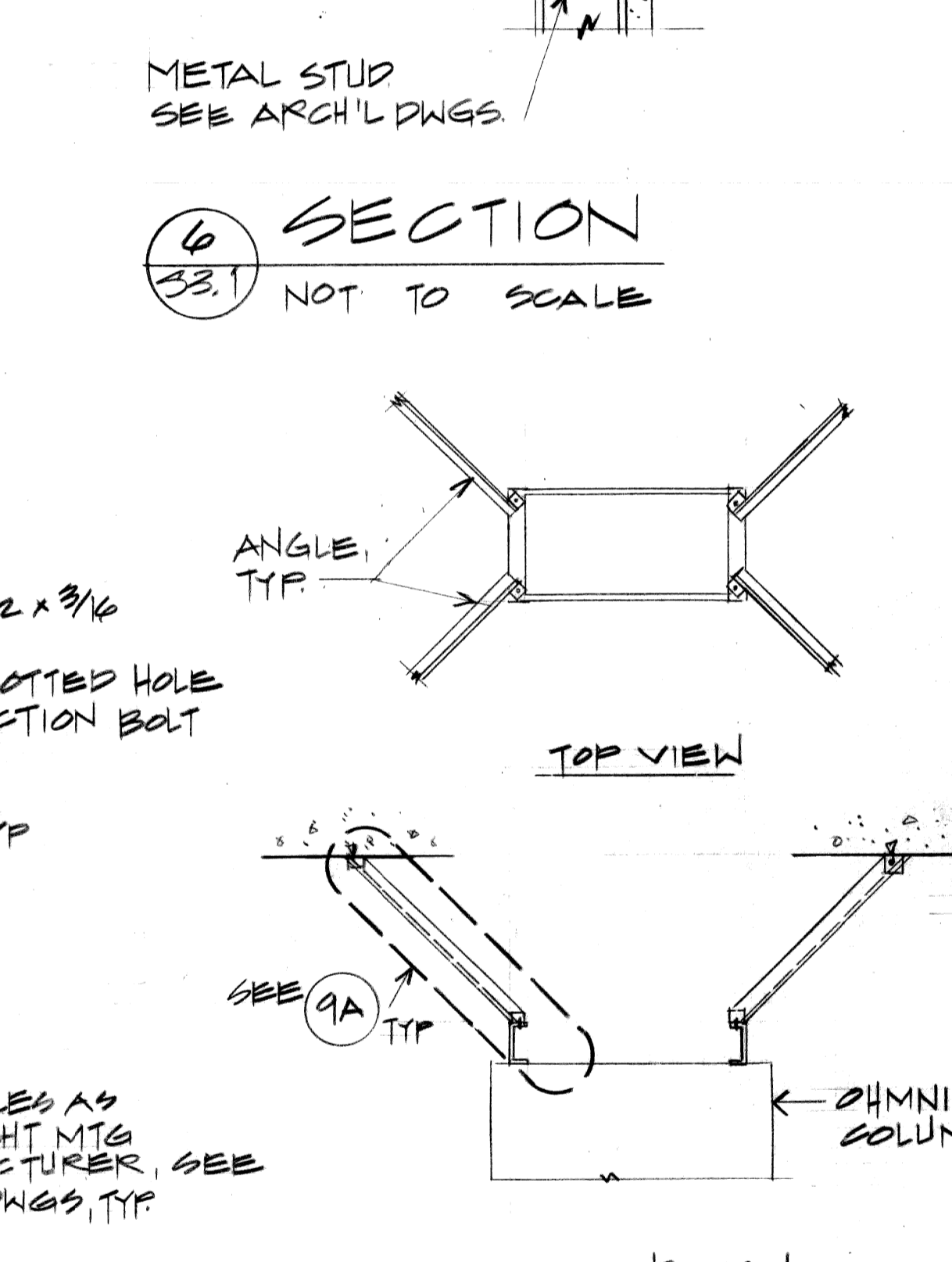
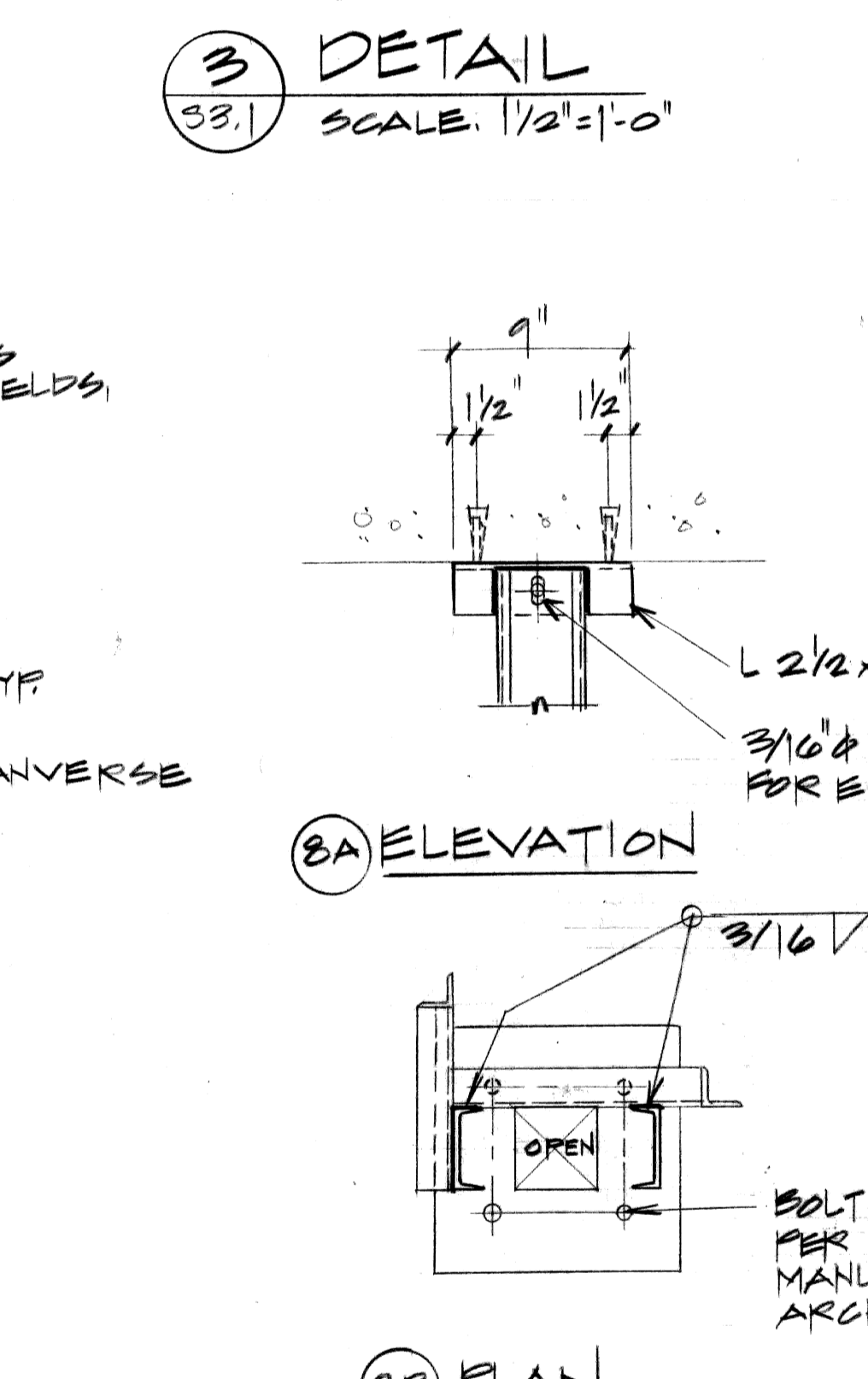
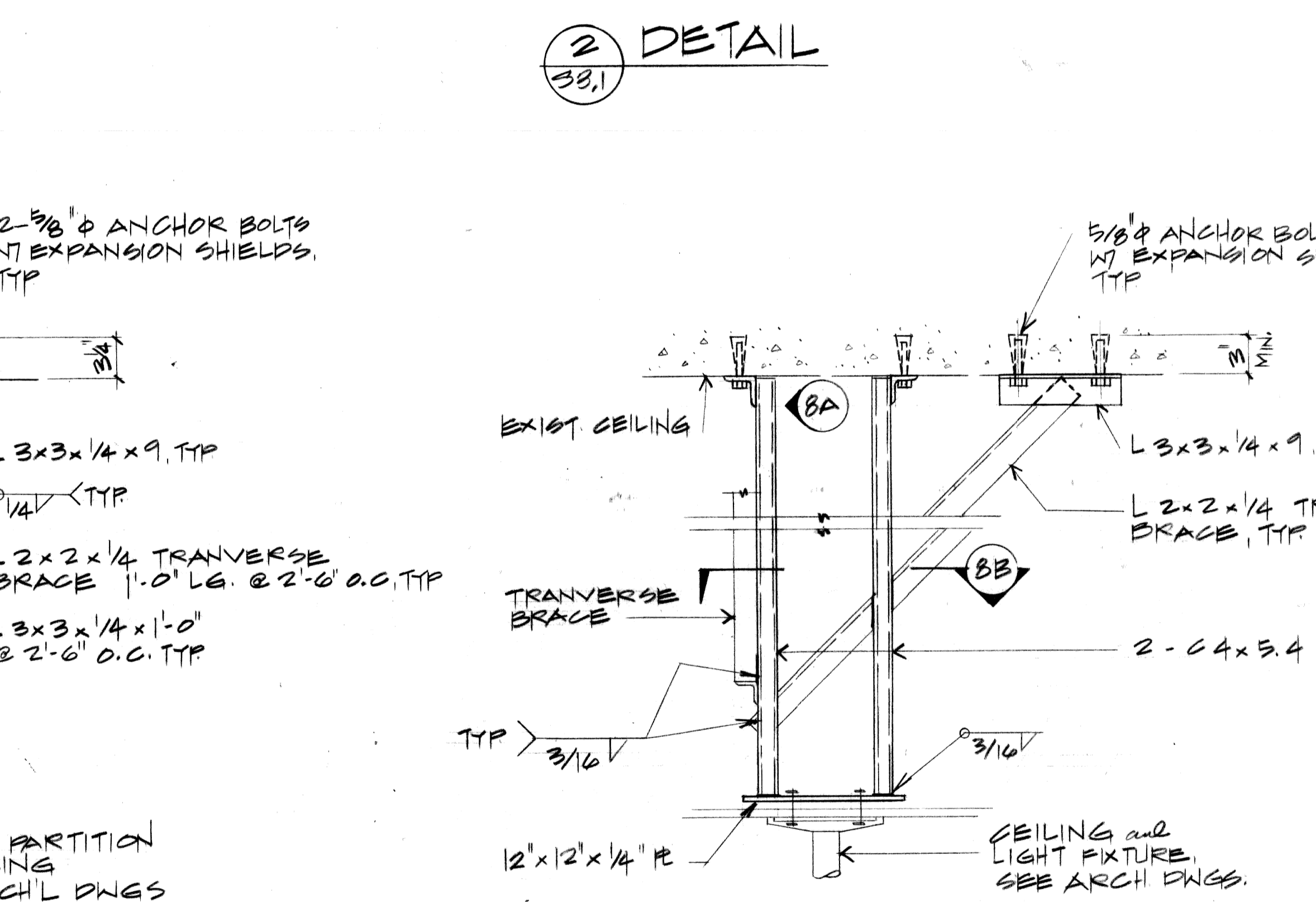
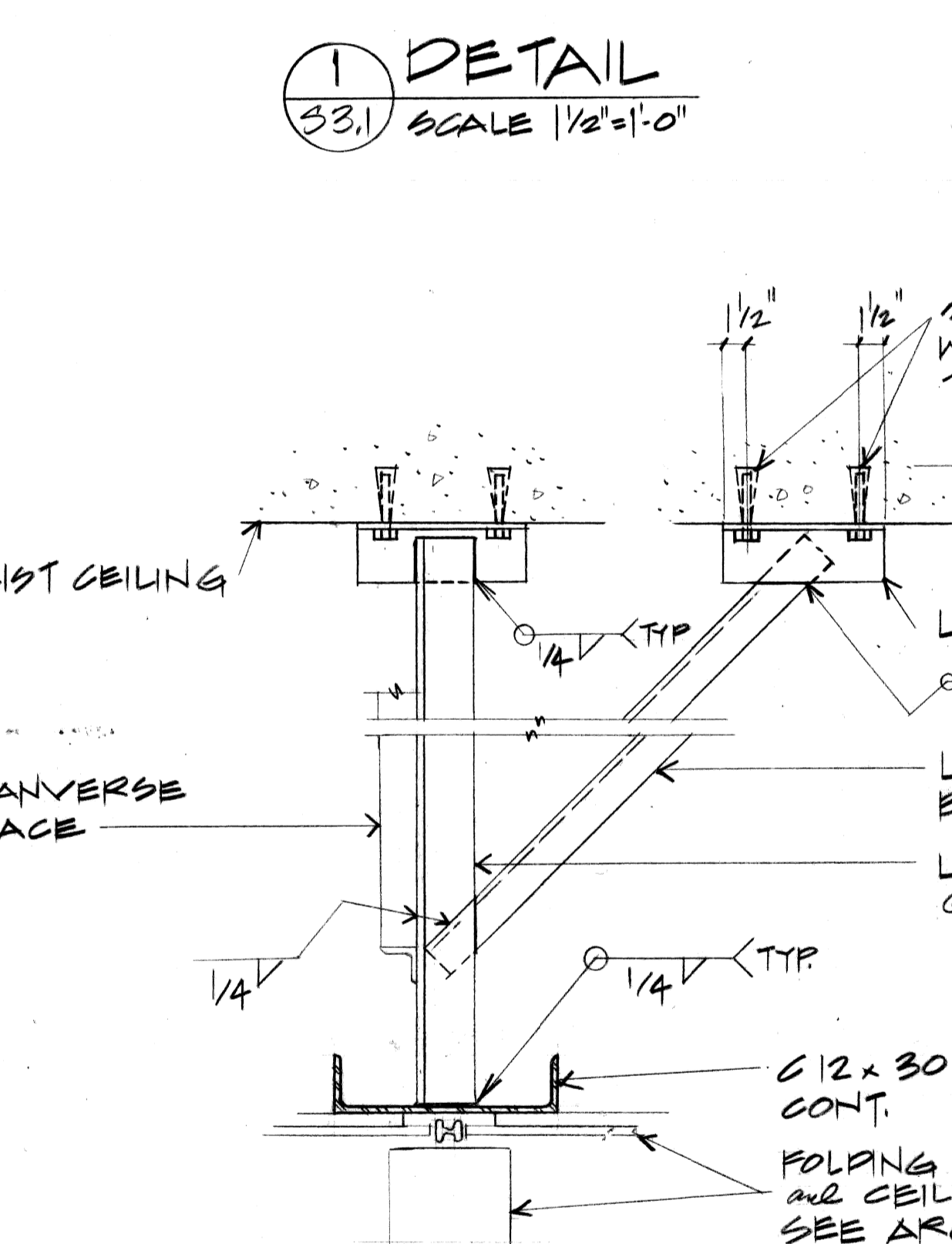
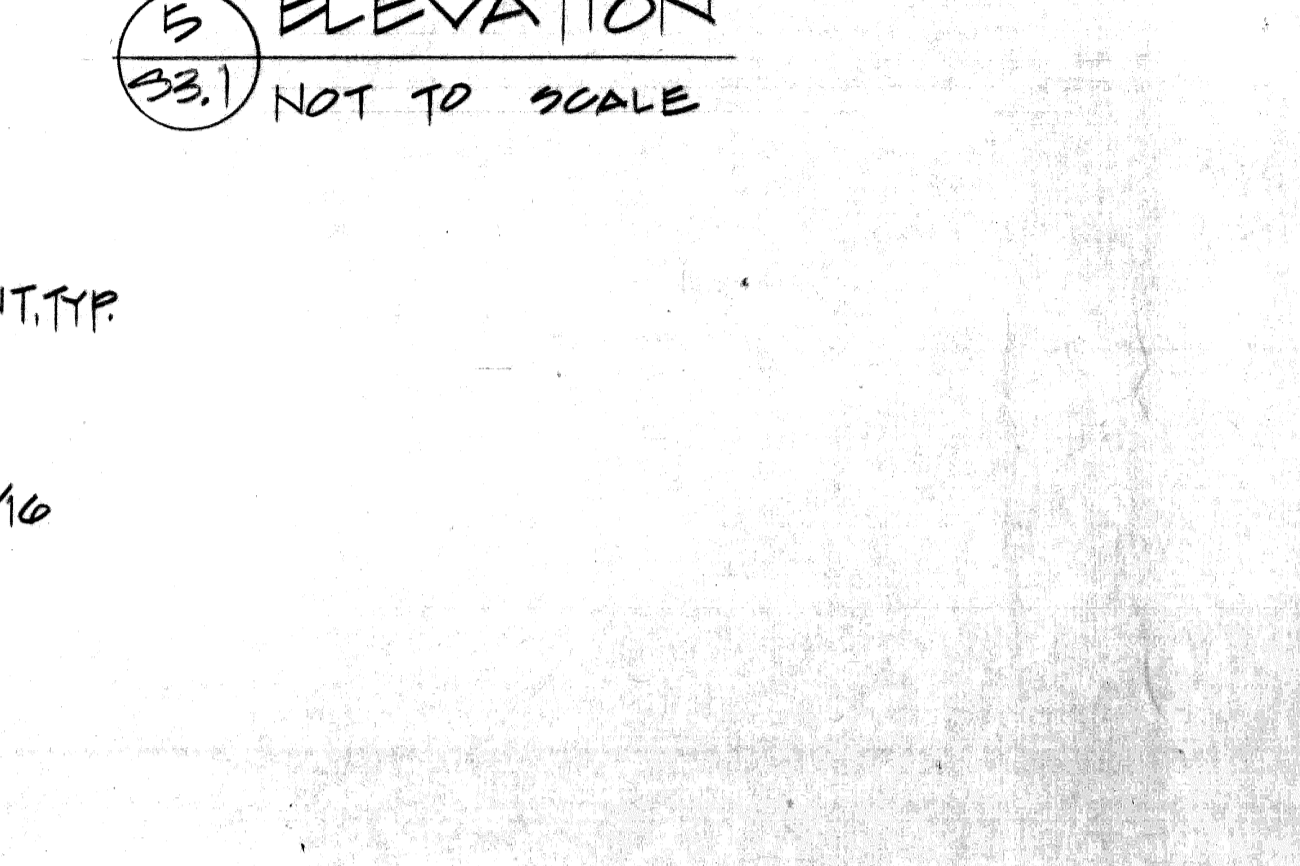
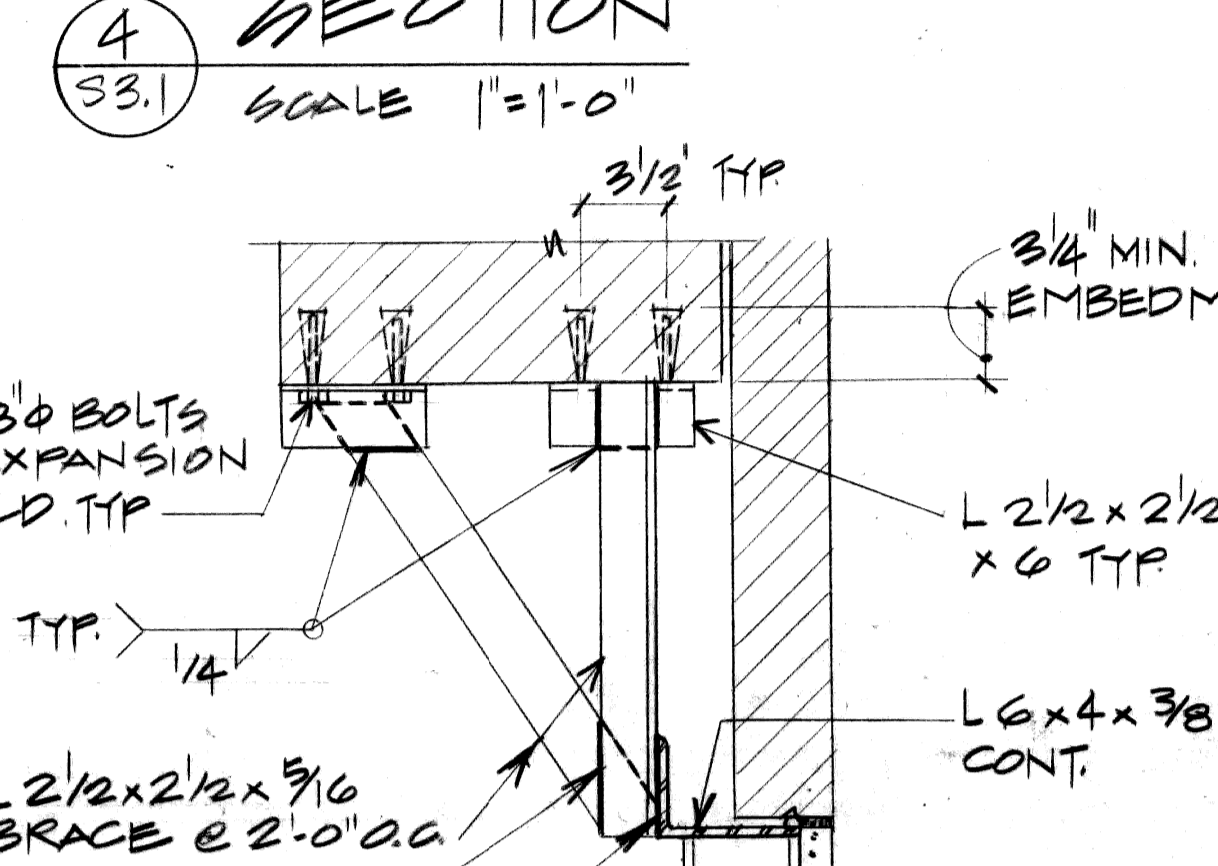
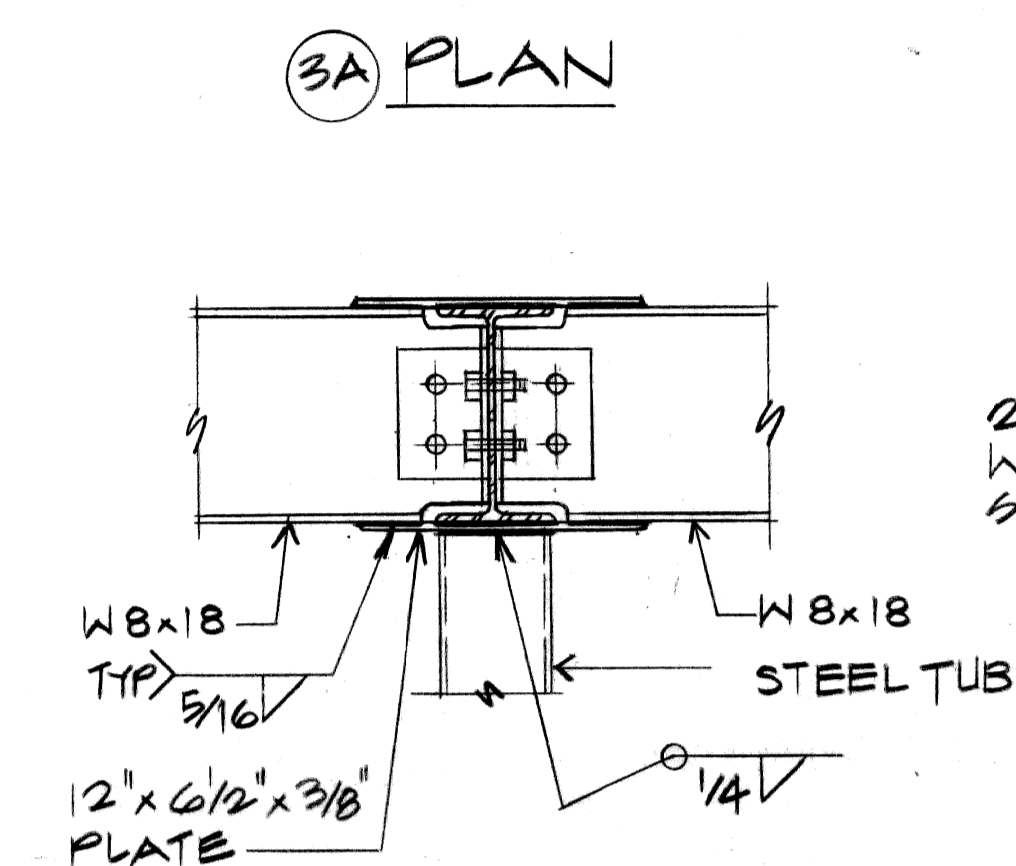
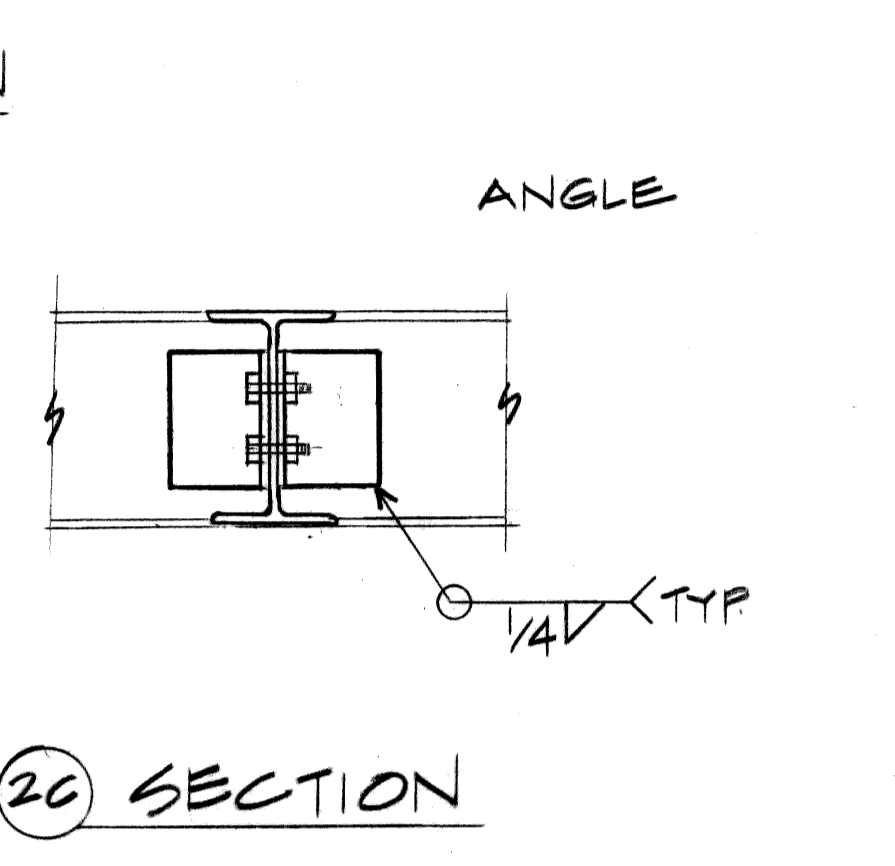
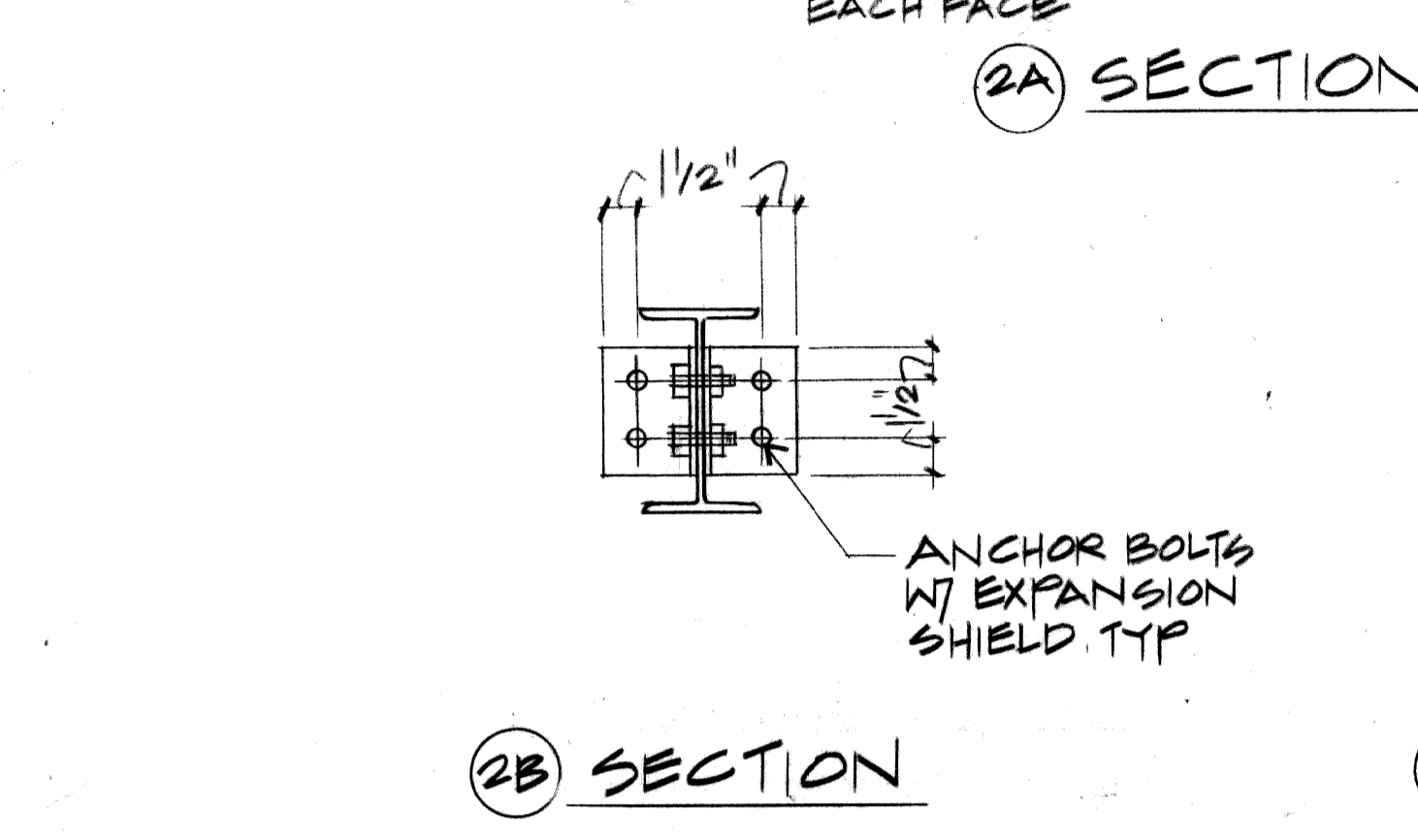
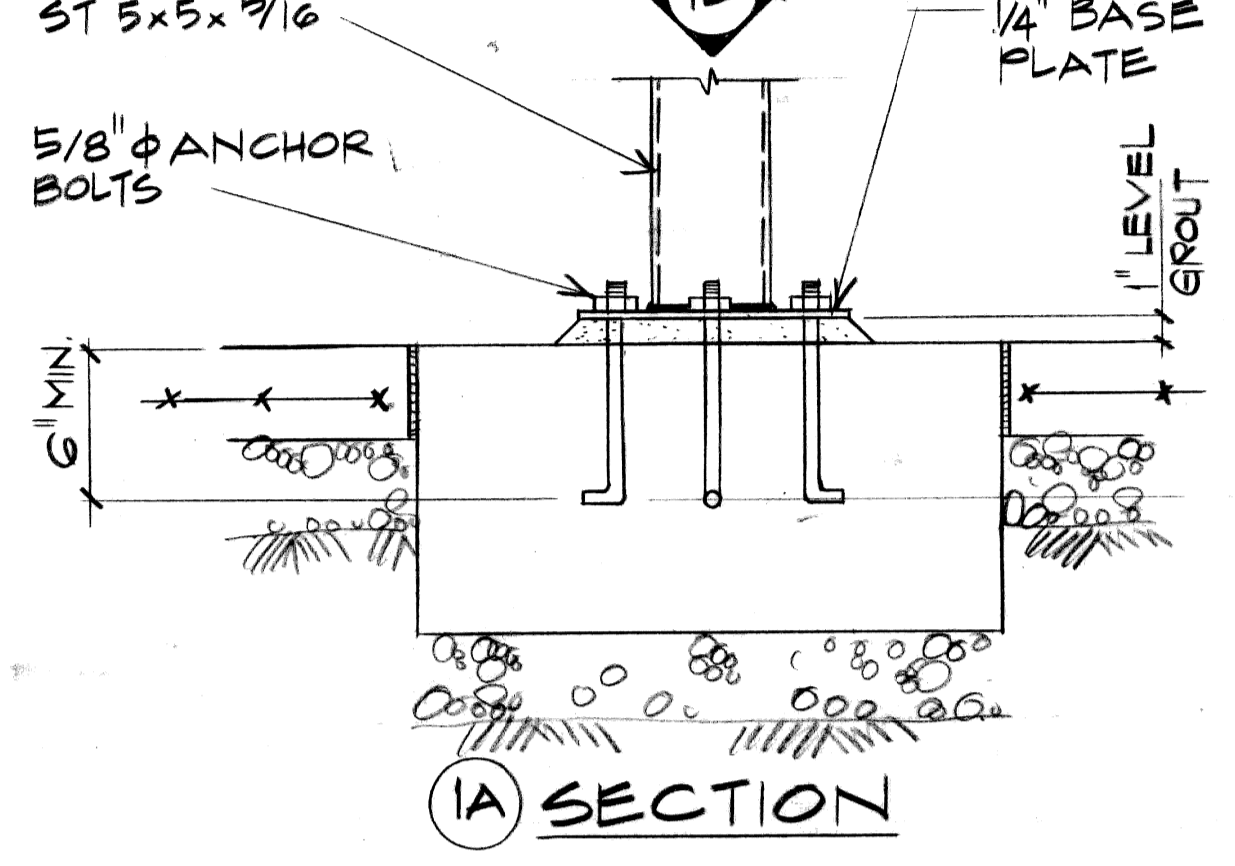
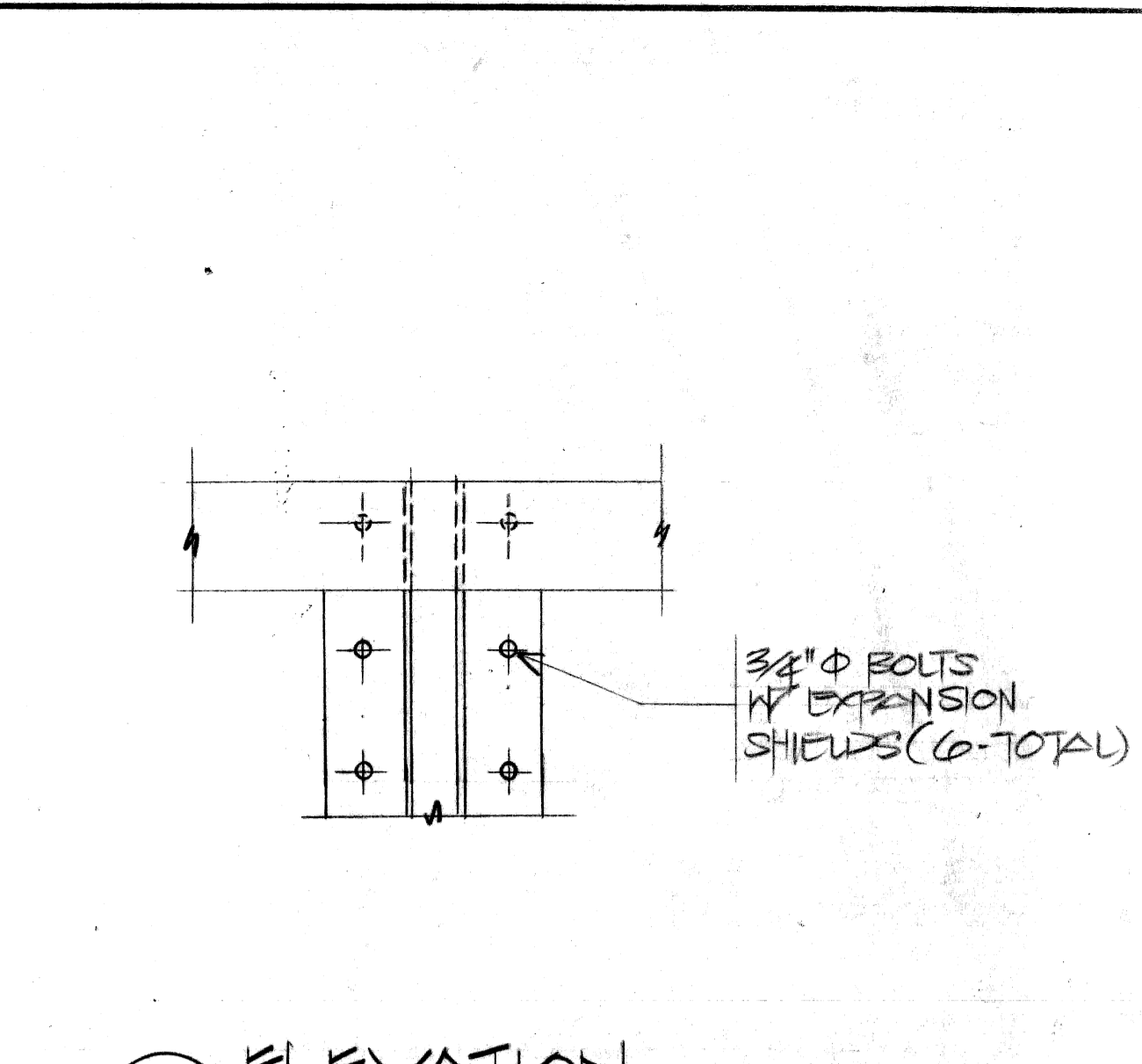
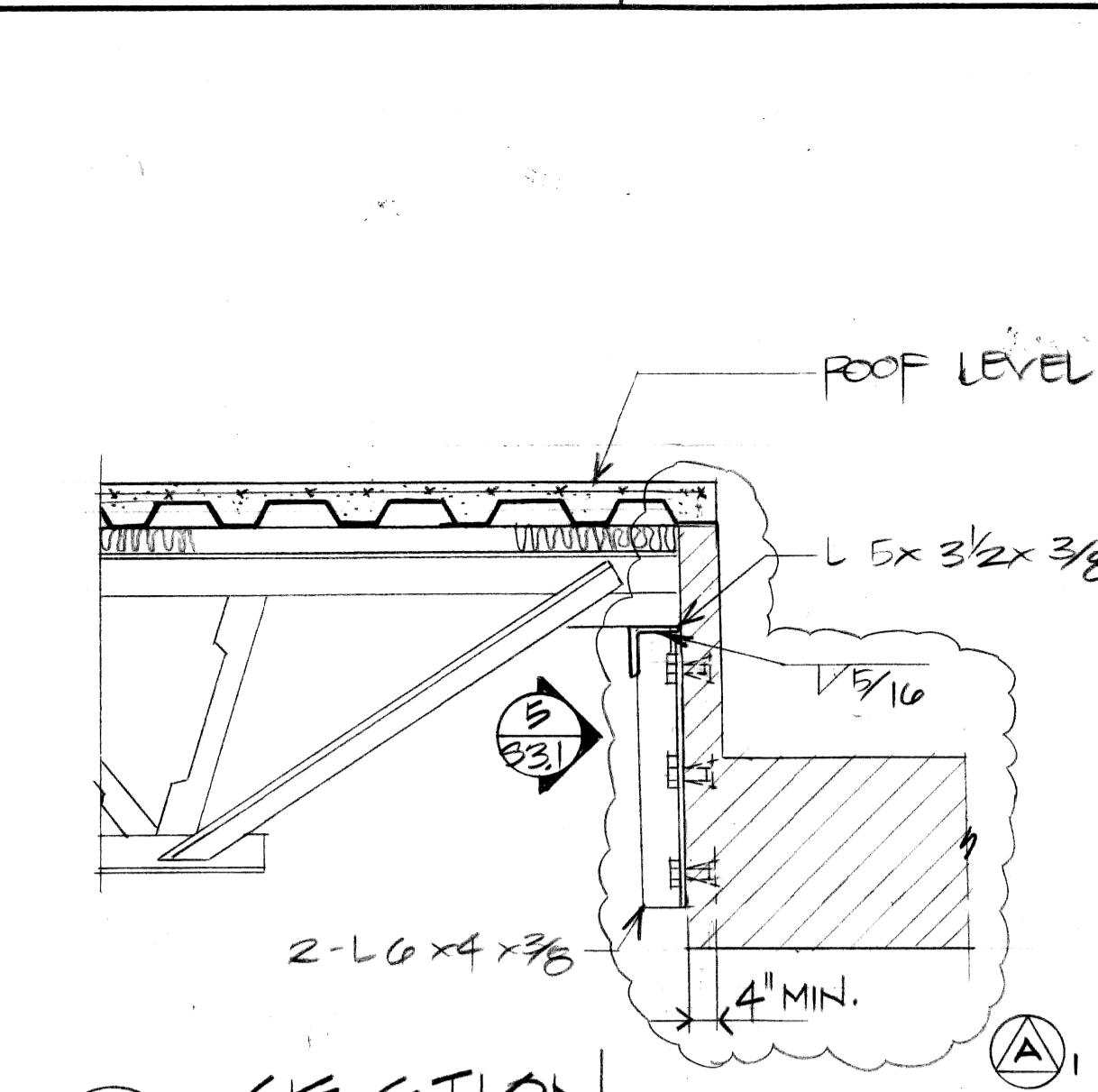
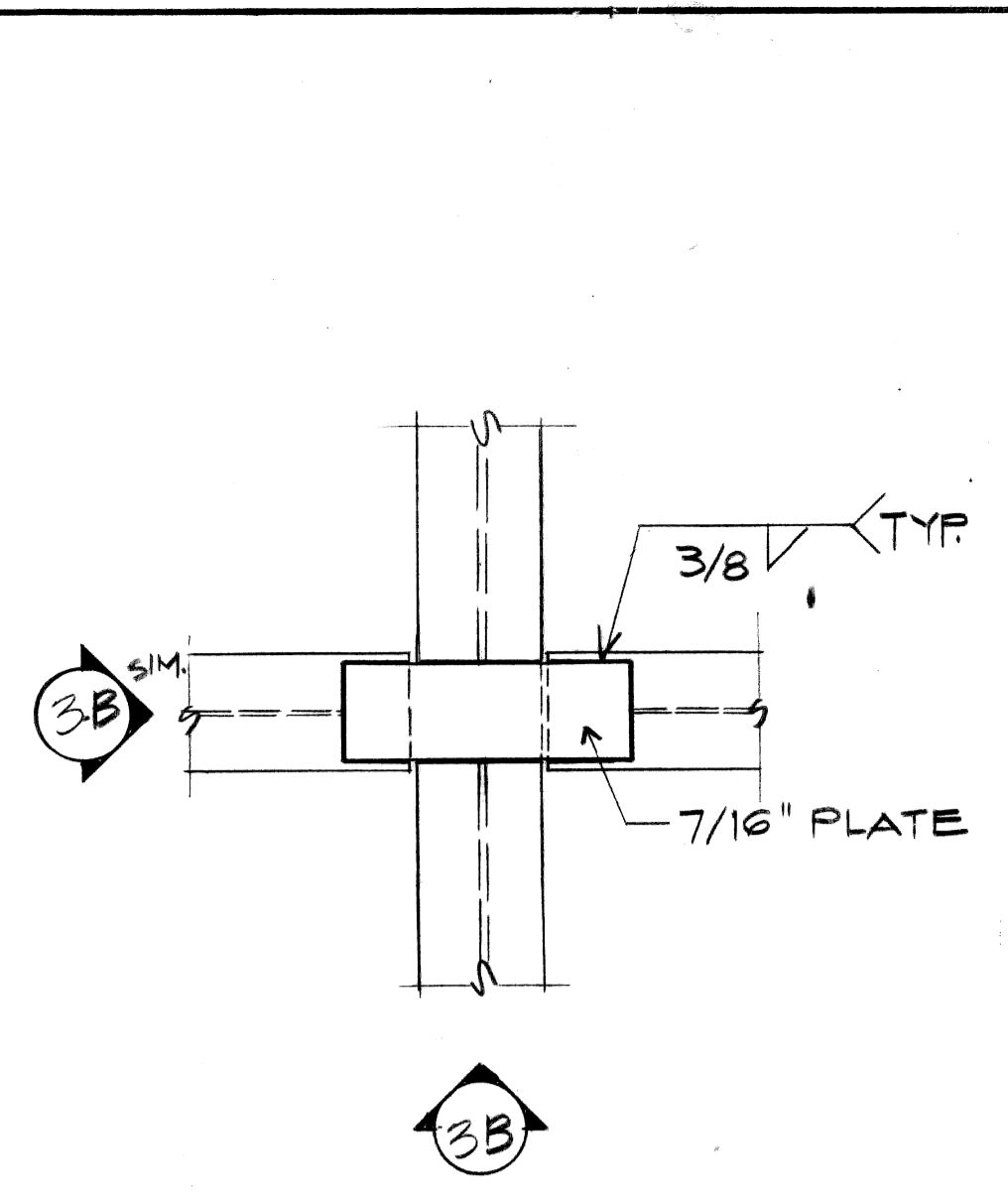
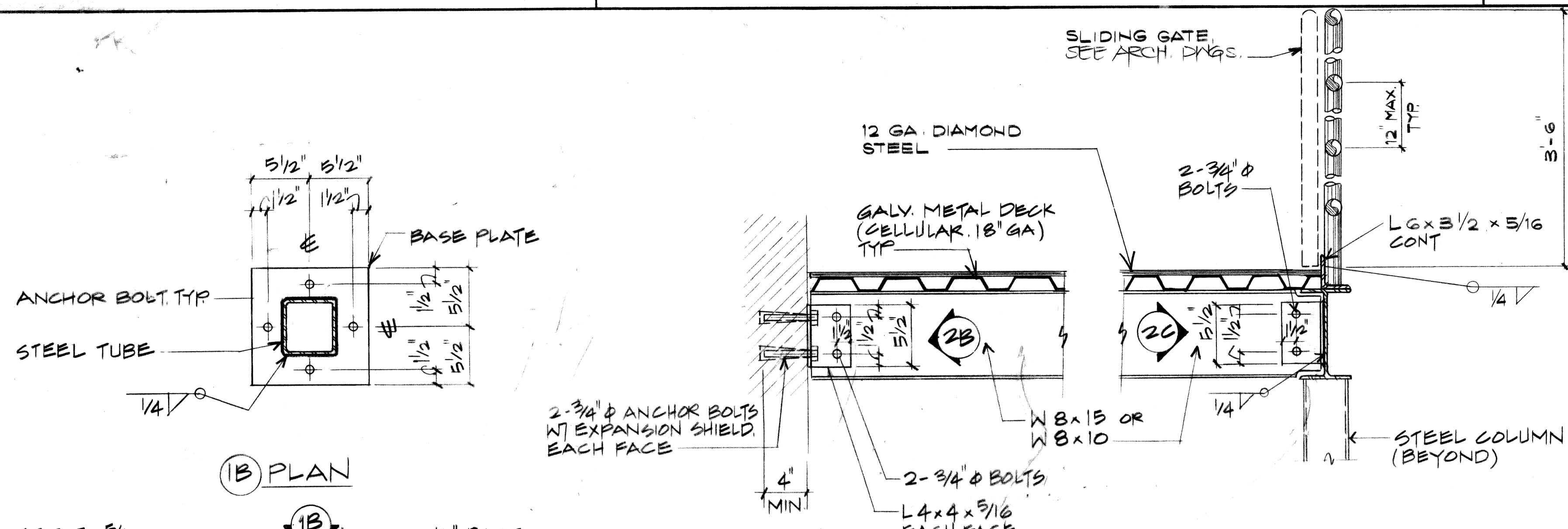
5 SECTION
SCALE: 3/4" = 1'-0"



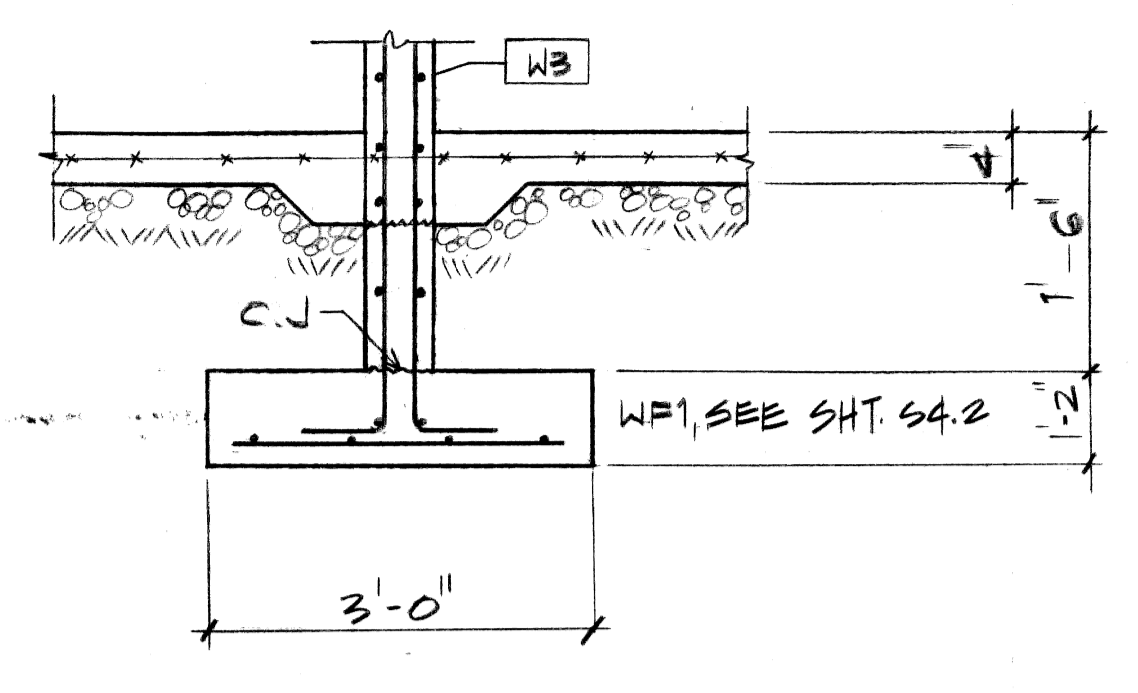
KEY PLAN



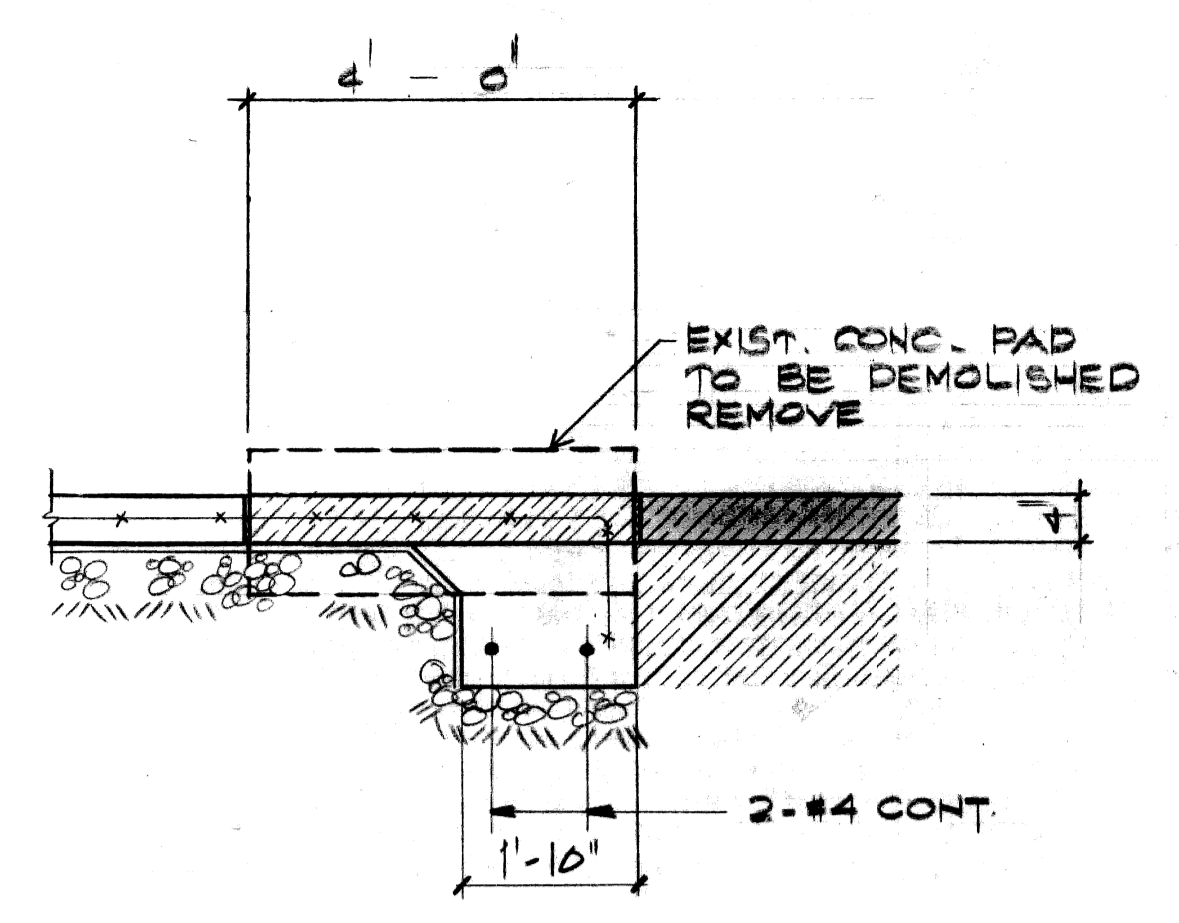
REVISION	DATE	DESCRIPTION	DRAWN	APPROVED
GOVERNMENT OF GUAM Department of Public Works				
UP GRADING and EXPANSION OF THE GUAM MEMORIAL HOSPITAL				
TAMUNING, PACKAGE III, IV & V GUAM				
PROJECT NO. 180-B-108-F-11			DATE: 23-MAR-89	DESIGNED BY: DCM
DRAWN BY: AM			CHECKED BY: DCM	SUPV. BY: DCM
DESCRIPTION OF DRAWING: FOUNDATION, GROUND, MEZZ. & ROOF FRAMING PLANS (SHOPS)			RECOMMENDED BY: [Signature]	DATE: 4/3/89
ARCHITECT: Taniguchi-Ruth & Associates 100 CHH Business Center Agaña, Guam 96910			CONSULTING ARCHITECT: Rex Whitaker Allen, FAIA San Francisco, CA	
DRAWER NO: S2.6			SCALE: AS NOTED	
SHEET 127 OF 290				



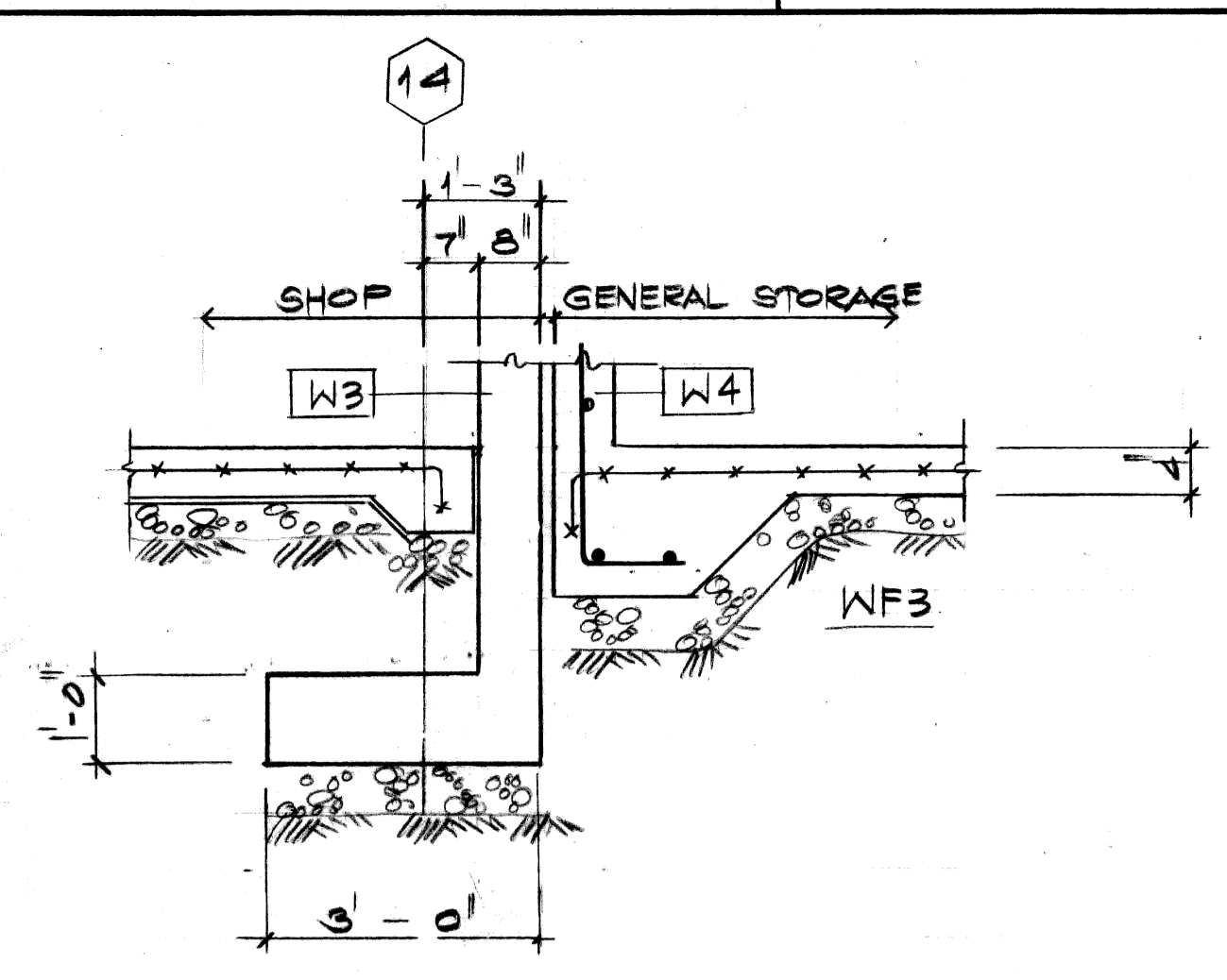
REVISION	DATE	DESCRIPTION	DRAWN	APPROVED
1	4-14-89	DETAIL CLARIFICATION	AM	
GOVERNMENT OF GUAM Department of Public Works UP GRADING and EXPANSION OF THE GUAM MEMORIAL HOSPITAL TAMUNING, PACKAGE III, IV & V GUAM				
PROJECT NO: 480-5-1018-F-1AM DATE: 23-MAR-89			DESIGNED BY: DG DRAWN BY: AM CHECKED BY: DG SUPP. BY: DG	
DESCRIPTION OF DRAWING: MISCELLANEOUS SECTIONS & DETAILS			PROJECT MANAGER: <i>[Signature]</i> SECTION MANAGER: <i>[Signature]</i>	
RECOMMENDED BY: <i>[Signature]</i> CHIEF OF ENGINEERING: <i>[Signature]</i>			DATE: 4/3/89	
ARCHITECT: Taniguchi-Ruth & Associates 100 Cliff Business Center Agaña, Guam 96910			SCALE: AS NOTED DRAWER NO: S3.1 SHEET: 129 of 216	



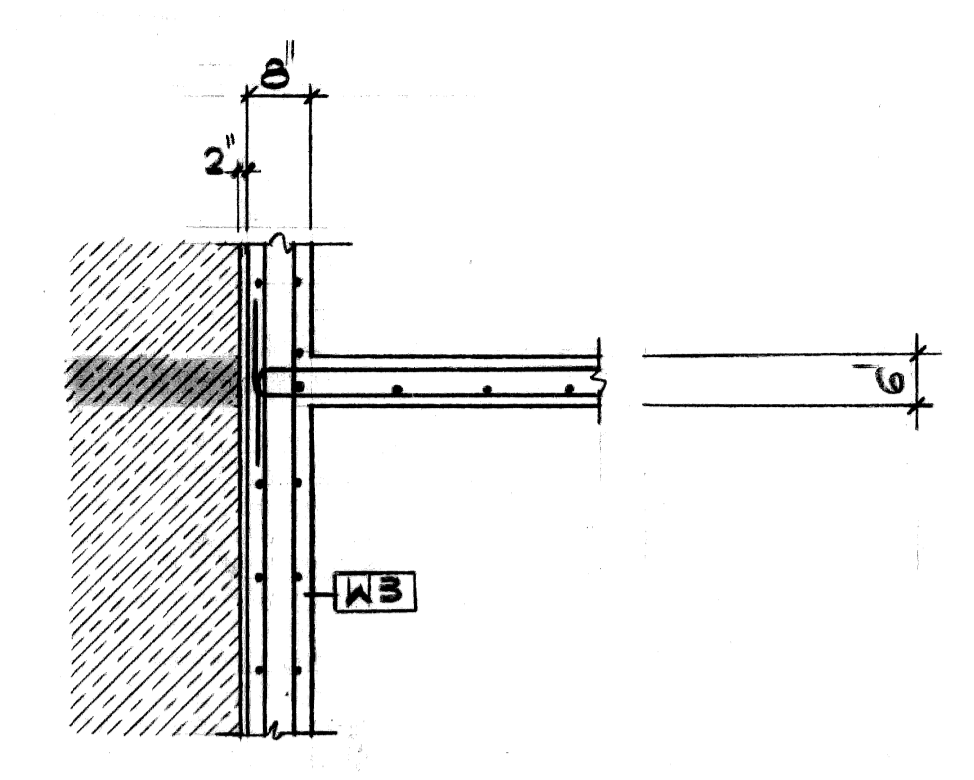
1 SECTION
S3.2 NOT TO SCALE



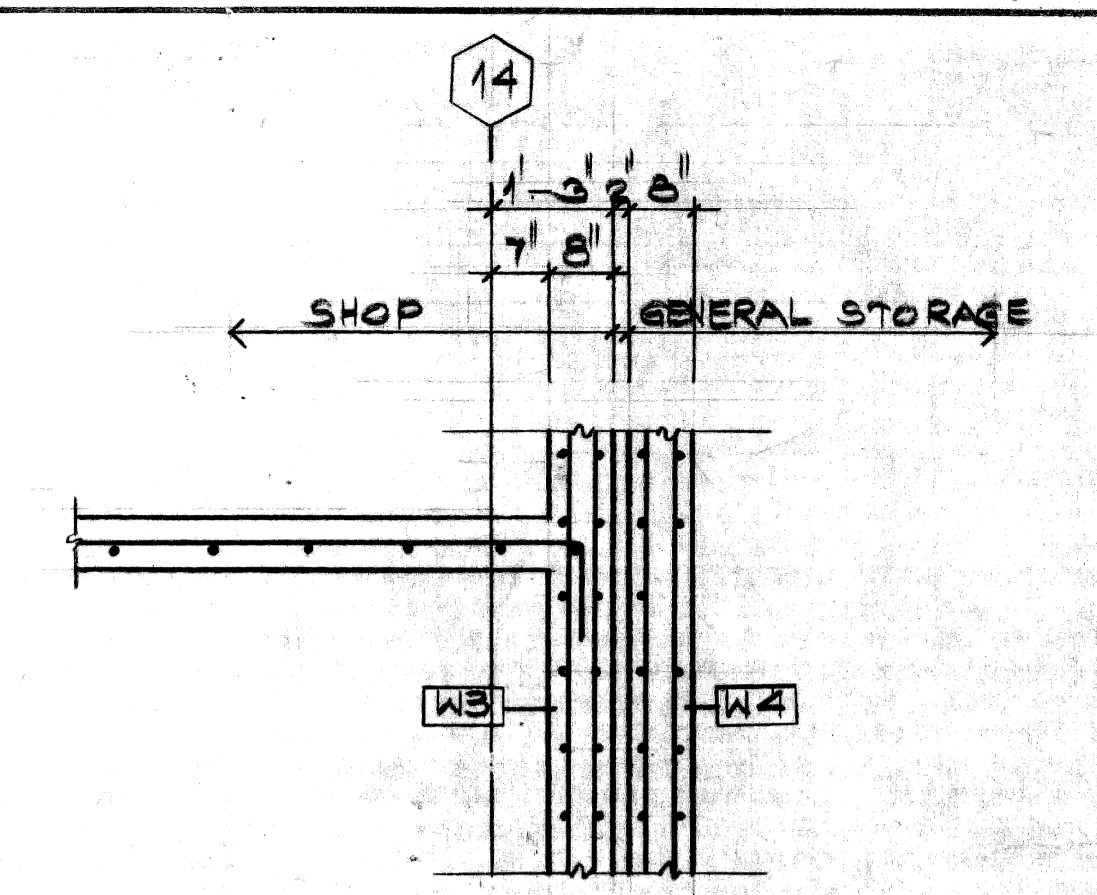
2 SECTION
S3.2 SCALE: 1/2" = 1'-0"



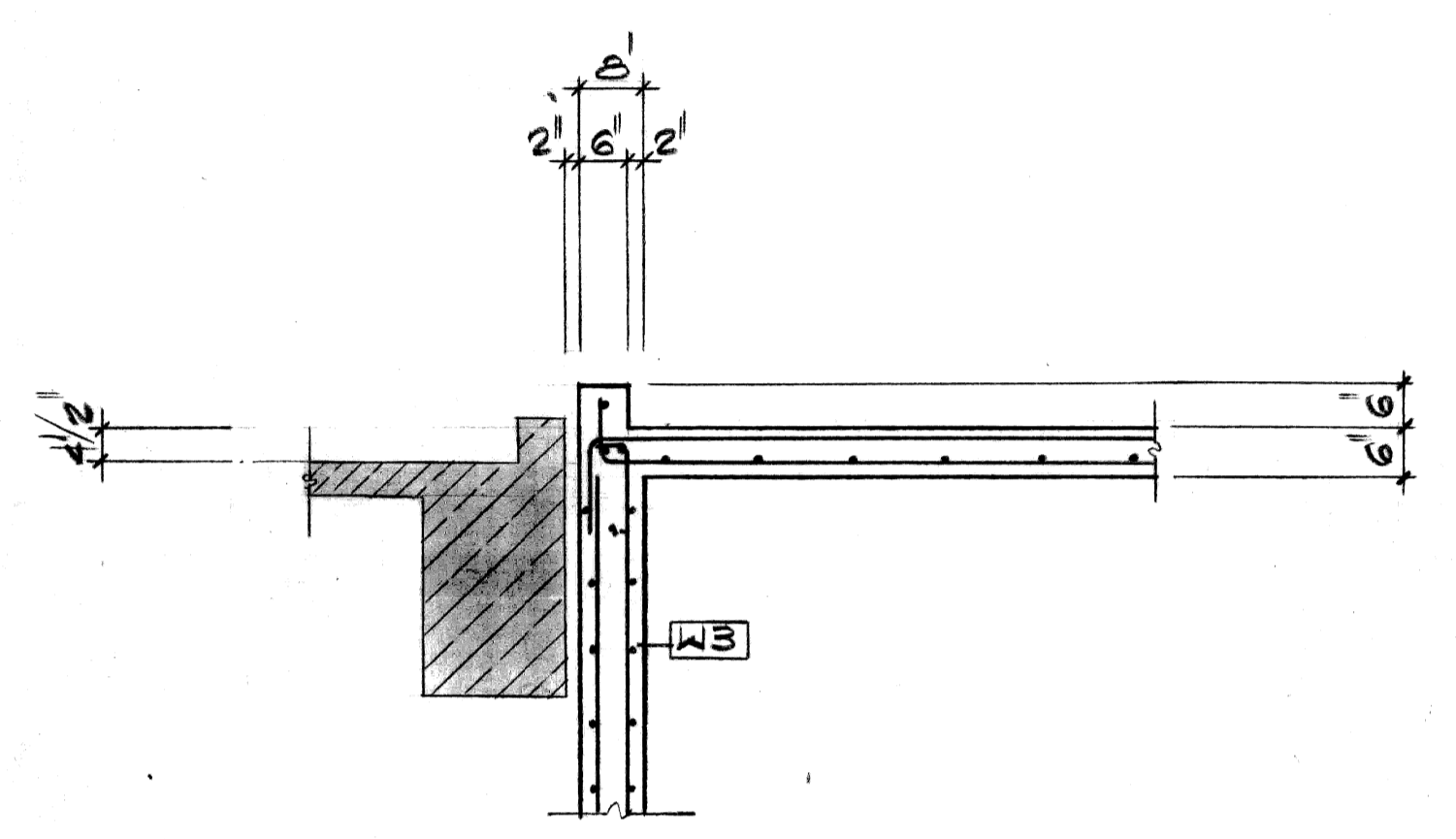
3 SECTION
S3.2 SCALE: 1/2" = 1'-0"



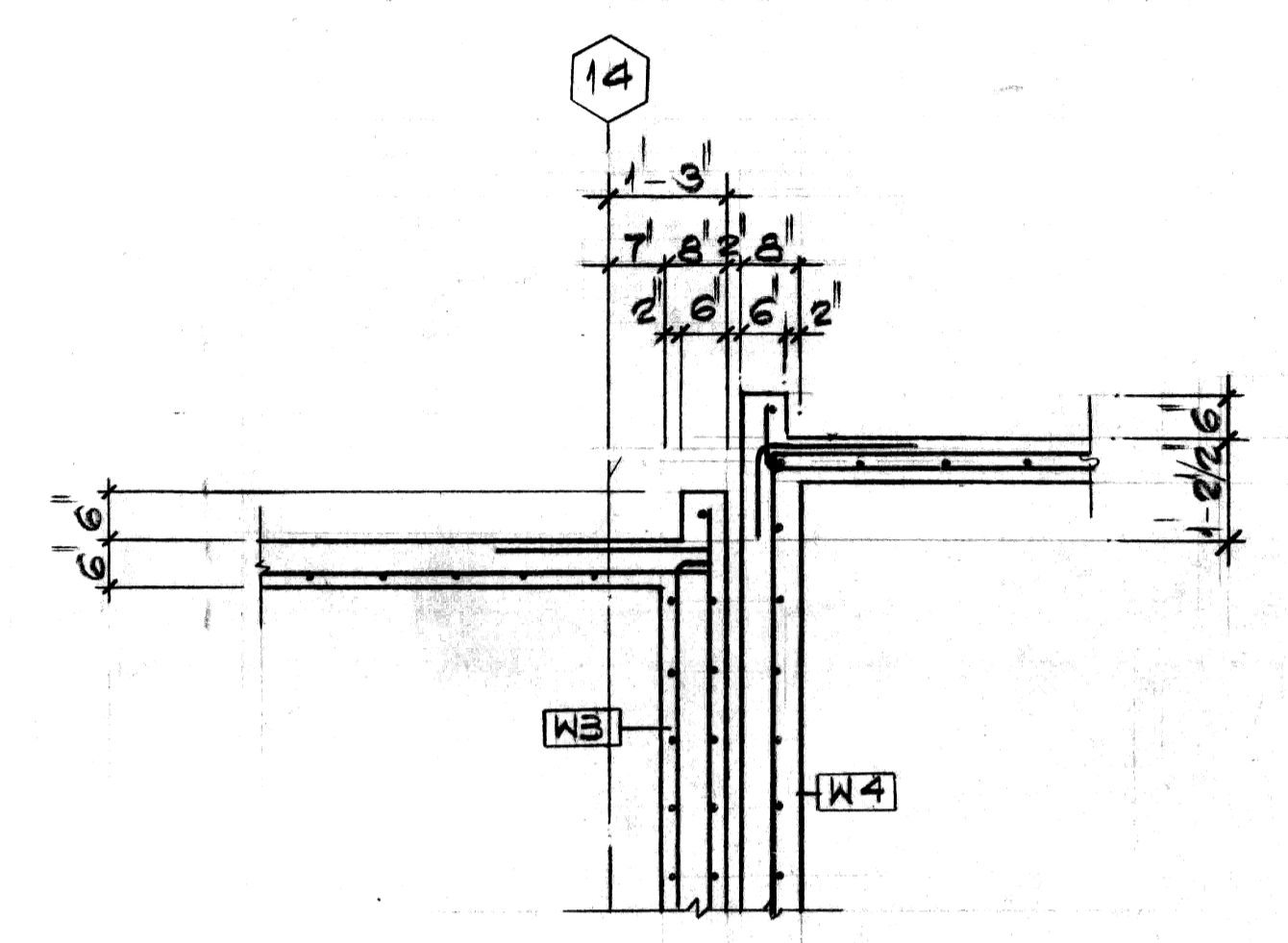
4 SECTION
S3.2 SCALE: 1/2" = 1'-0"



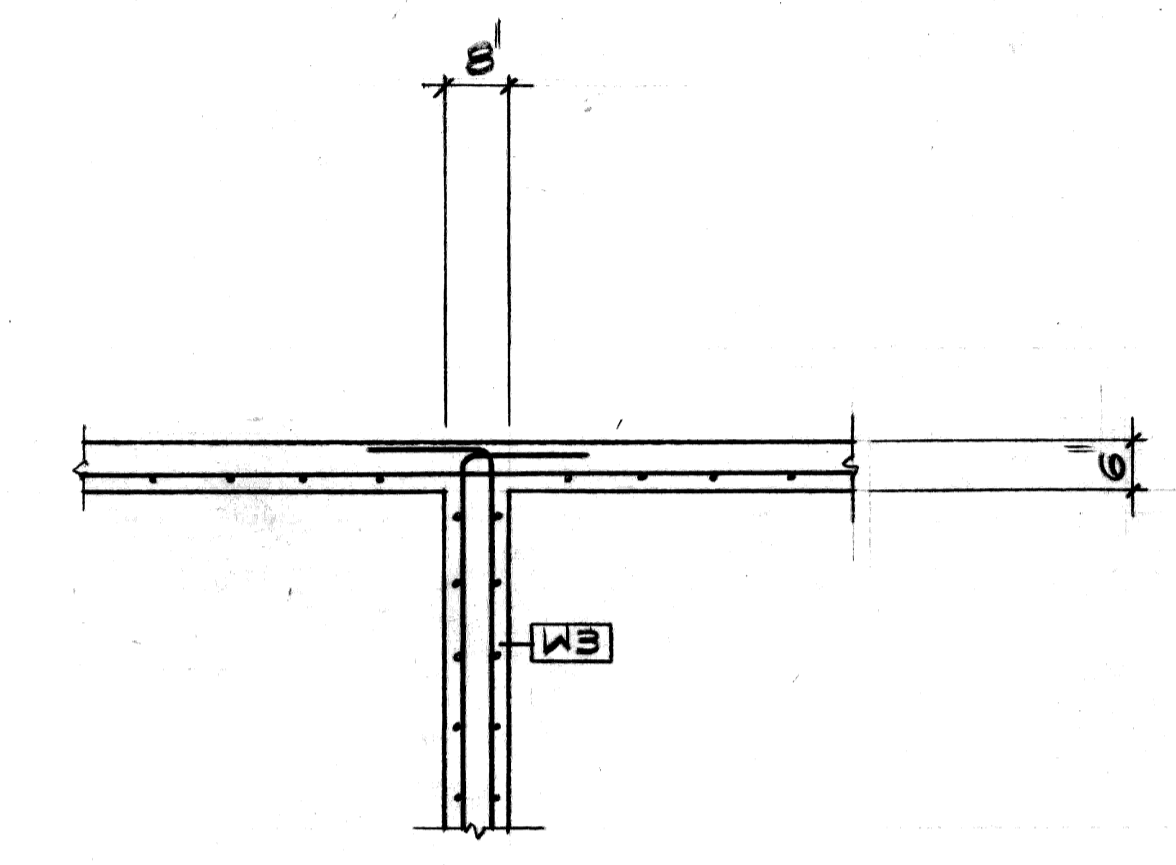
5 SECTION
S3.2 SCALE: 1/2" = 1'-0"



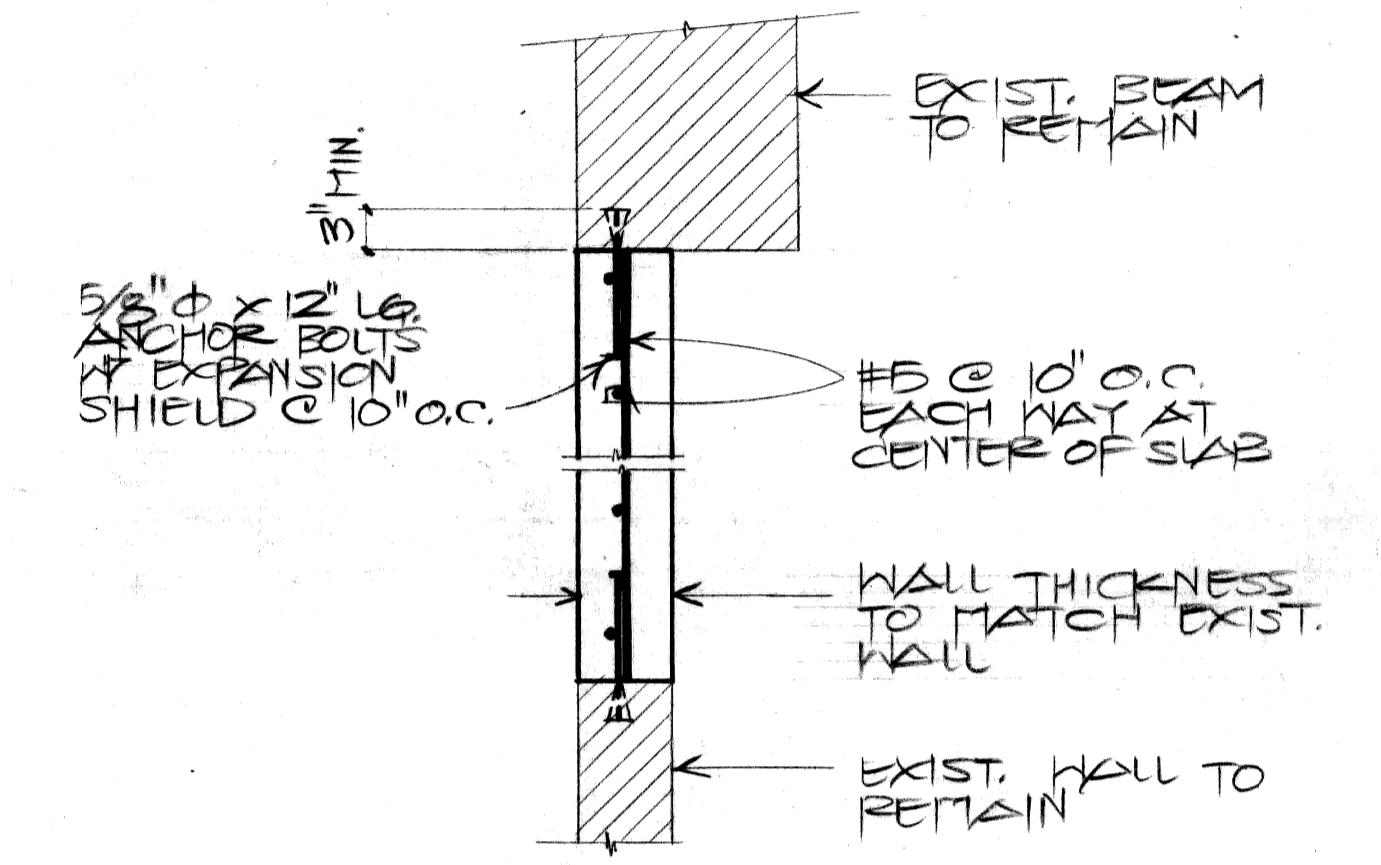
6 SECTION
S3.2 SCALE: 1/2" = 1'-0"



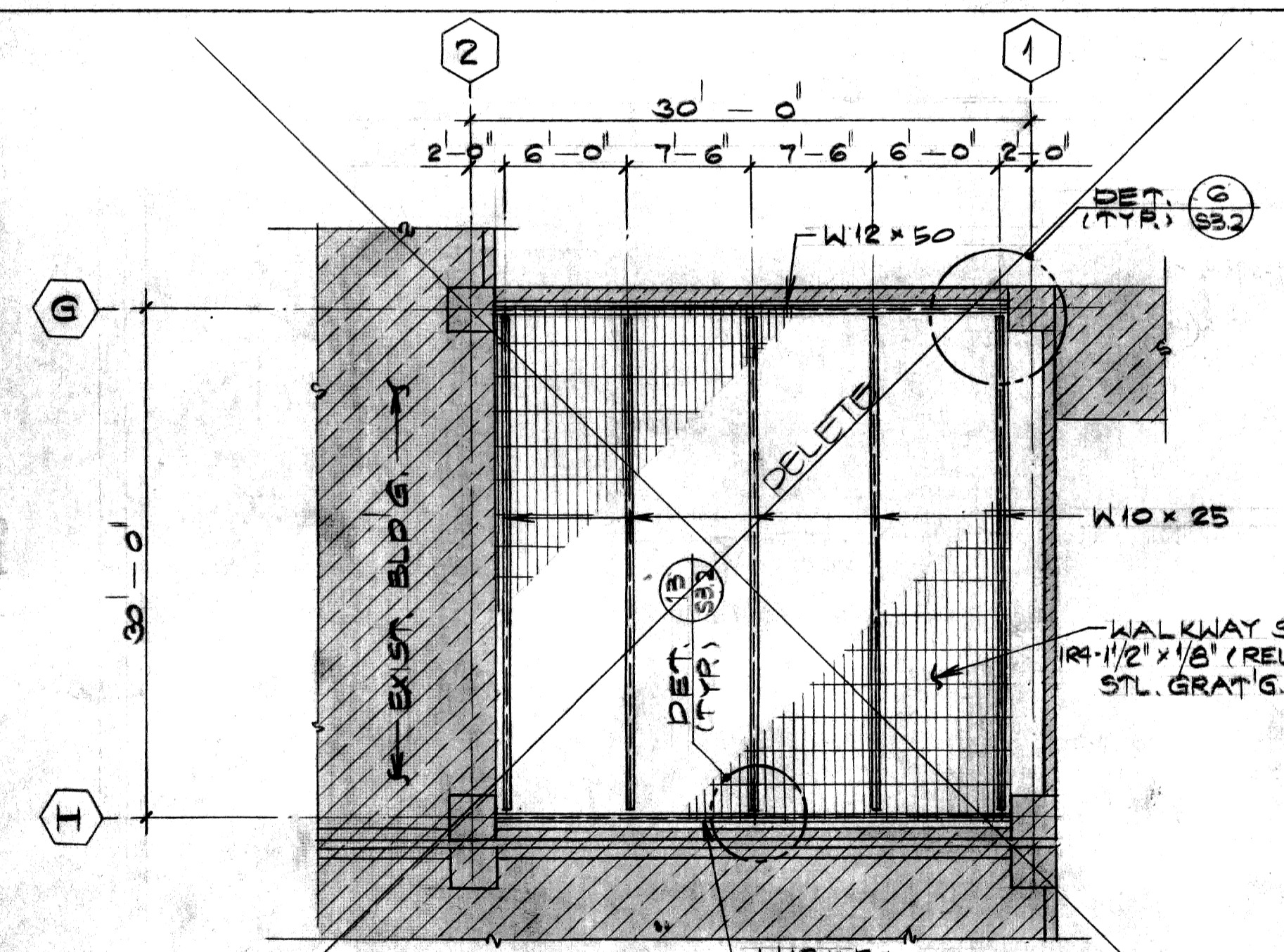
7 SECTION
S3.2 SCALE: 1/2" = 1'-0"



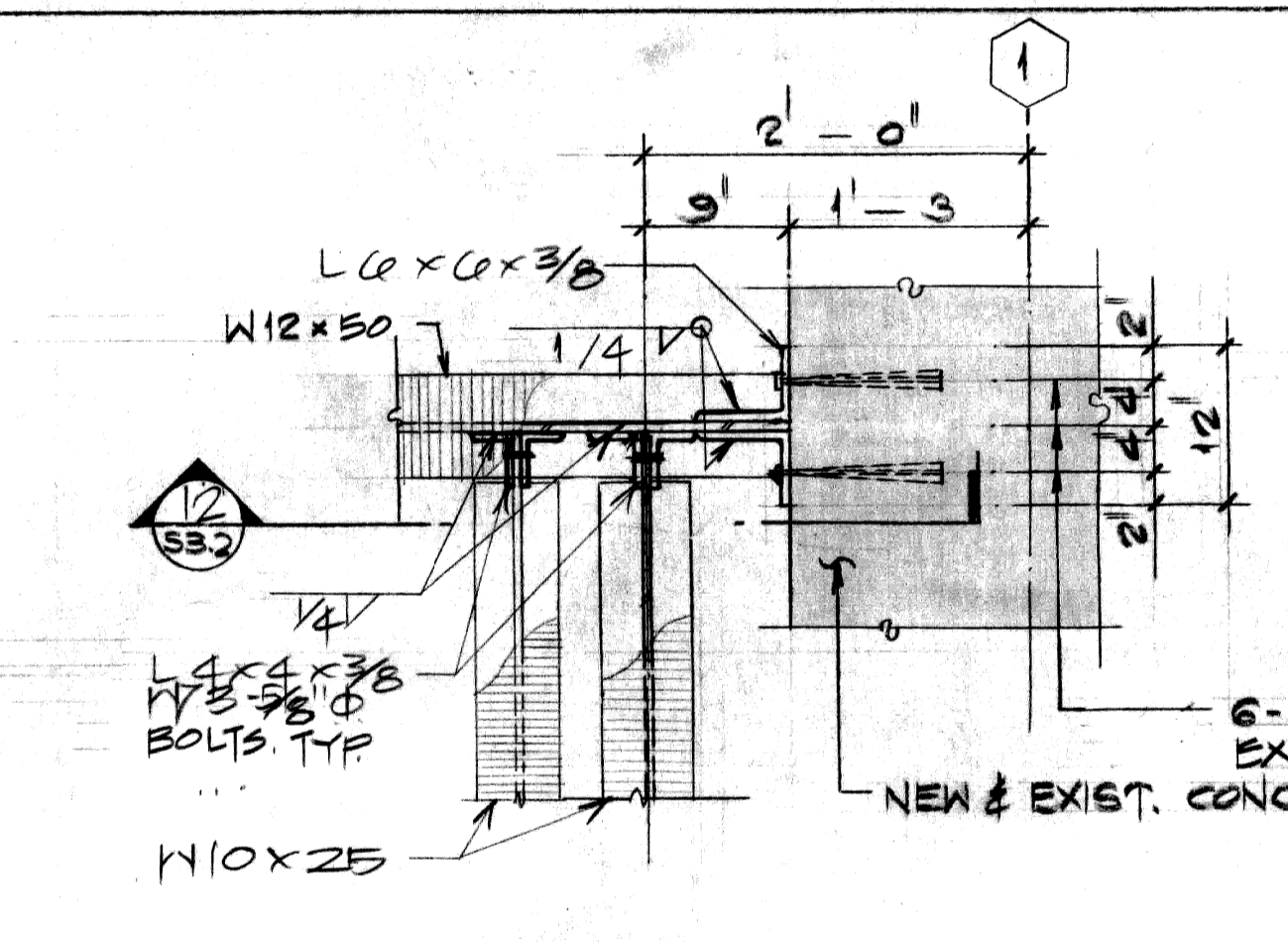
8 SECTION
S3.2 SCALE: 1/2" = 1'-0"



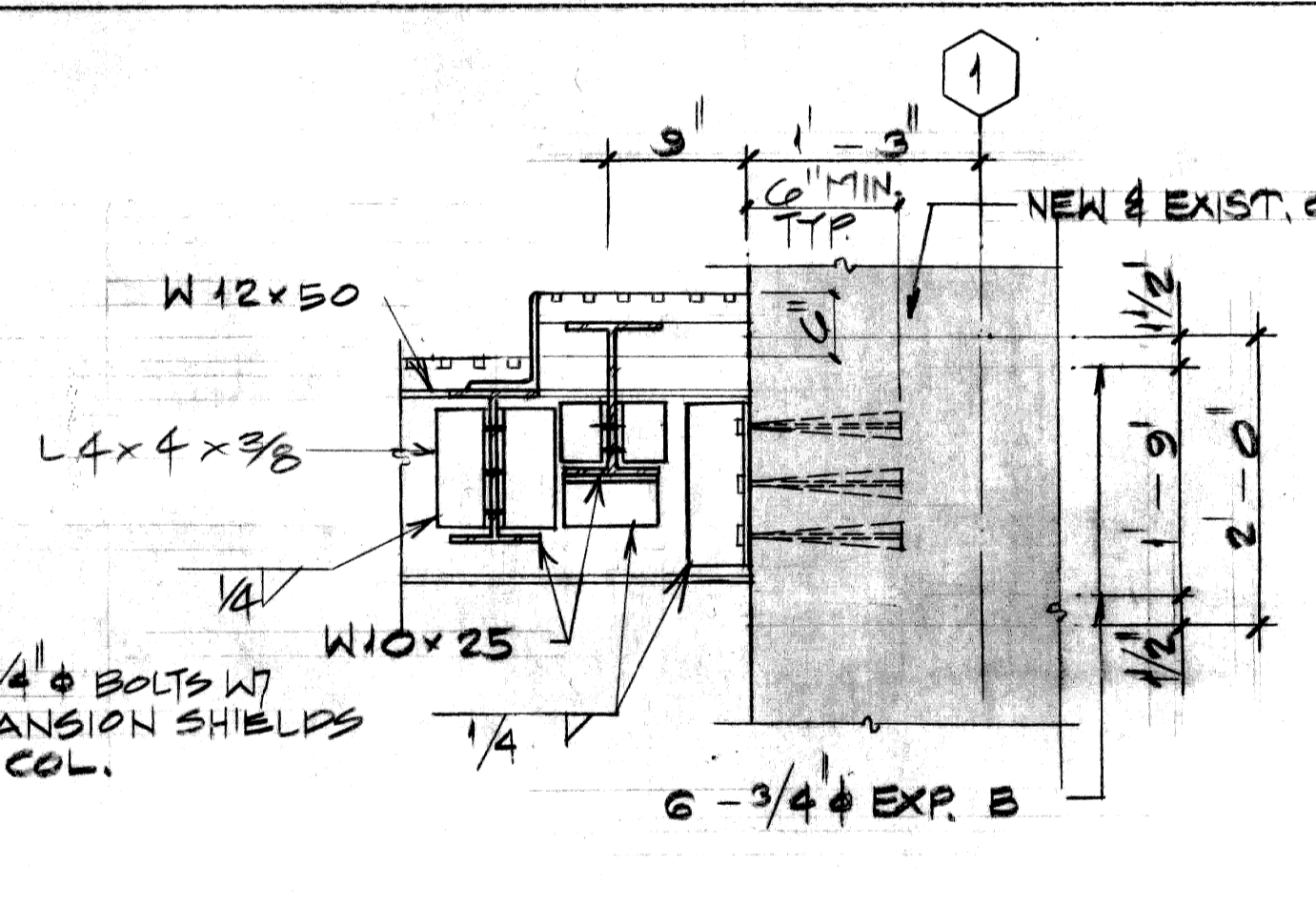
10 SECTION
S3.2 NOT TO SCALE



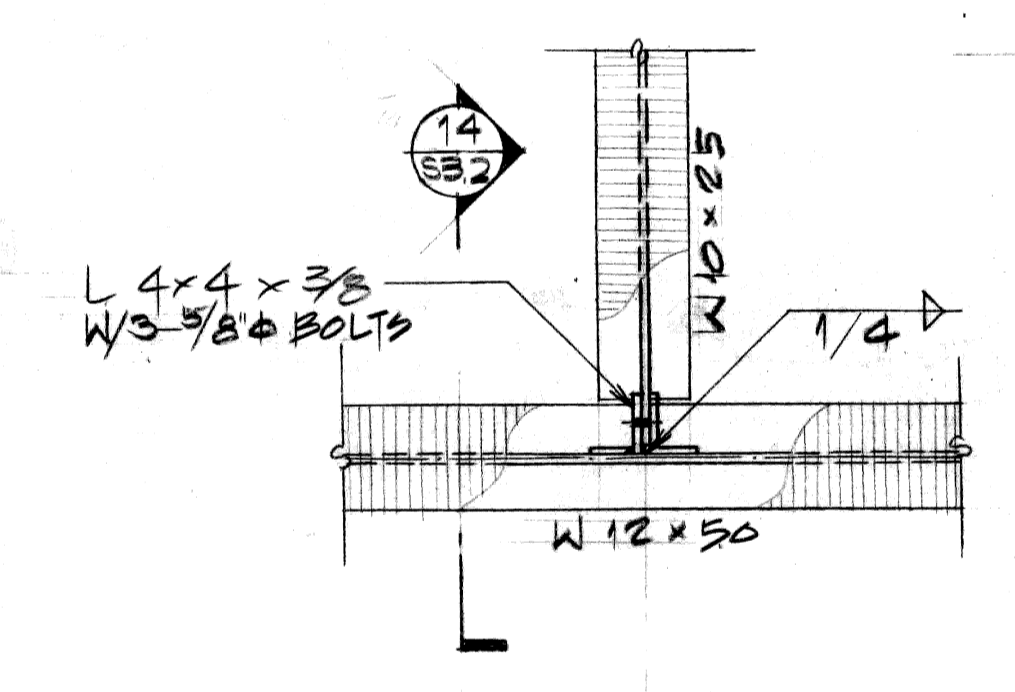
5 MEZZ. FL. FRAMING PLAN (A-WING)
S3.2 SCALE: 1/8" = 1'-0"



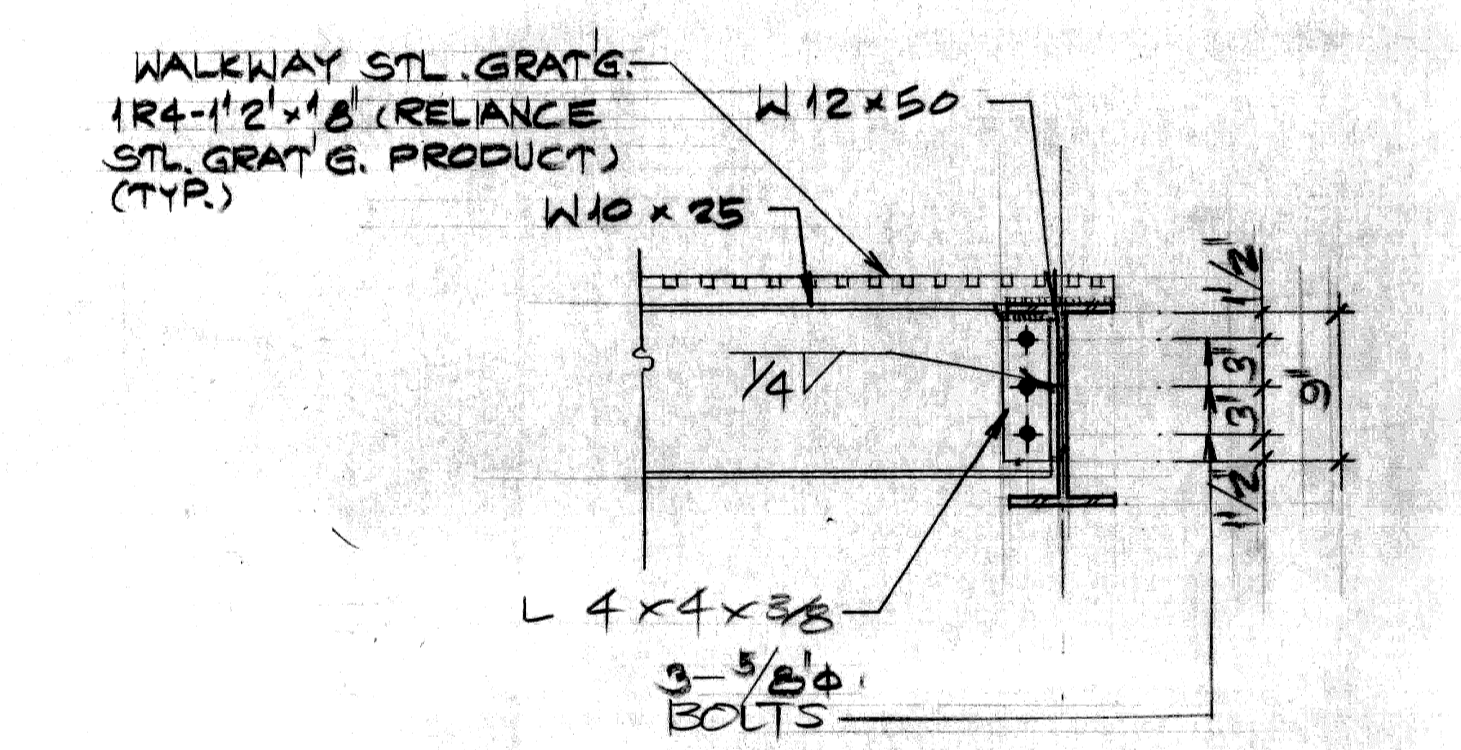
10 DETAIL
S3.2 SCALE: 1" = 1'-0"



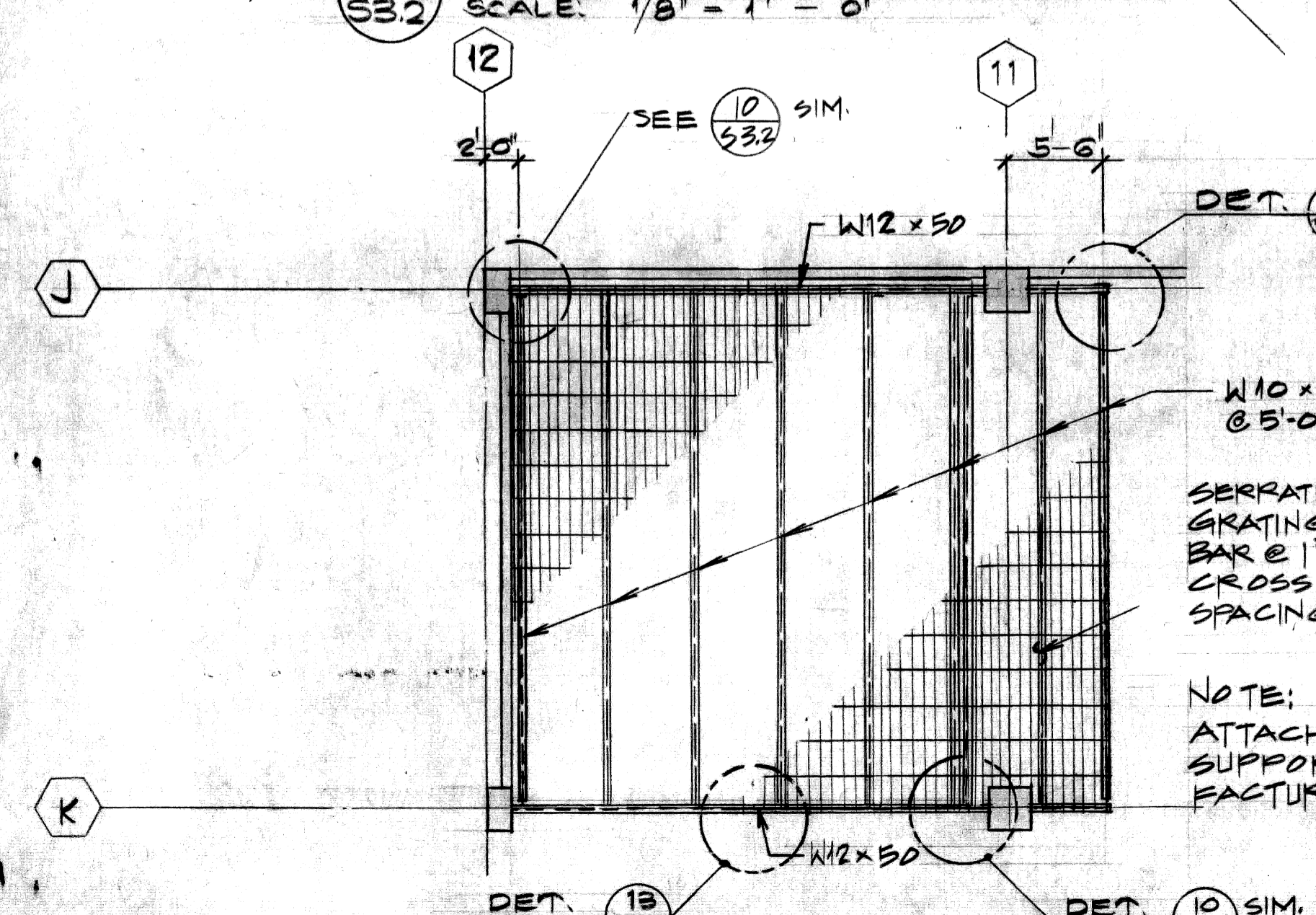
12 SECTION
S3.2 SCALE: 1" = 1'-0"



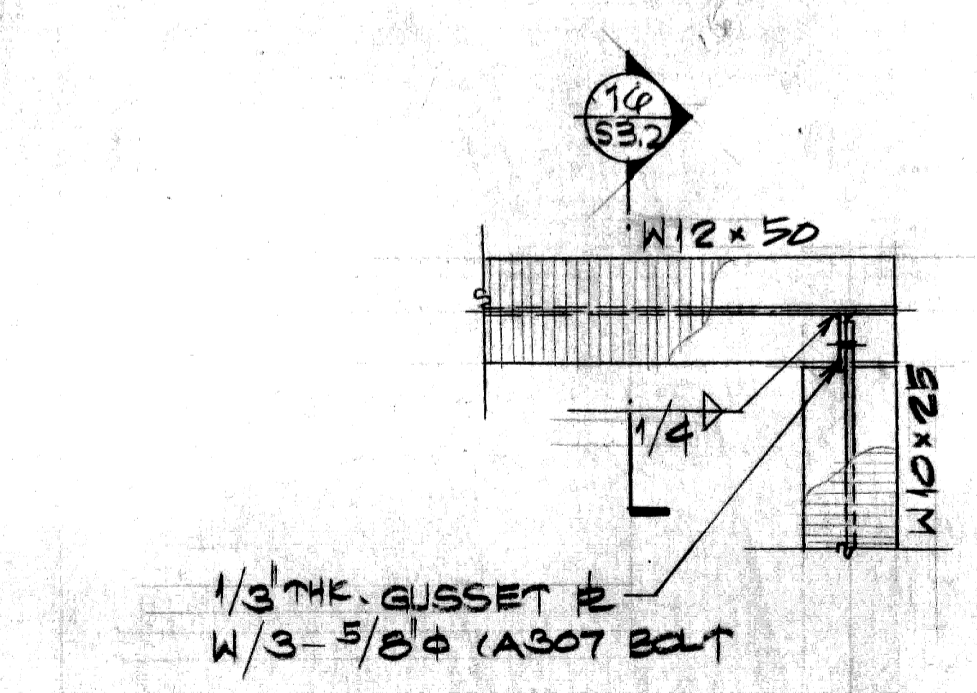
13 DETAIL
S3.2 SCALE: 1" = 1'-0"



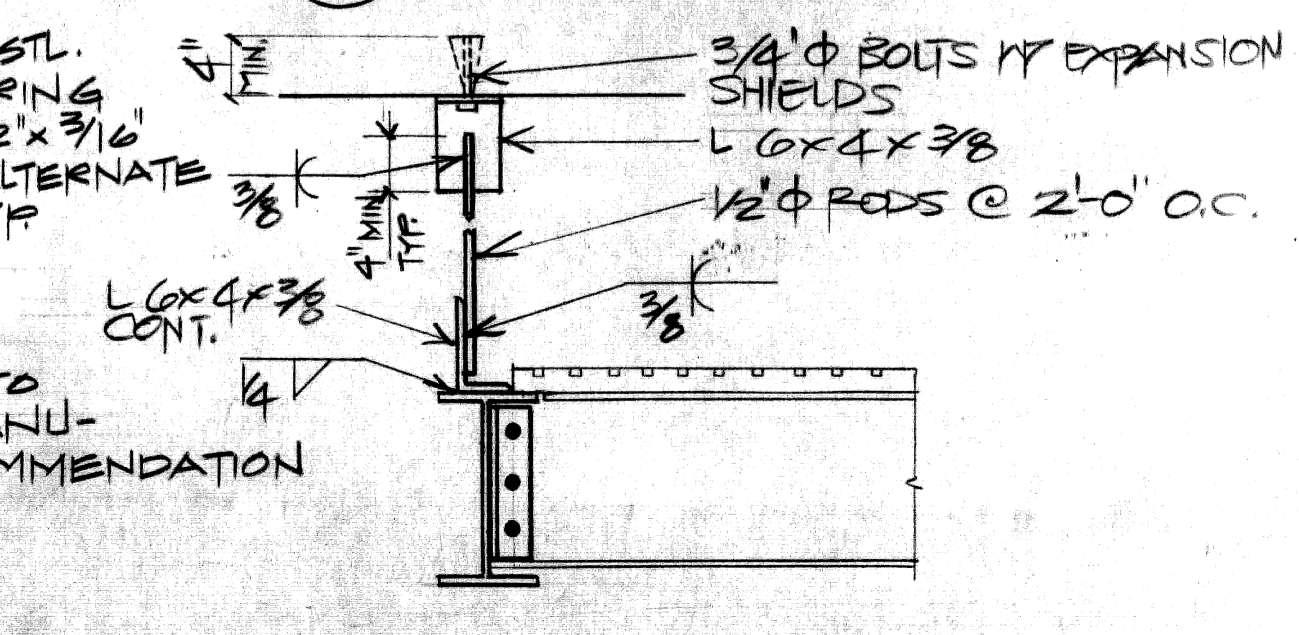
14 DETAIL
S3.2 SCALE: 1" = 1'-0"



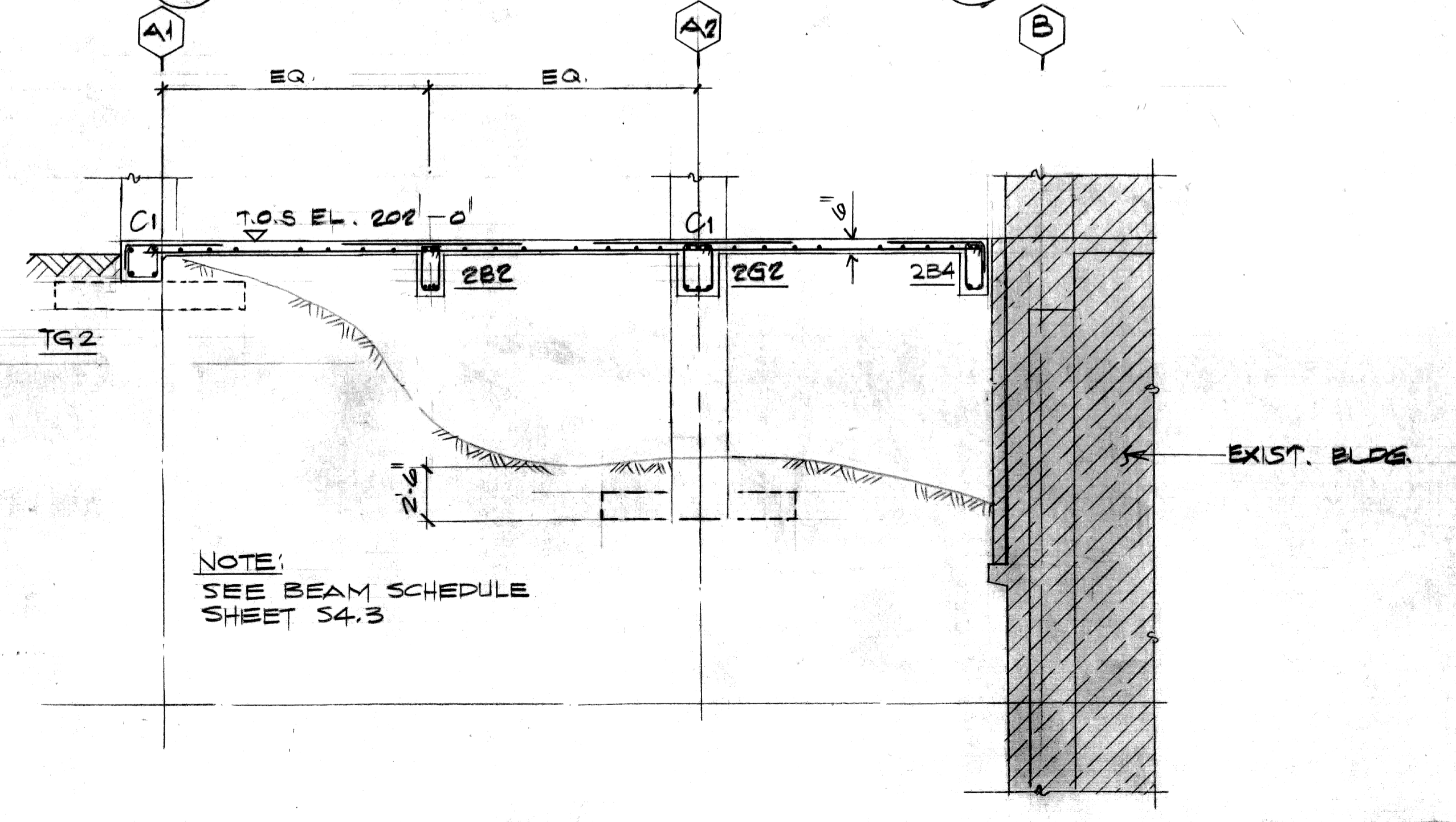
9 MEZZ. FL. FRAMING PLAN (C-WING)
S3.2 SCALE: 1/8" = 1'-0"



11 DETAIL
S3.2 SCALE: 1" = 1'-0"



16 DETAIL
S3.2 NOT TO SCALE

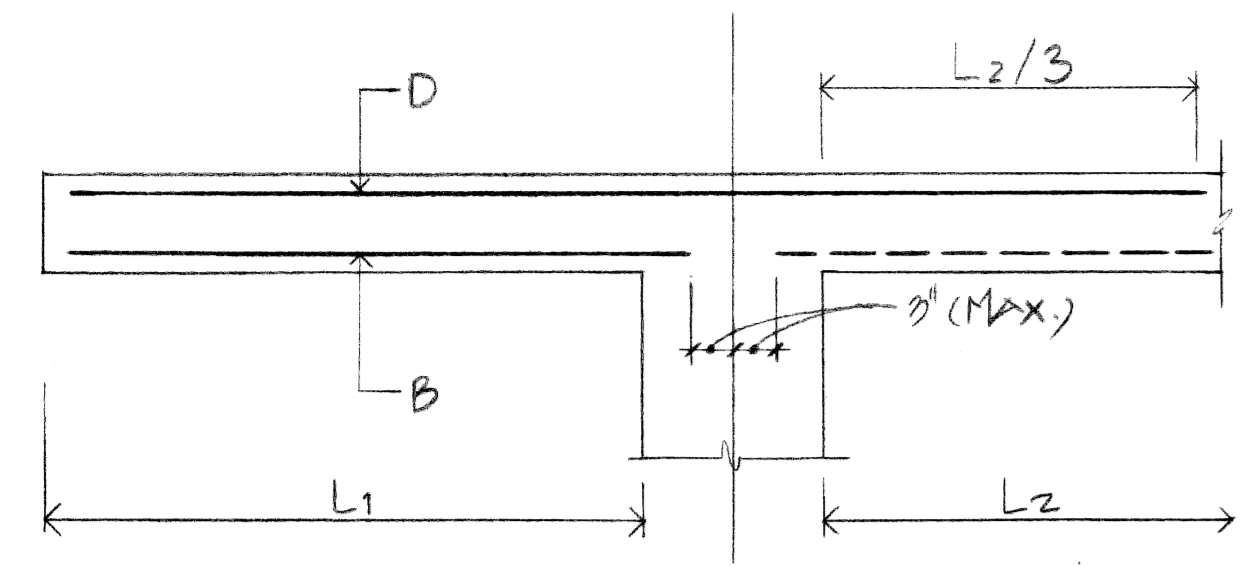


15 SECTION
S3.2 SCALE: 1/4" = 1'-0"

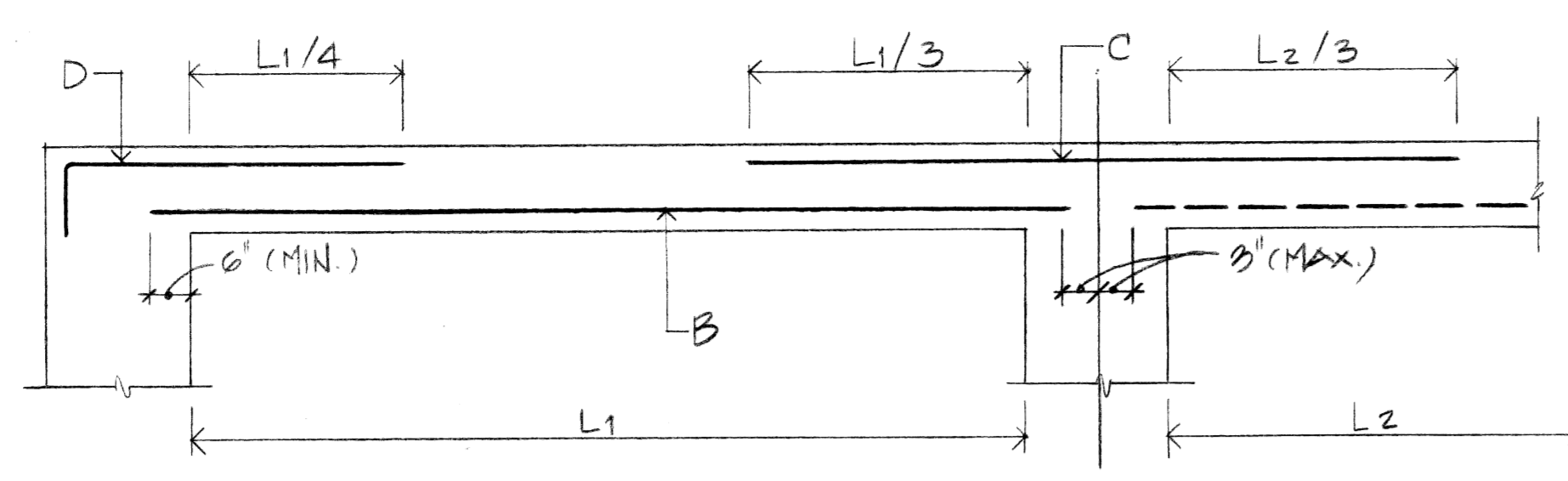


REVISION	DATE	DESCRIPTION	DRAWN	APPROVED
GOVERNMENT OF GUAM Department of Public Works				
PROJECT NO. 480-5-1016-F-TAM				
DATE: 23-MAR-89				
DESIGNED BY: TC				
DRAWN BY: AM				
CHECKED BY: TC				
SUPV. BY: TC				
DESCRIPTION OF DRAWING: MEZZ. FLR. FRAMING PLAN (A-WING & C-WING) SECTIONS & DETAILS				
RECOMMENDED BY: <i>Ap Duran</i> DATE: 4/3/89				
CHIEF OF ENGINEERING: <i>Rex Whitaker Allen</i> SECTION MANAGER				
ARCHITECT: Taniguchi-Ruth & Associates CONSULTING ARCHITECT: Rex Whitaker Allen, FAIA				
100 Cliff Business Center San Francisco, CA				
AGaña, Guam 96910				
SCALE: AS NOTED				
DRAWING NUMBER: S3.2				
SHEET 130 OF 210				

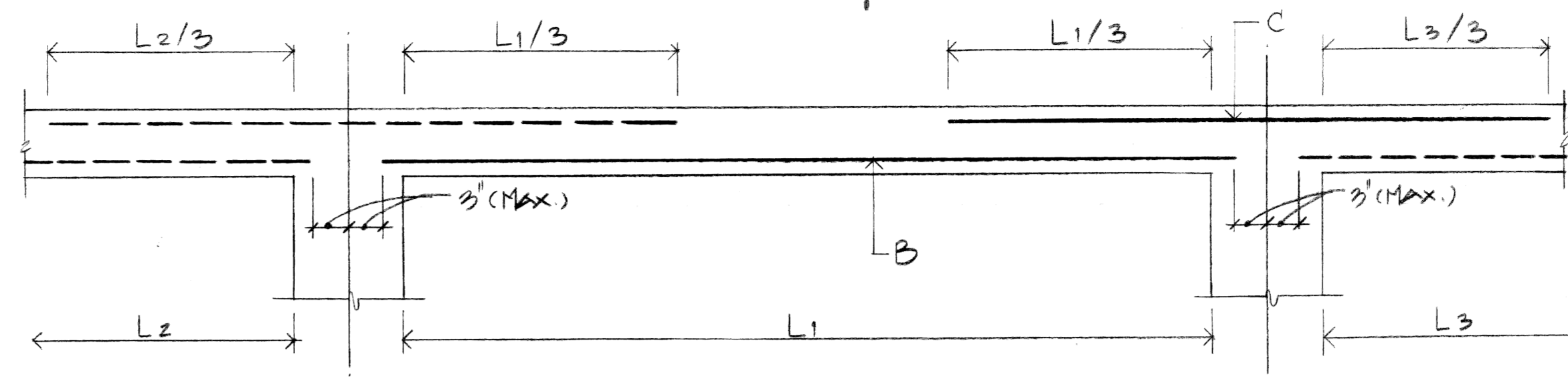
REINFORCED SLAB TYPE & SCHEDULE



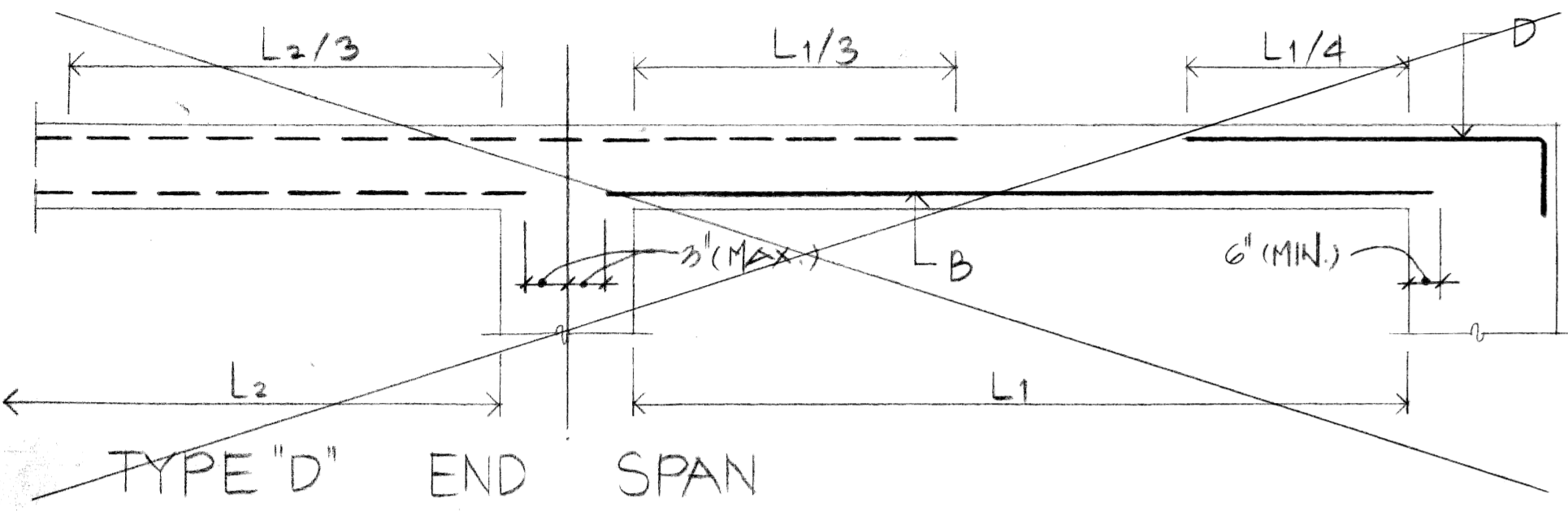
TYPE "A" CANTILEVER



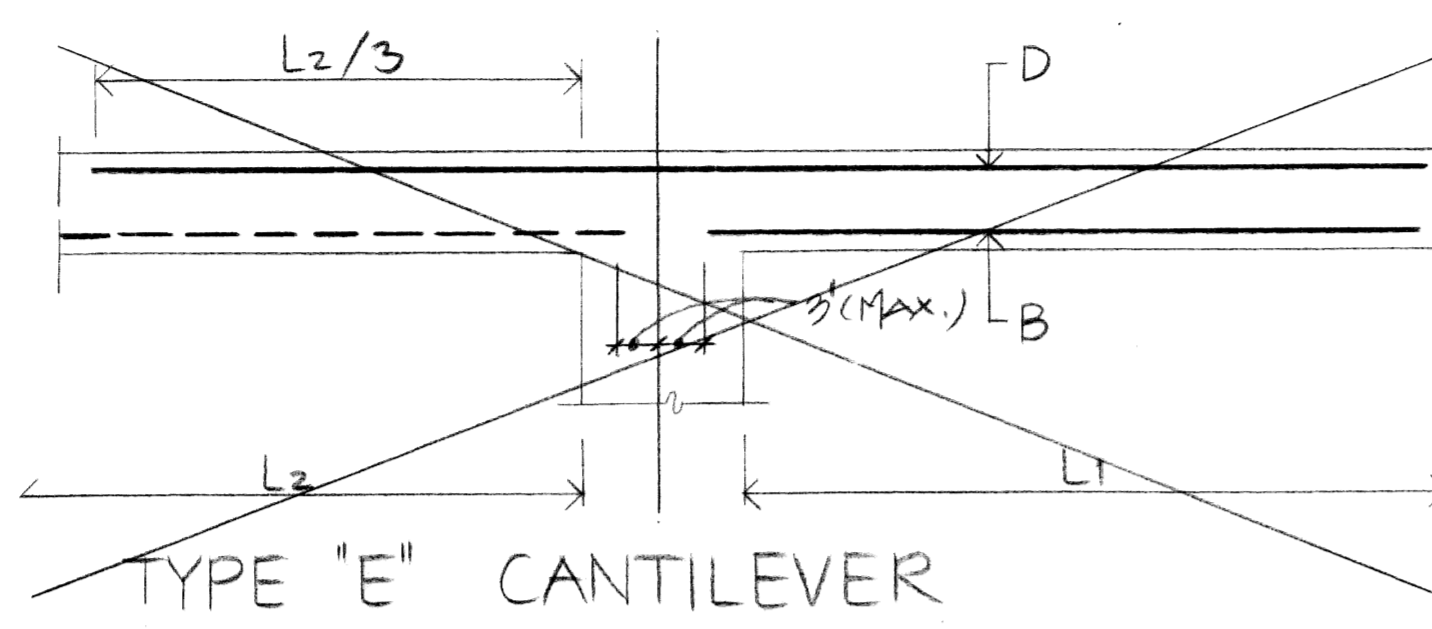
TYPE "B" END SPAN



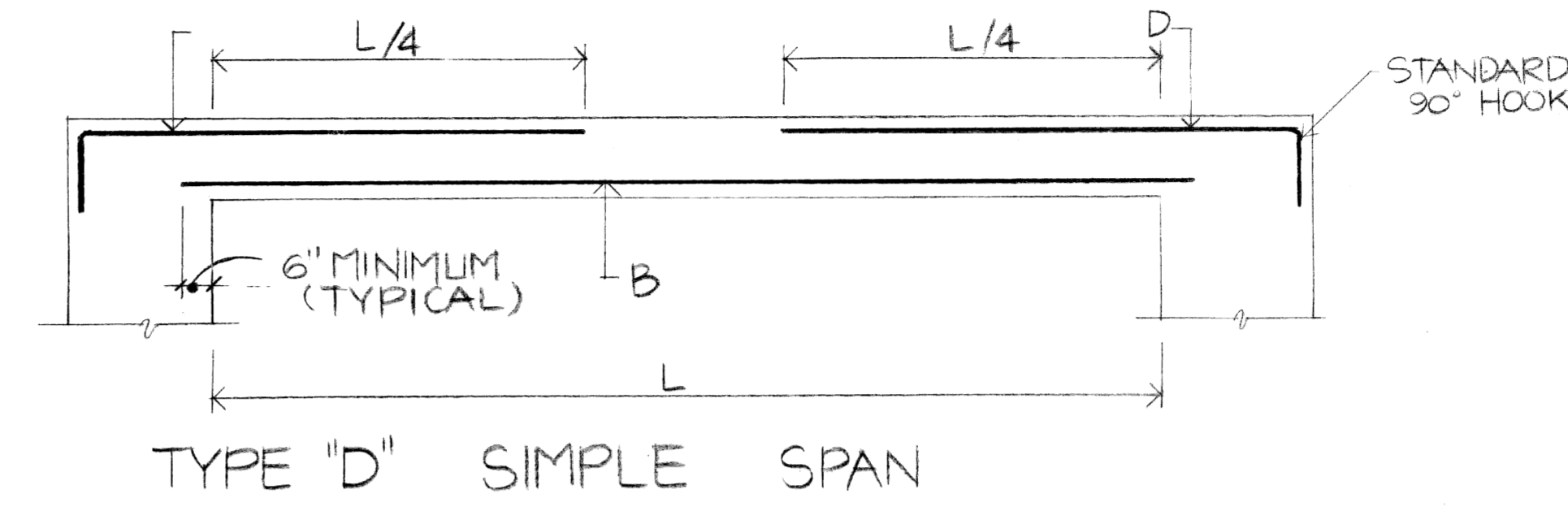
TYPE "C" INTERIOR SPAN



TYPE "D" END SPAN



TYPE "E" CANTILEVER



TYPE "D" SIMPLE SPAN

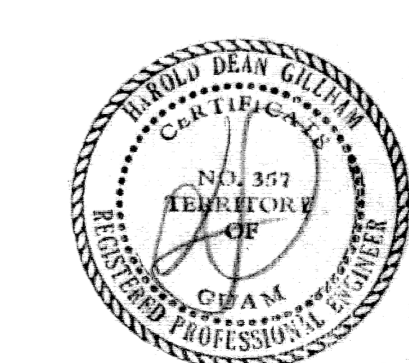
NOTE:

1. TOP & BOTTOM BARS TO BE CONTINUOUS WITH TEMPERATURE REINFORCEMENT
2. TOP BARS TO BE CONTINUOUS OVER ALL SPANS
3. REINFORCEMENT TO BE REQUIRED IN BOTH DIRECTIONS
4. ALL TEMPERATURE REINFORCEMENT TO BE #4 @ 12" PERPENDICULAR TO DIRECTION OF MAIN REINFORCEMENT

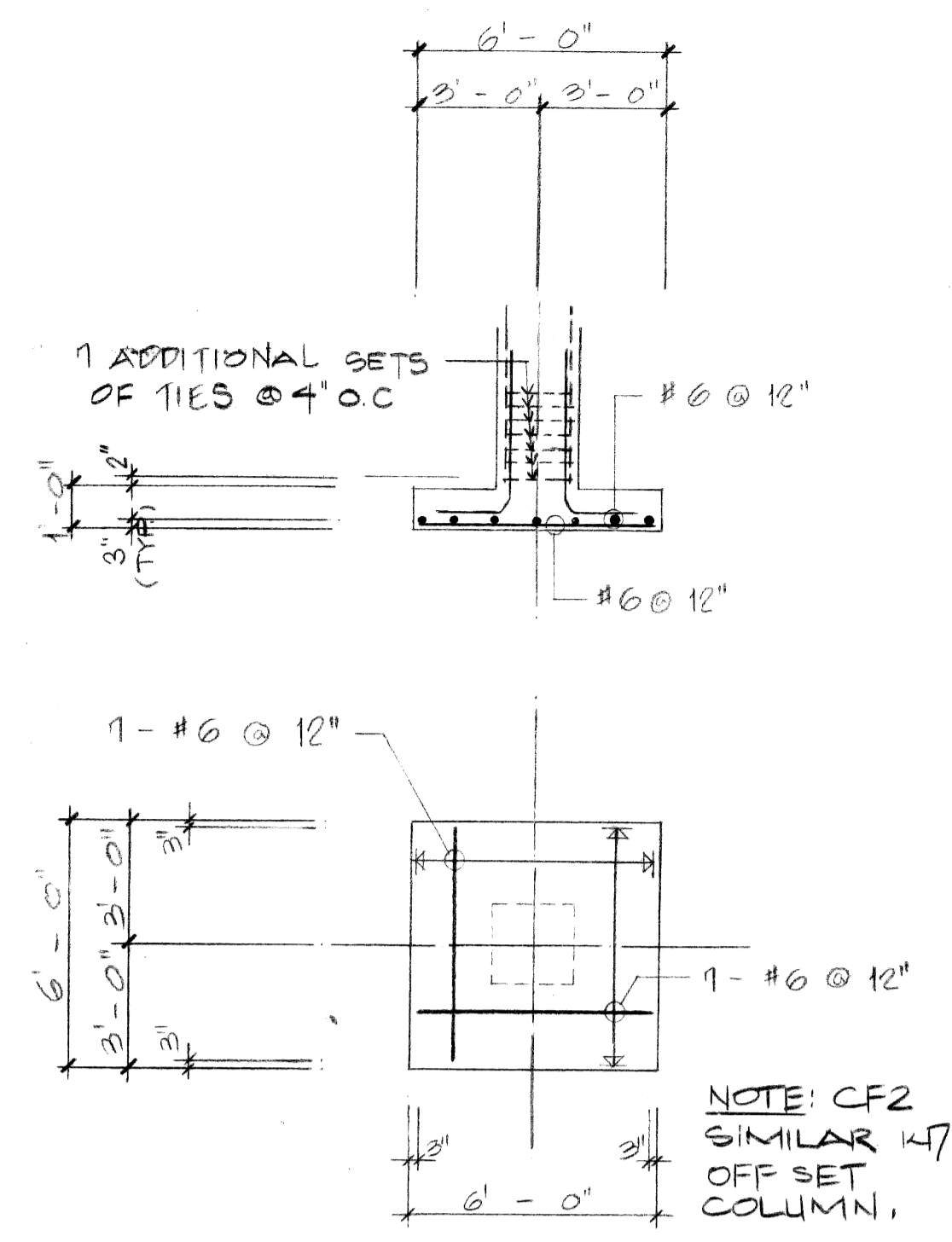
MARK	TYPE	THICKNESS	TOP BARS		BOTTOM BARS	REMARKS
			D	C	B	
A-WING	RS1	B	6"	#4 @ 12"	#4 @ 12"	SEE NOTE NO.4
	RS2	B	6"	#4 @ 12"	#4 @ 12"	A-WING
	2S1	B	6"	#4 @ 12"	#4 @ 12"	
	2S2	C	6"	#4 @ 10"	#4 @ 12"	
	2S3	B	6"	#4 @ 12"	#4 @ 12"	
	RS3	A	8"	#6 @ 6"	#4 @ 12"	
B-WING	RS1	B	6"	#4 @ 12"	#4 @ 12"	SEE NOTE NO.4
	RS2	D	6"	#4 @ 12"	#4 @ 12"	B-WING
	2S1	B	6"	#4 @ 10"	#4 @ 12"	
	2S2	C	6"	#4 @ 10"	#4 @ 12"	
C-WING	RS1	A	8"	#6 @ 6"	#4 @ 12"	SEE NOTE NO.4
	RS2	A	8"	#6 @ 6"	#4 @ 12"	SEE NOTE NO.1, & NO.4
	RS1	C	6"	#4 @ 12"	#4 @ 12"	SEE NOTE NO.4
	RS2	C	6"	#4 @ 12"	#4 @ 12"	C-WING, SEE NOTE NO.4
	2S1	A	8"	#6 @ 6"	#4 @ 12"	
	2S2	A	8"	#6 @ 6"	#4 @ 12"	SEE NOTE NO.1 & NO.4
	2S1	C	6"	#4 @ 8"	#4 @ 12"	C-WING, SEE NOTE NO.4
	2S2	C	6"	#4 @ 11"	#4 @ 12"	
	RS1A	C	6"	#4 @ 12"		SEE NOTE NO.2 & NO.4
	RS2A	C	6"	#4 @ 12"		
	2S1A	C	6"	#4 @ 8"		
	2S2A	C	6"	#4 @ 8"		
ENTRANCE	2S A	B	6"	#4 @ 10"	#4 @ 10"	SEE NOTE NO.3, & NO.4
	2S1	B	6"	#4 @ 10"	#4 @ 10"	ENTRANCE "
	2S2	B	6"	#4 @ 10"	#4 @ 10"	
	2S3	B	6"	#4 @ 10"	#4 @ 10"	
GENERAL STORAGE	RS1	B,C	5"	#4 @ 12"	#4 @ 12"	GENERAL STORAGE SEE NOTE NO.4

MARK	TYPE	THICKNESS	TOP BARS		BOTTOM BARS	REMARKS
			D	C	B	
SHOP	RS1	B	6"	#4 @ 12"	#4 @ 12"	SEE NOTE NO.4
	RS2	C		#4 @ 12"	#4 @ 12"	C BARS TO BE CONTINUOUS AT WALL BEYOND
	RS3	C		#4 @ 12"		
	RS4	B		#4 @ 12"		
	RS5	C				
	MS1	B	6"	#4 @ 12"	#4 @ 8"	
	MS2	C		#4 @ 8"	#4 @ 8"	
	MS3	C		#4 @ 8"	#4 @ 8"	
	MS4	B		#4 @ 12"	#4 @ 8"	
	MS5	D		#4 @ 12"	#4 @ 8"	

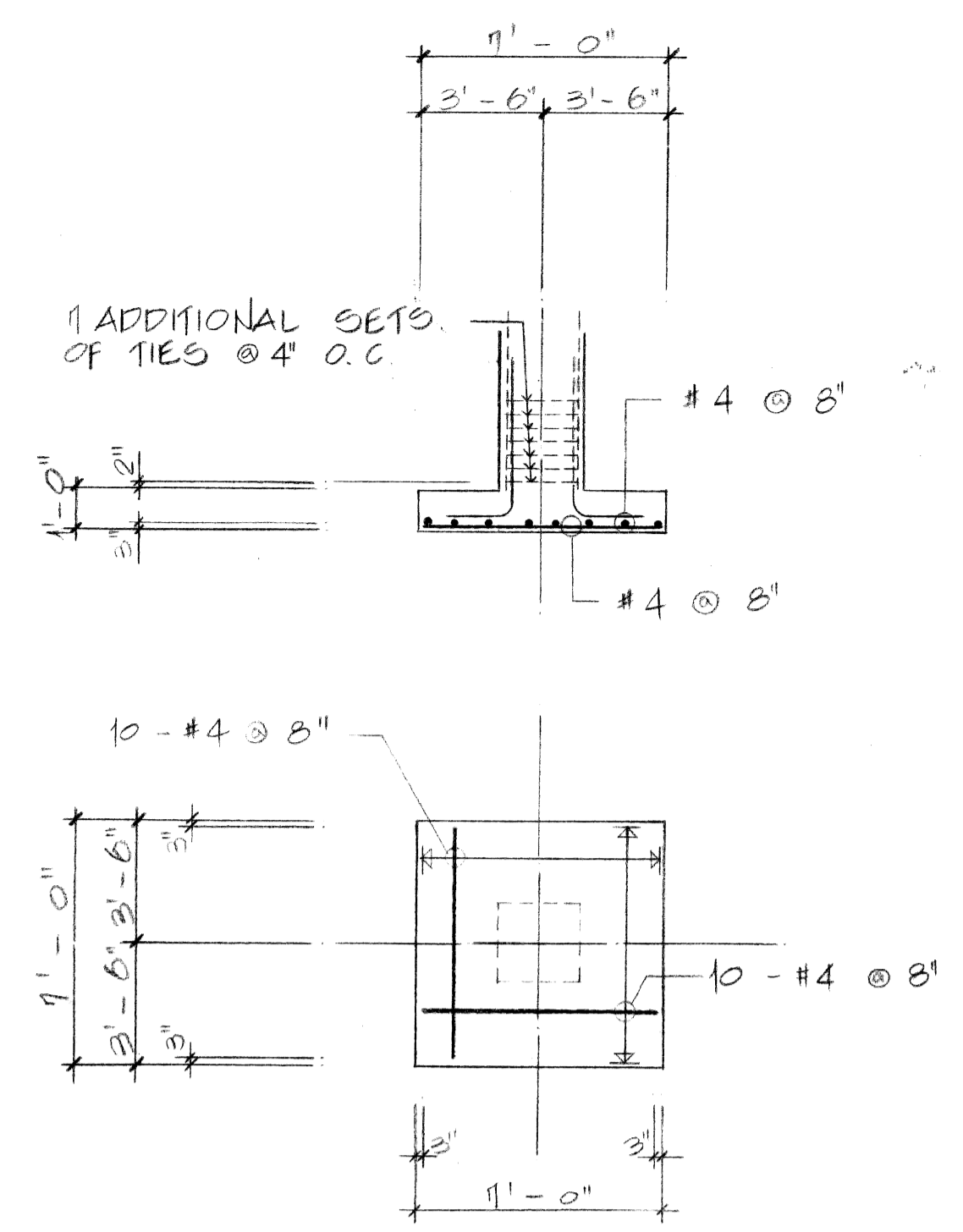
ENTRANCE



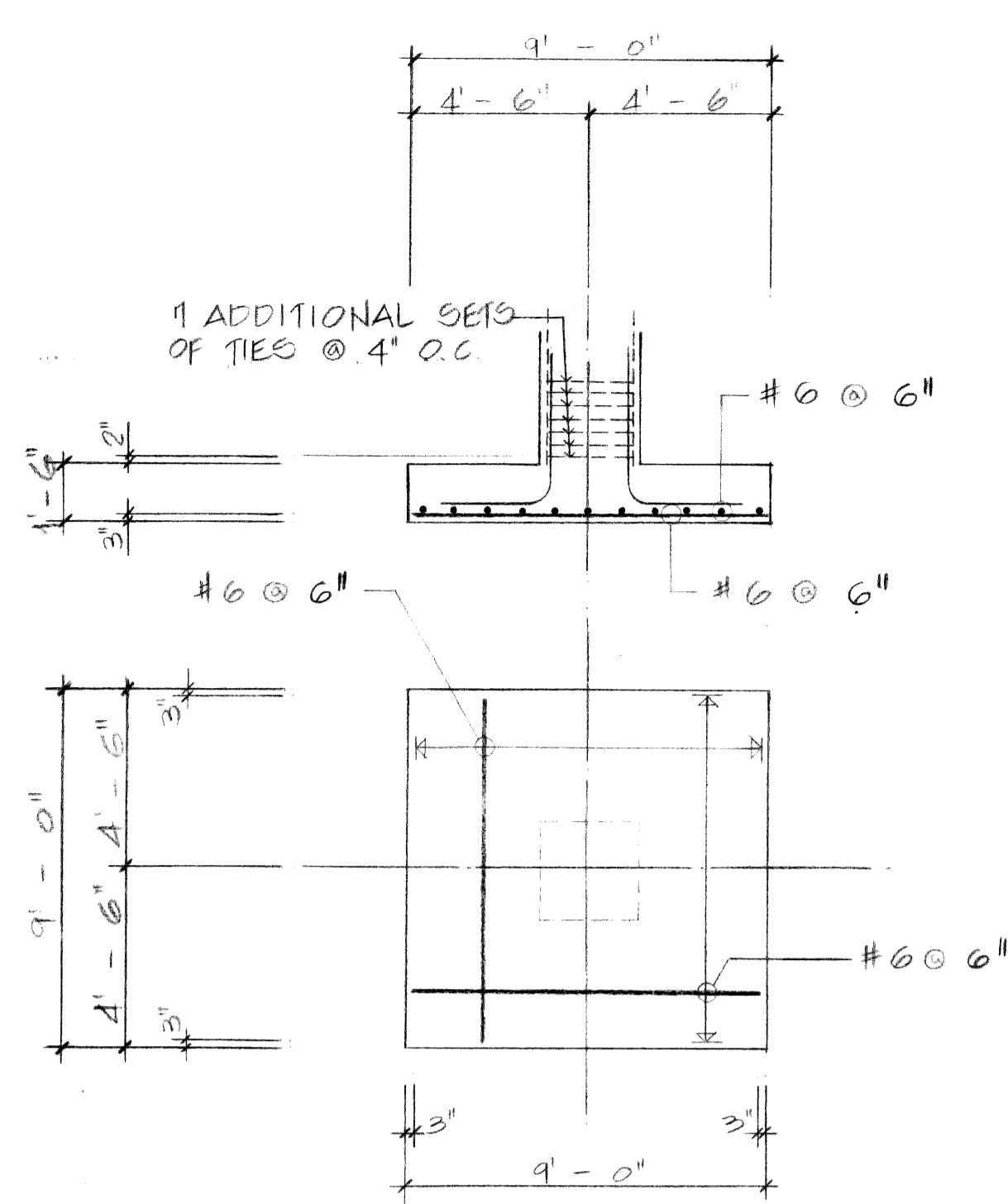
REVISION	DATE	DESCRIPTION	DRAWN	APPROVED
GOVERNMENT OF GUAM Department of Public Works				
PROJECT NO: 480-5108F-TM			DATE: 23-MAR-89	
UP GRADING and EXPANSION OF THE GUAM MEMORIAL HOSPITAL			DESIGNED BY: DG	
TAMUNING, PACKAGE III IV & V GUAM			DRAWN BY: AM	
DESCRIPTION OF DRAWING: REINFORCED SLAB TYPES & SCHEDULE			CHECKED BY: DG	
RECOMMENDED BY: [Signature]			SUPP. BY: DG	
CHIEF OF ENGINEERING			DATE: 4/3/89	
ARCHITECT: Taniguchi-Ruth & Associates			CONSULTING ARCHITECT: Rex Whitaker Allen, FAIA	
100 Cliff Business Center Agaña, Guam 96910			San Francisco, CA	
SCALE: NOT TO SCALE			DRAWER NO: S4.1	
			SHEET 131 of 290	



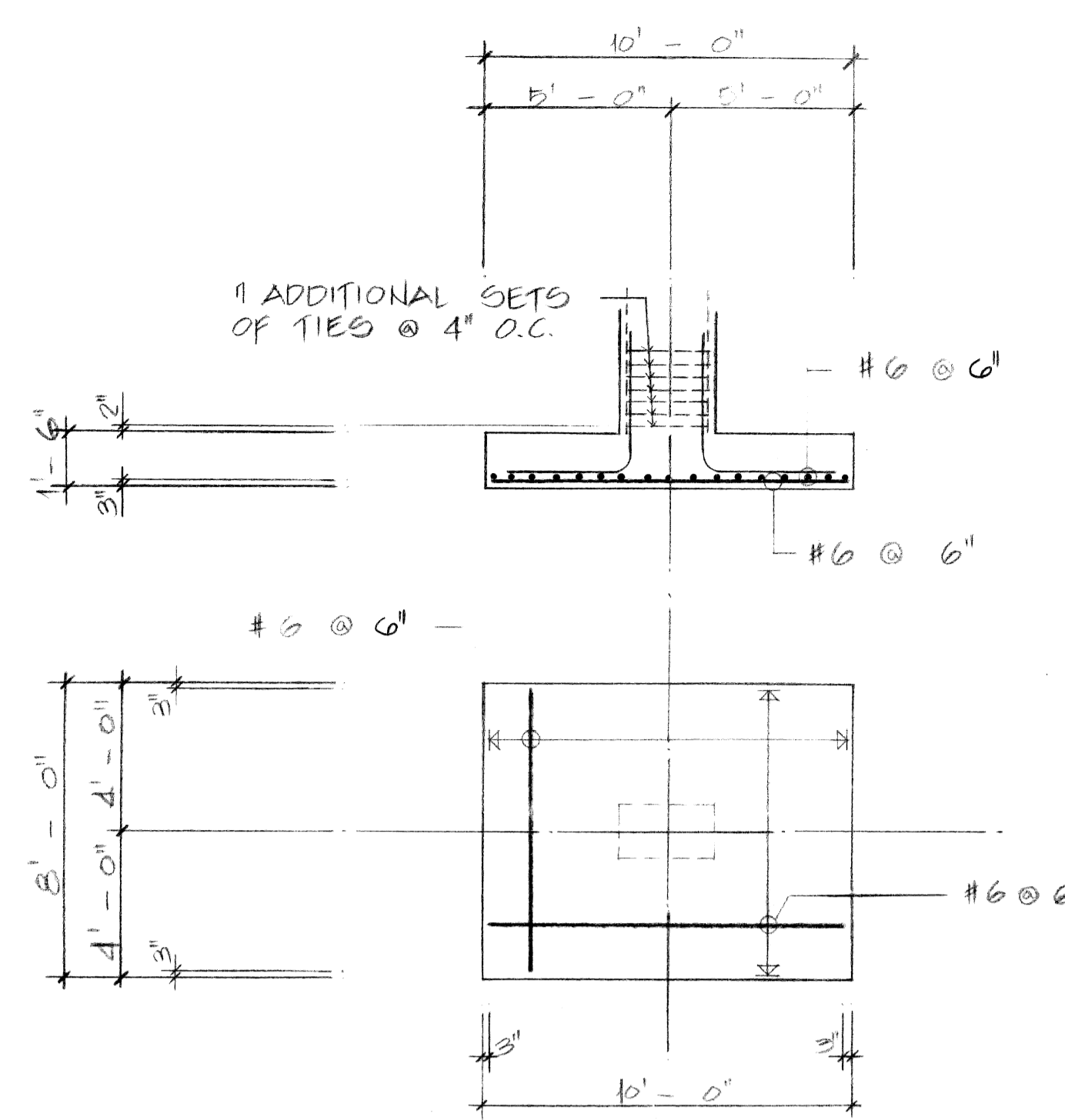
CF1 (A-WING)



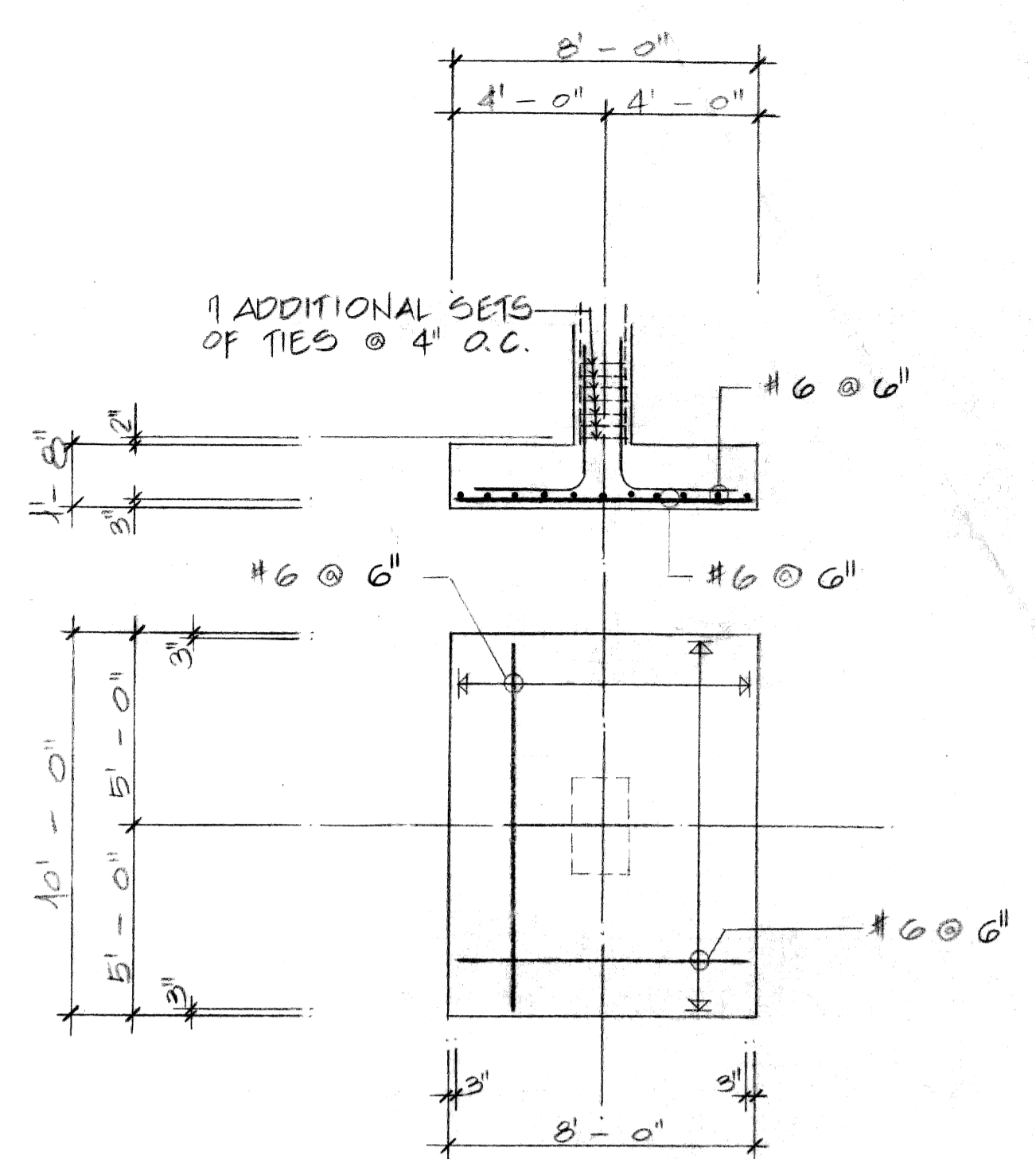
CF1 (B-WING)



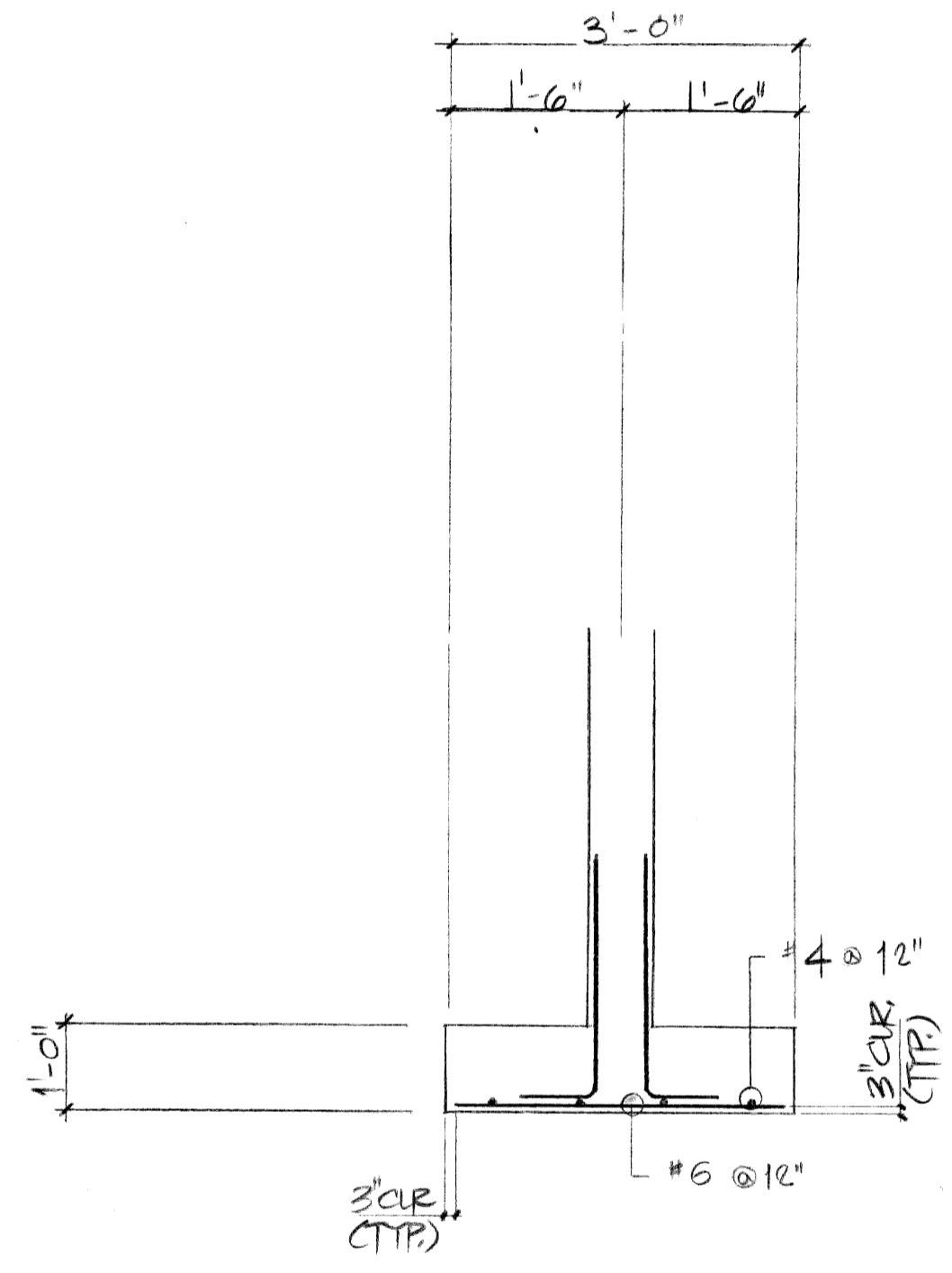
CF1 (C-WING)



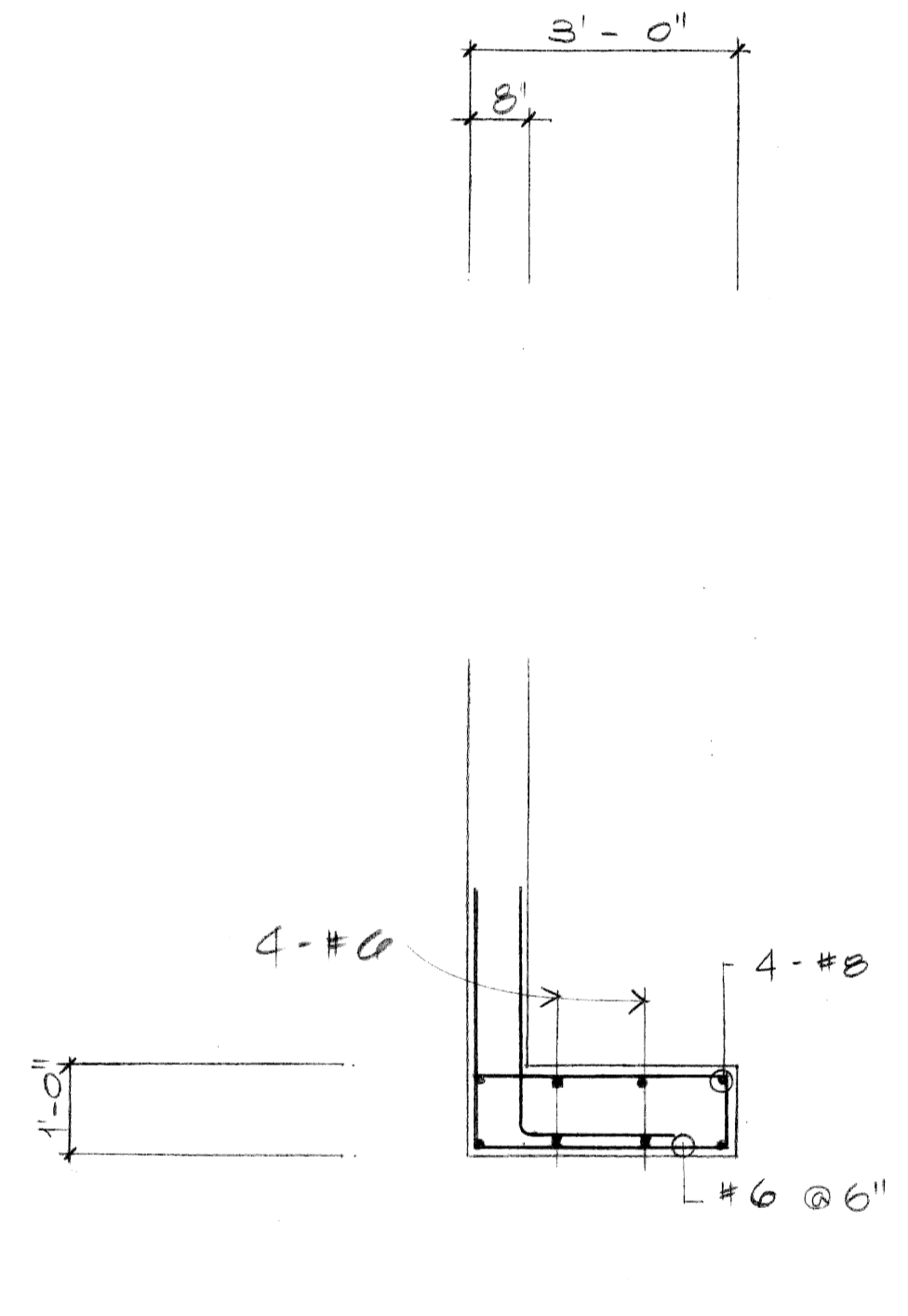
CF2 (C-WING)



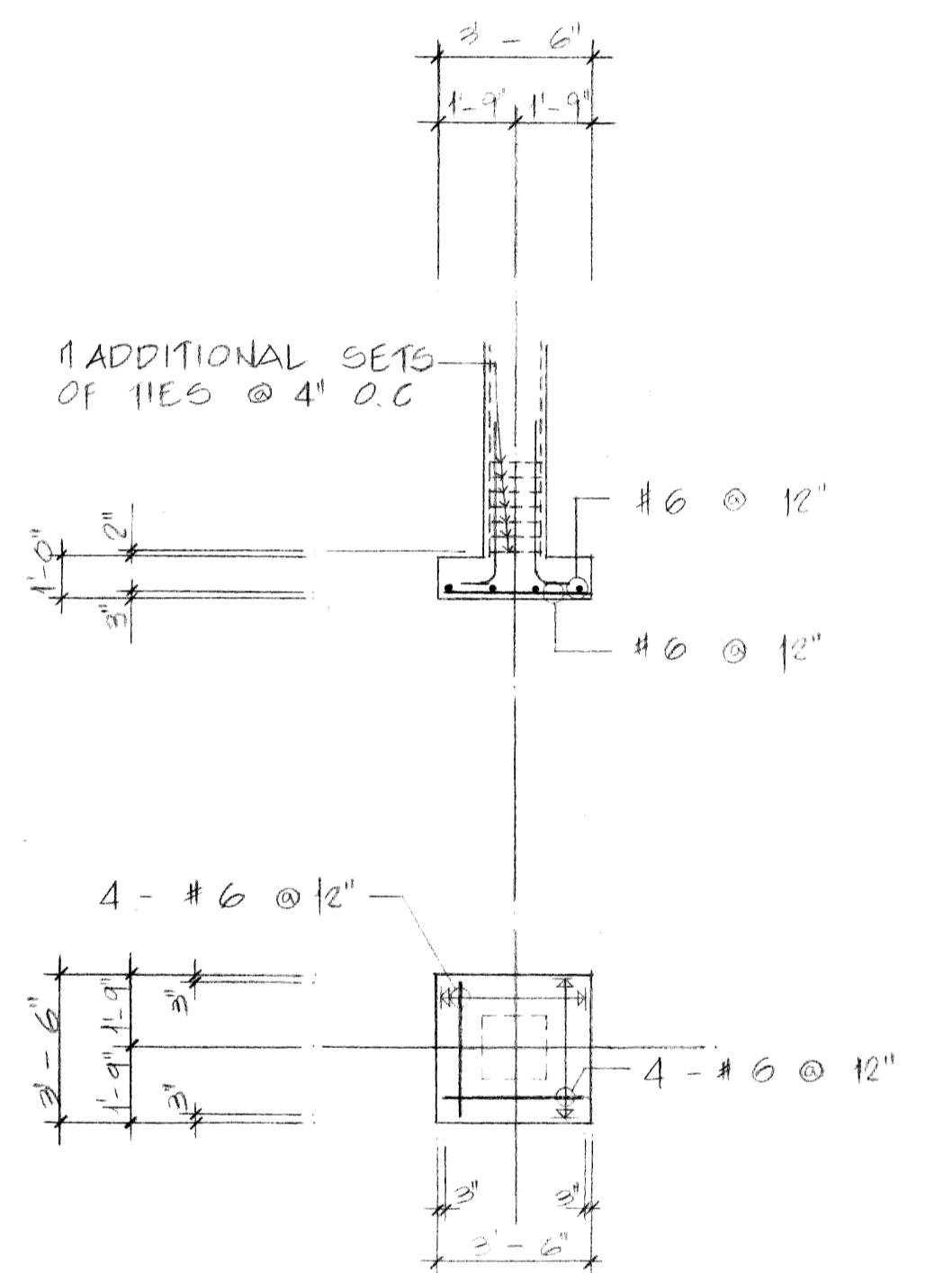
CF3 (C-WING)



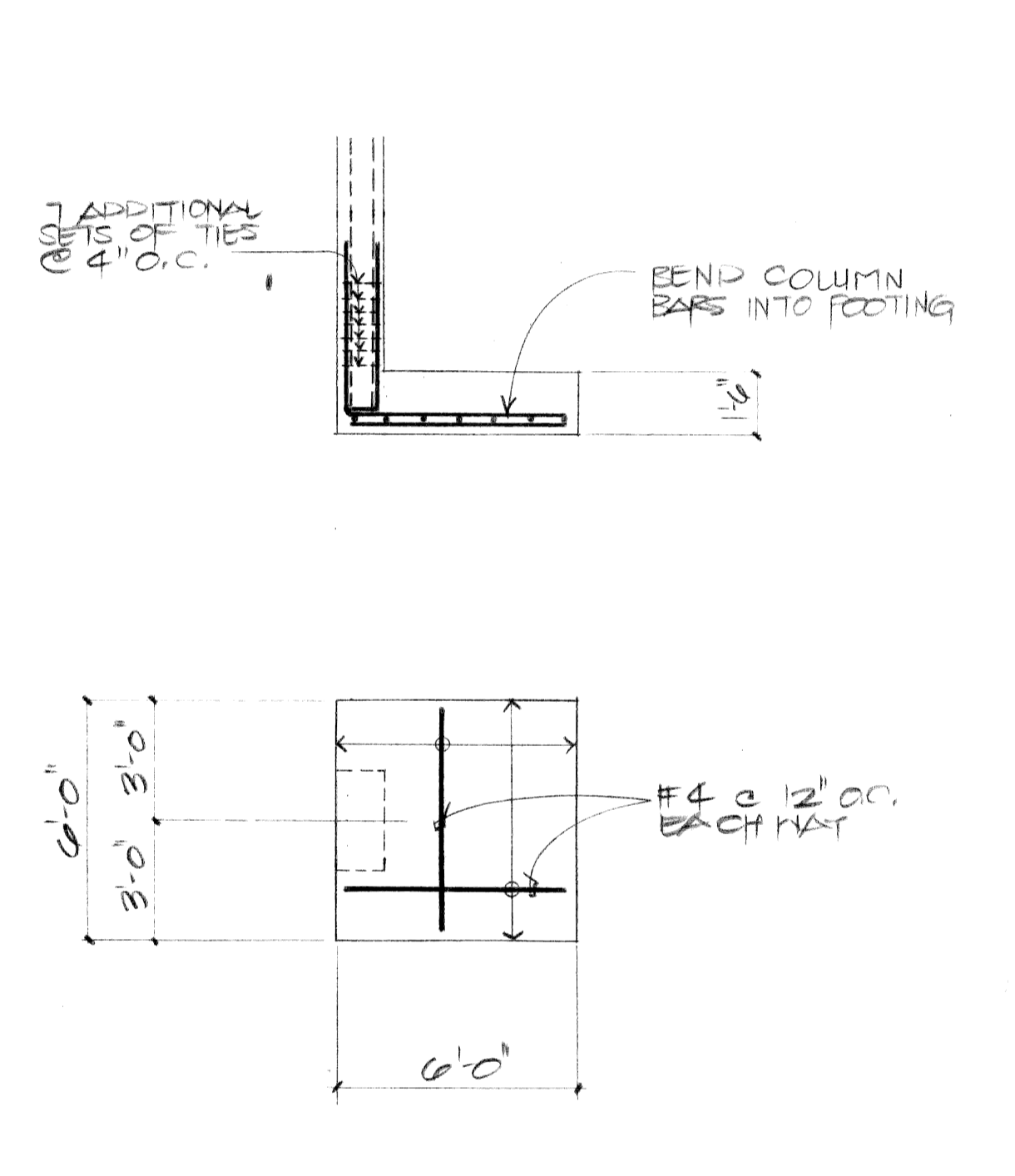
WF1 (SHOP)



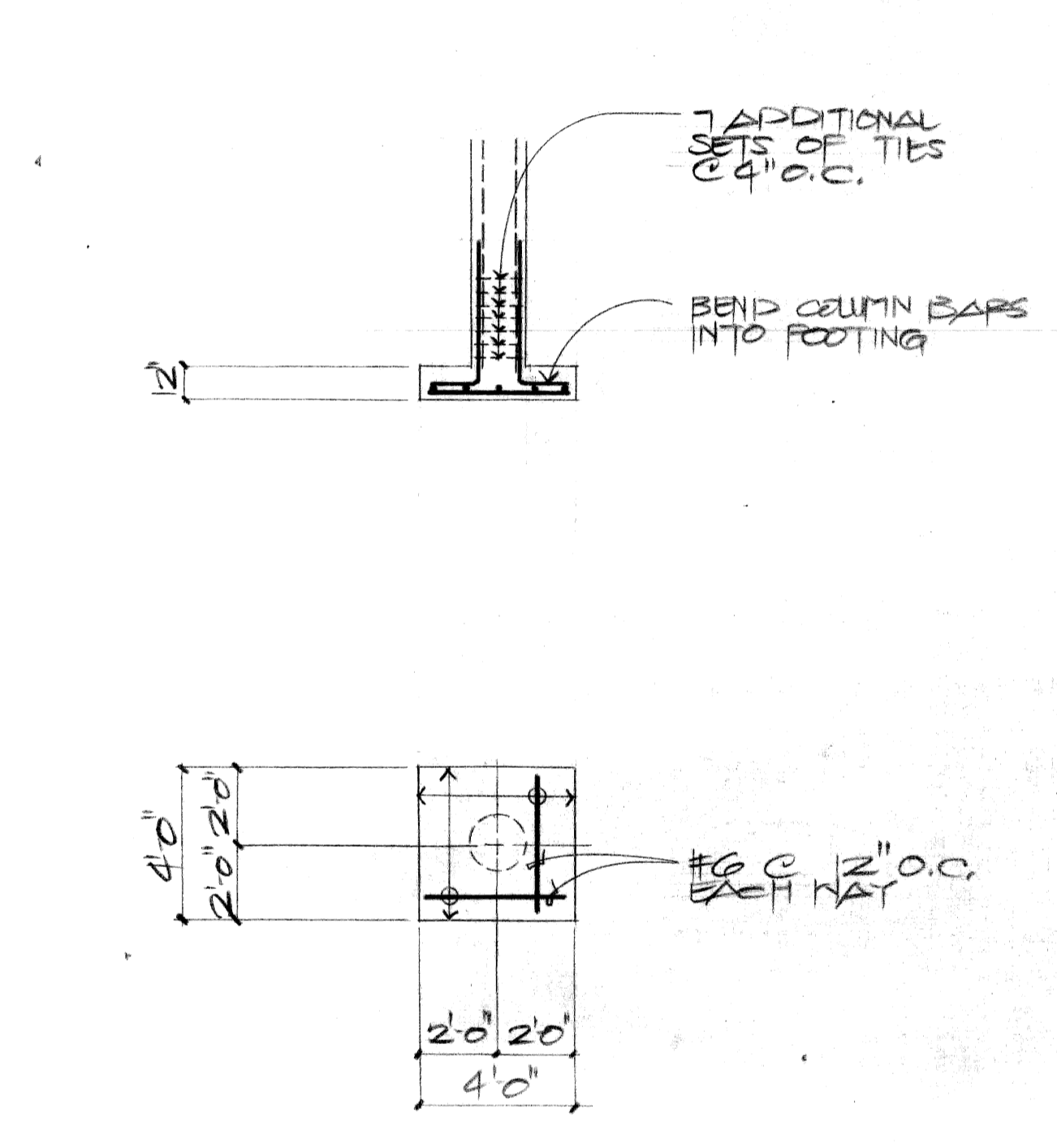
WF2 (SHOP)



CF3 (SHOP)

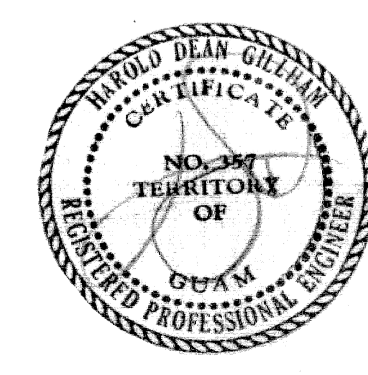


CF2 (A-WING) & (B-WING)

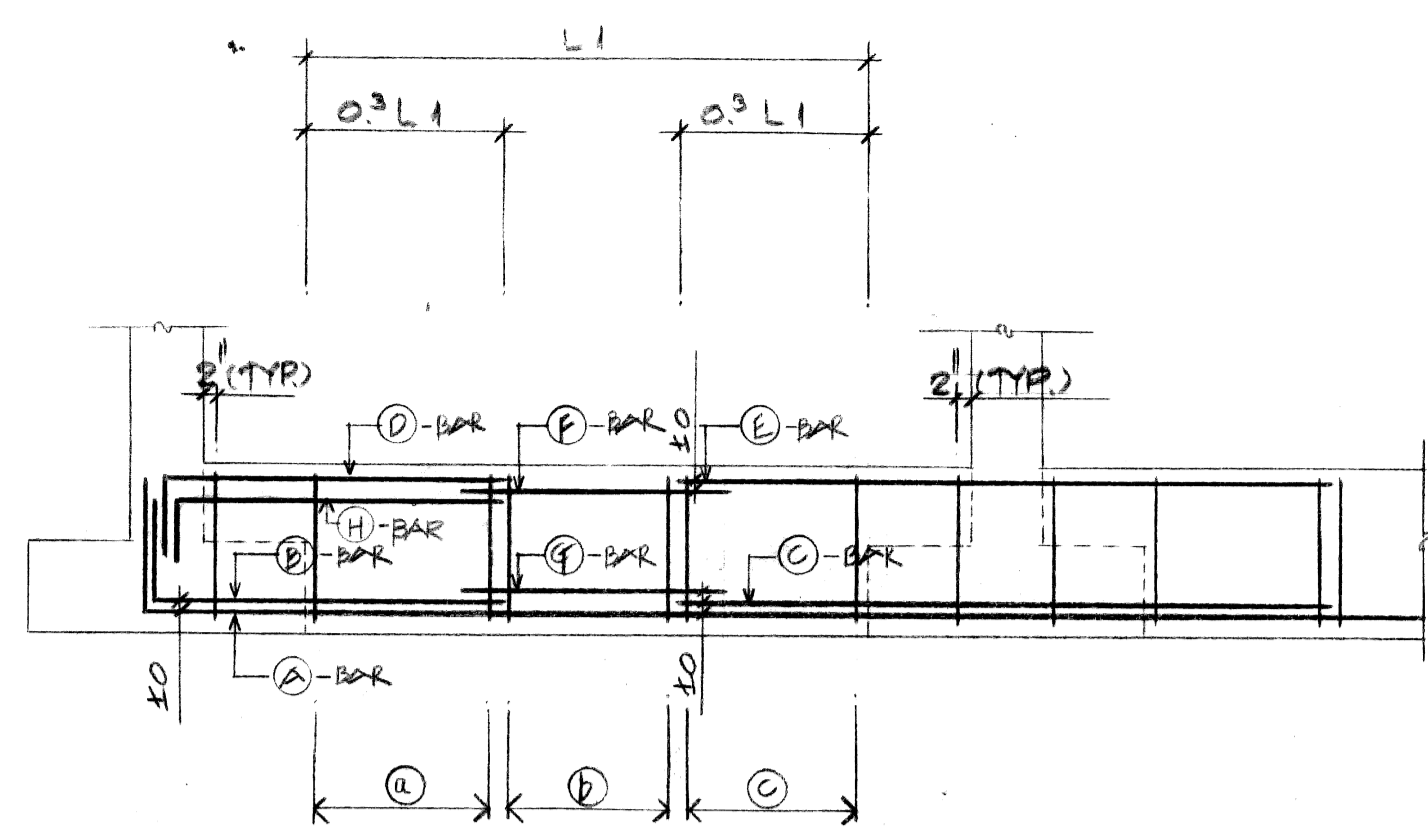


CF4 (ENTRANCE)

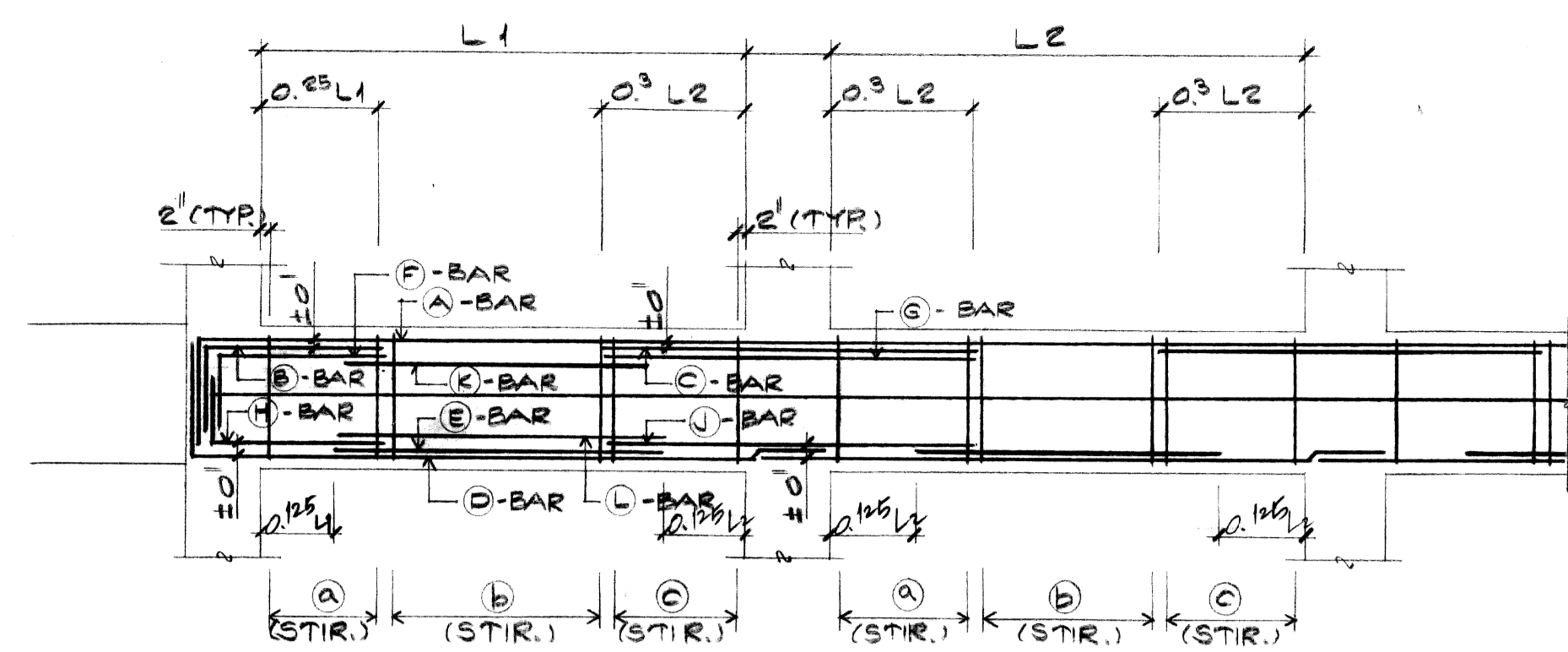
FOUNDATION RE-BAR DETAILS



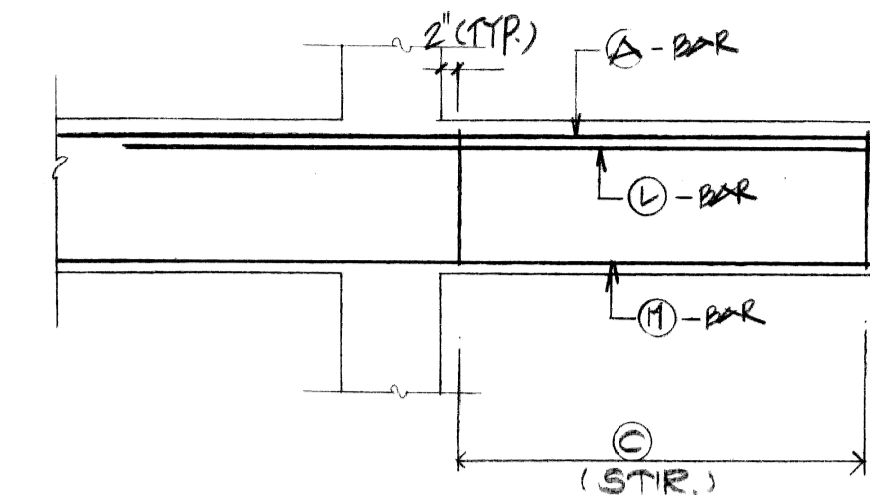
REVISION	DATE	DESCRIPTION	DRAWN	APPROVED
GOVERNMENT OF GUAM Department of Public Works				
PROJECT NO. 80-ED-18-F-TM1			DATE: 23-MAR-89	
UP GRADING and EXPANSION OF THE GUAM MEMORIAL HOSPITAL			DESIGNED BY: DGA	
TAMUNING, PACKAGE III, IV & V GUAM			DRAWN BY: AM	
DESCRIPTION OF DRAWING: FOUNDATION RE-BAR DETAILS			CHECKED BY: DGA	
RECOMMENDED BY: <i>ap</i>			DATE: 4/3/89	
ARCHITECT: Taniguchi-Ruth & Associates 100 Cliff Business Center Agaña, Guam 96910			CONSULTING ARCHITECT: Rex Whitaker Allen, FAIA San Francisco, CA	
DRAWER NO.:			SCALE: 1/4" = 1'-0"	
DRAWING NUMBER			PROJECT MANAGER	
SHEET 132			SECTION MANAGER	
			SHEET 54.2	
			OF 296	



TYP GRADE BEAM DETAIL-A
SCALE: NOT TO SCALE



TYP EXTERIOR BEAM DETAIL-B
SCALE: NOT TO SCALE



TYP CANTILEVER BEAM DETAIL-C
SCALE: NOT TO SCALE

BEAM SCHEDULE - 1

MARK	SIZE	A-WING													STIRRUPS			MIDDLE BAR	TYPE	REMARK
		TOP & BOTTOM BARS													a	b	c			
		A	B	C	D	E	F	G	H	J	K	L	M							
RG1	18" x 24"	2-#8			2-#8										#3 @ 5"	#3 @ 6"	#3 @ 5"		B	
RG2	18" x 24"	↓			↓										↓	#3 @ 6"	↓		↓	
RG3	18" x 24"	↓	1-#8	1-#8	↓										#3 @ 5"	#3 @ 5"	#3 @ 5"		↓	
RG4	18" x 24"	2-#8	2-#8	2-#8	2-#8	2-#8									#4 @ 6"	#4 @ 6"	#4 @ 6"		↓	
RB1	12" x 24"	2-#9	1-#9	1-#9	3-#8										#3 @ 5"	#3 @ 10"	#3 @ 5"		B	
RB2	12" x 24"	2-#9	1-#9	1-#9	3-#8										#3 @ 5"	#3 @ 10"	#3 @ 5"		↓	
2G1	18" x 24"	2-#8	1-#8	1-#8	2-#8										#3 @ 5"	#3 @ 7"	#3 @ 5"		B	
2G2	18" x 24"	↓	1-#8	1-#8	2-#8										↓	#3 @ 7"	↓		↓	
2G3	24" x 24"	2-#9	3-#9	3-#9	2-#9				1-#9	1-#9					#4 @ 5"	#4 @ 5"	#4 @ 5"		↓	
2G4	18" x 24"	2-#8	2-#8	2-#8	2-#8										#3 @ 5"	#3 @ 5"	#3 @ 5"		↓	
2G5	18" x 24"	2-#8	2-#8	2-#8	2-#8										↓	↓	↓		↓	
2G6	24" x 24"	2-#9	4-#9	4-#9	3-#9										#4 @ 4"	#4 @ 4"	#4 @ 4"		B	
2B1	18" x 24"	2-#9	3-#9	3-#9	2-#9	2-#9									#3 @ 5"	#3 @ 10"	#3 @ 5"		B	
2B2	↓	↓	↓	↓	↓	↓									↓	↓	↓		↓	
2B3	↓	2-#8	1-#8	1-#8	2-#8										↓	↓	↓		↓	
2C1	18" x 24"	2-#9											2-#9	#3 @ 5"	#3 @ 10"	#3 @ 5"		C		
TG1	24" x 30"	2-#9	3-#9	3-#9	2-#9	2-#9	2-#9								#4 @ 5"	#4 @ 10"	#4 @ 5"		A	
TG2	24" x 30"	4-#9	3-#9	3-#9	4-#9	4-#9	5-#9								↓	↓	↓		A	
		B-WING																		
RG1	18" x 24"	2-#9	2-#9	2-#9	2-#9										#3 @ 5"	#3 @ 5"	#3 @ 5"		B	
RG2	18" x 24"	↓	↓	↓	↓										↓	#3 @ 5"	↓		↓	
RG3	18" x 24"	2-#8	1-#8	1-#8	2-#8										#3 @ 5"	#3 @ 7"	#3 @ 5"		↓	
RG4	18" x 24"		1-#8	1-#8	2-#8	1-#8									#3 @ 5"	#3 @ 7"	#3 @ 5"		↓	
RB1	12" x 24"	2-#8	1-#8	1-#8	2-#8	1-#8									#3 @ 5"	#3 @ 10"	#3 @ 5"		B	
2G1	18" x 24"	2-#8	2-#8	2-#8	2-#8										#3 @ 5"	#3 @ 10"	#3 @ 5"		B	
2G2	↓	↓	2-#8	2-#8	↓										↓	#3 @ 10"	#3 @ 5"		↓	
2G3	24" x 24"	2-#9	4-#9	4-#9	↓				2-#9	2-#9					#4 @ 4"	#4 @ 4"	#4 @ 4"		↓	REINFORCEMENT TO B EXTENDED INTO CANTILEVER
2G4	24" x 24"	2-#9	4-#9	4-#9	2-#8		2-#9	2-#9	1-#9	1-#9					#4 @ 4"	#4 @ 4"	#4 @ 4"		↓	
2B1	18" x 24"	2-#9	3-#9	3-#9	2-#9	2-#9									#3 @ 5"	#3 @ 10"	#3 @ 5"		B	
2B2	18" x 24"	2-#9	3-#9	3-#9	2-#9	2-#9									#3 @ 5"	#3 @ 10"	#3 @ 5"		↓	
TG1	18" x 24"	2-#8	2-#8	2-#8	2-#8	2-#8	2-#8								#3 @ 5"	#3 @ 10"	#3 @ 5"		B	
TG2	18" x 24"	2-#8	2-#8	2-#8	2-#8	↓	↓								#3 @ 5"	#3 @ 10"	#3 @ 5"		↓	
TG3	18" x 24"	2-#8	2-#8	2-#8	2-#8	↓	↓								#3 @ 5"	#3 @ 10"	#3 @ 5"		↓	
2B3	12" x 24"	2-#8			2-#8										#3 @ 5"	#3 @ 10"	#3 @ 5"		B	
2B4	12" x 24"	2-#8			2-#8										#3 @ 5"	#3 @ 10"	#3 @ 5"		↓	
2CG1	18" x 24"	2-#9										2-#9	2-#9	#3 @ 5"	#3 @ 5"	#3 @ 5"		C		
2CG2	18" x 24"	2-#9										4-#9	2-#9	#3 @ 5"	#3 @ 5"	#3 @ 5"		C		



REVISION	DATE	DESCRIPTION	DRAWN	APPROVED
<p>GOVERNMENT OF GUAM Department of Public Works</p> <p>PROJECT NO: 480-5-106-F7A1 DATE: 23-MAR-89</p> <p>DESIGNED BY: DG DRAWN BY: AM CHECKED BY: DG SUPV. BY: DG</p> <p>DESCRIPTION OF DRAWING: BEAM TYPES & SCHEDULE - 1</p> <p>RECOMMENDED BY: <i>[Signature]</i> DATE: 4/3/89</p> <p>ARCHITECT: Taniguchi-Ruth & Associates 100 Cliff Business Center Agaña, Guam 96910</p> <p>CONSULTING ARCHITECT: Rex Whitaker Allen, FAIA San Francisco, CA</p> <p>SCALE: NOT TO SCALE</p> <p>DRAWING NUMBER: S4.3 SHEET 133 OF 296</p>				

C-WING BEAM SCHEDULE

MARK	SIZE	TOP & BOTTOM BARS											STIRRUPS			MIDDLE BAR	TYPE	REMARK				
		A	B	C	D	E	F	G	H	J	K	L	M	a	b				c			
2B1	20" x 24"	5-#9			4-#9												#4 @ 6"	#4 @ 6"	#4 @ 6"		B	
2B2	20" x 24"	5-#9			4-#9												#4 @ 6"	#4 @ 6"	#4 @ 6"		B	
2B3	20" x 24"	5-#9			4-#9												#4 @ 6"	#4 @ 6"	#4 @ 6"		B	
RG1	24" x 30"	2-#9	2-#9	2-#9	3-#9							1-#9					#4 @ 7"	#4 @ 7"	#4 @ 7"		B	
RG2			2-#9	2-#9								1-#9										
RG3			2-#9	2-#9								1-#9										
RG4			2-#9	2-#9	3-#9							1-#9										
RG5			4-#9	4-#9	2-#9	2-#9			1-#9	1-#9		1-#9				#4 @ 6"	#4 @ 6"	#4 @ 6"				
RG6			4-#9						1-#9			1-#9										
RG7		2-#9	4-#9		3-#9	1-#9						1-#9										
RG8		3-#9	3-#9	3-#9	2-#9	2-#9			1-#9	1-#9						#4 @ 6"	#4 @ 6"	#4 @ 6"				
RG9					3-#9											#3 @ 5"	#3 @ 5"	#3 @ 5"				
RG10					3-#9																	
RG11					3-#9																	
RG12	24" x 30"	3-#9			3-#9																	
RG13		2-#9	3-#9	3-#9	3-#9							1-#9				#4 @ 7"	#4 @ 7"	#4 @ 7"				
RG14		2-#9	2-#9	2-#9	3-#9							1-#9				#4 @ 7"	#4 @ 7"	#4 @ 7"				
RG15			2-#9	2-#9								1-#9										
RG16			3-#9	3-#9								1-#9				#3 @ 5"	#3 @ 5"	#3 @ 5"				
RG17			2-#9	2-#9								1-#9				#3 @ 5"	#3 @ 5"	#3 @ 5"				
RG18	24" x 30"	2-#9	2-#9	2-#9	3-#9							1-#9				#3 @ 5"	#3 @ 5"	#3 @ 5"				
RCG1	20" x 24"	2-#9											3-#9	2-#9		#3 @ 5"	#3 @ 5"	#3 @ 5"				C
RCG2													3-#9	2-#9		#3 @ 5"	#3 @ 5"	#3 @ 5"				C
RB1	16" x 30"	2-#9			2-#9											#3 @ 6"	#3 @ 6"	#3 @ 6"				B
RB2	16" x 30"	2-#9			2-#9											#3 @ 6"	#3 @ 6"	#3 @ 6"				B
RB3	16" x 30"	2-#9			2-#9											#3 @ 6"	#3 @ 6"	#3 @ 6"				B
2G1	24" x 36"	2-#9	3-#9	3-#9	3-#9							1-#9				#4 @ 7"	#4 @ 7"	#4 @ 7"				B
2G2		2-#9	3-#9	3-#9	3-#9							1-#9										
2G3		2-#9	3-#9	3-#9	3-#9							1-#9										
2G4		2-#9	3-#9	3-#9	3-#9							1-#9				#4 @ 7"	#4 @ 7"	#4 @ 7"				
2G5		3-#9	3-#9	3-#9	3-#9	1-#9										#4 @ 5"	#4 @ 5"	#4 @ 5"				
2G6			3-#9	3-#9	3-#9											#4 @ 5"	#4 @ 5"	#4 @ 5"				
2G7			3-#9	3-#9	3-#9											#4 @ 5"	#4 @ 5"	#4 @ 5"				
2G8			3-#9	3-#9	3-#9	1-#9										#4 @ 5"	#4 @ 5"	#4 @ 5"				
2G9		3-#9			3-#9											#4 @ 7"	#4 @ 7"	#4 @ 7"				
2G10					3-#9																	
2G11					3-#9																	
2G12	24" x 36"				3-#9																	
2G13	24" x 36"	3-#9	3-#9	3-#9	3-#9											#4 @ 6"	#4 @ 6"	#4 @ 6"				
2G14		3-#9	2-#9	2-#9												#4 @ 7"	#4 @ 7"	#4 @ 7"				
2G15			1-#9	1-#9												#4 @ 7"	#4 @ 7"	#4 @ 7"				
2G16			2-#9	2-#9												#4 @ 7"	#4 @ 7"	#4 @ 7"				
2G17			2-#9	2-#9												#4 @ 7"	#4 @ 7"	#4 @ 7"				
2G18	24" x 36"	3-#9	1-#9	1-#9	3-#9											#4 @ 7"	#4 @ 7"	#4 @ 7"				B
2CG1	20" x 24"	2-#9											4-#9	2-#9		#3 @ 5"	#3 @ 5"	#3 @ 5"				C
7G1	24" x 30"	2-#9	3-#9	3-#9	2-#9	2-#9	2-#9									#4 @ 5"	#4 @ 10"	#4 @ 5"				A
7G2																						
7G3																						
7G4																						
7G5																						
7G6																						
7G7																						
7G8																						
7G9																						
7G10																						
7G11																						
7G12																						
7G13		4-#9			4-#9	4-#9																
7G14																						
7G15																						
7G16																						

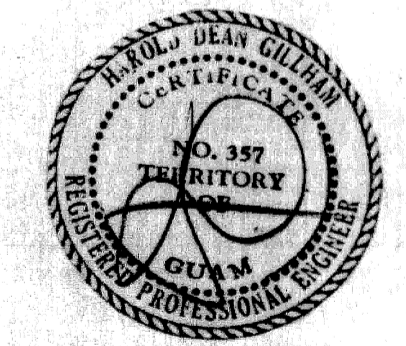
REINFORCEMENT TO BE EXTEND TO CANTILEVER (C-TYPE @ (D) BARS)

REINFORCEMENT TO BE EXTEND TO CANTILEVER (C-TYPE @ (D) BARS)

REINFORCEMENT TO BE EXTEND TO CANTILEVER (C-TYPE @ (D) BARS)

REINFORCEMENT TO BE EXTEND TO CANTILEVER (C-TYPE @ (D) BARS)

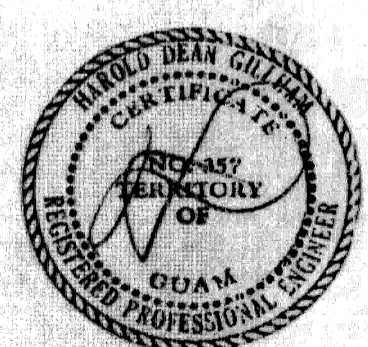
REINFORCEMENT TO BE EXTEND TO CANTILEVER (C-TYPE @ (D) BARS)



REVISION	DATE	DESCRIPTION	DRAWN	APPROVED
GOVERNMENT OF GUAM Department of Public Works				
PROJECT NO. 900-51018-F-141			DATE: 23-MAR-89	
DESIGNED BY: DG			DRAWN BY: AM	
UP GRADING and EXPANSION OF THE GUAM MEMORIAL HOSPITAL			CHECKED BY: DG	
TAMUNING, PACKAGE III, IV & V GUAM			SUPV. BY: DG	
DESCRIPTION OF DRAWING: BEAM C-WING SCHEDULE - 2				
RECOMMENDED BY: <i>[Signature]</i>			DATE: 4/3/89	
ARCHITECT: Taniguchi-Ruth & Associates			CONSULTING ARCHITECT: Rex Whitaker Allen, FAIA	
100 Cliff Business Center, Agaña, GUAM 96910			San Francisco, CA	
SCALE: NOT TO SCALE			DRAWING NUMBER: S4.4	
			SHEET 134 of 296	

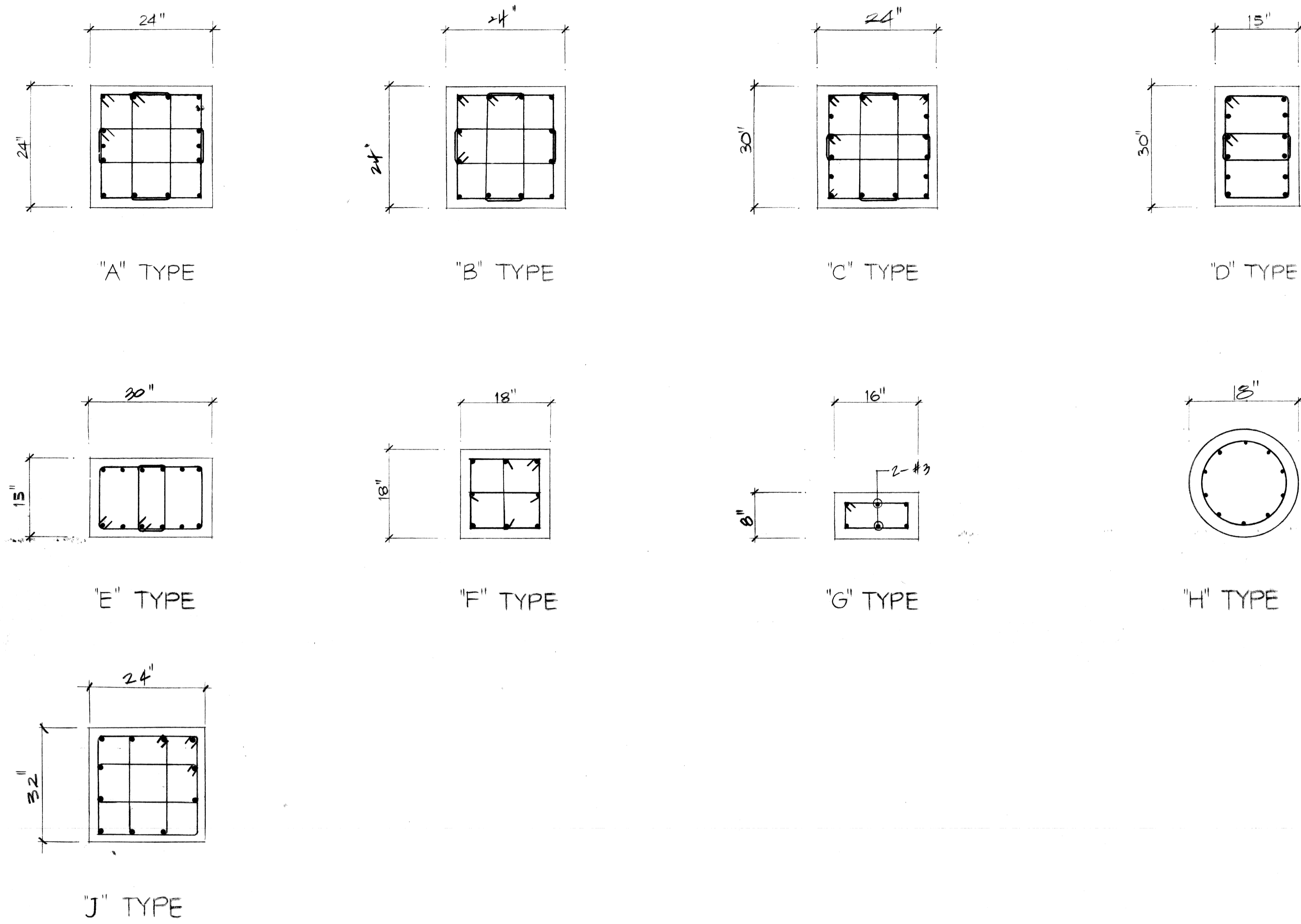
BEAM SCHEDULE - 3

MARK	SIZE	TOP & BOTTOM BARS											STIRRUPS			MIDDLE BAR	TYPE	REMARK				
		A	B	C	D	E	F	G	H	I	J	K	L	M	a				b	c		
ENTRANCE																						
ZCG1	14' x 36'	2-#8	1-#8	1-#8	2-#8												#4 @ 6"	#4 @ 10"	#4 @ 6"		B	
ZCG2																						
ZCG3			1-#8	1-#8																		
ZCG4			2-#8	2-#8																		
ZCCG1	14' x 36'	2-#8										1-#8	2-#8				#4 @ 6"	#4 @ 10"	#4 @ 6"		C	ENTRANCE
ZCCG2												1-#8	2-#8				#4 @ 6"	#4 @ 10"	#4 @ 6"		C	
ZCB1	12' x 36'	2-#8			2-#8												#4 @ 6"	#4 @ 12"	#4 @ 6"		B	
ZCB2																						
ZCB3																						
ZCB4	12' x 36'	2-#8			2-#8												#4 @ 6"	#4 @ 12"	#4 @ 6"		B	
ZCB5	12' x 36'	2-#8															#4 @ 6"	#4 @ 12"	#4 @ 6"		C	
ZCB6	12' x 16'	3-#7			3-#7												#4 @ 4"	#4 @ 12"	#4 @ 4"		B	
SHOPS																						
RG1	18' x 24'	2-#8	1-#8	1-#8	2-#8												#3 @ 5"	#3 @ 10"	#3 @ 5"		B	
RG2	18' x 24'	2-#8	1-#8	1-#8	2-#8	1-#8											#3 @ 5"	#3 @ 10"	#3 @ 5"		B	
RB1	12' x 24'	2-#8			2-#8	1-#8											#3 @ 5"	#3 @ 10"	#3 @ 5"		B	
RB2			1-#8	1-#8		1-#8											#3 @ 5"	#3 @ 10"	#3 @ 5"			
RB3			1-#8	1-#8													#3 @ 5"	#3 @ 10"	#3 @ 5"			
RB4	12' x 24'	2-#8			2-#8												#4 @ 5"	#4 @ 8"	#4 @ 5"		B	
SHOPS (MEZZANINE LEVEL)																						
MG1	12' x 24'	2-#8			2-#8	1-#8											#3 @ 5"	#3 @ 8"	#3 @ 5"		B	
MG2	12' x 24'	2-#8			2-#8												#3 @ 5"	#3 @ 8"	#3 @ 5"		B	
MB1	10' x 24'	2-#8			2-#8												#3 @ 5"	#3 @ 8"	#3 @ 5"		B	
MB2	10' x 24'	2-#8			2-#8												#3 @ 5"	#3 @ 8"	#3 @ 5"		B	
GENERAL STORAGE																						
RG1	24' x 24'	2-#9	1-#9	4-#9	3-#9	2-#9		3-#9		1-#9							#4 @ 4"	#4 @ 6"	#4 @ 4"		B	
RG2		2-#9	1-#9	4-#9	3-#9	2-#9		3-#9		1-#9							#4 @ 4"	#4 @ 6"	#4 @ 4"			
RG3		2-#9	1-#9	4-#9	3-#9	2-#9		3-#9		1-#9							#4 @ 4"	#4 @ 6"	#4 @ 4"			
RG4		2-#8	1-#8	1-#8	2-#8												#4 @ 6"	#4 @ 8"	#4 @ 6"			
RG5		2-#8	1-#8	1-#8	2-#8												#4 @ 6"	#4 @ 8"	#4 @ 6"			
RG6		2-#8	1-#8	1-#8	2-#8												#4 @ 6"	#4 @ 8"	#4 @ 6"			
RG7	18' x 24'	2-#8	2-#8	2-#8	2-#8	1-#8											#4 @ 6"	#4 @ 8"	#4 @ 6"			
RG8	18' x 24'	2-#8	2-#8	2-#8	2-#8	1-#8											#4 @ 6"	#4 @ 8"	#4 @ 6"		B	
RCG1	18' x 24'	2-#9									3-#9	2-#9					#4 @ 4"	#4 @ 4"	#4 @ 4"		C	
RB1	12' x 24'	2-#8	1-#8	1-#8	2-#8												#4 @ 6"	#4 @ 8"	#4 @ 6"		B	
RB2	12' x 24'	2-#8	1-#8	1-#8	2-#8												#4 @ 6"	#4 @ 8"	#4 @ 6"		B	
RB3	10' x 22'	2-#8			2-#8												#3 @ 5"	#3 @ 8"	#3 @ 5"			
RCG2	8' x 24'	2-#8									1-#8	2-#8					#3 @ 5"	#3 @ 5"	#3 @ 5"		C	



REVISION	DATE	DESCRIPTION	DRAWN	APPROVED
1-2	4-14-89	BEAM ADDITION/CORRECTION	AM	[Signature]
GOVERNMENT OF GUAM Department of Public Works				
UP GRADING and EXPANSION OF THE GUAM MEMORIAL HOSPITAL TAMUNING, PACKAGE III, IV & V GUAM			DESIGNED BY: DG	PROJECT NO: 480-5-1018-F-JAM
			DRAWN BY: AM	DATE: 23-MAR-89
			CHECKED BY: DG	
			SUPV. BY: DG	
DESCRIPTION OF DRAWING: BEAM RE BAR SCHEDULE - 3			[Signature] PROJECT MANAGER	
RECOMMENDED BY: [Signature]			[Signature] SECTION MANAGER	
CHIEF OF ENGINEERING			DATE: 4/3/89	
ARCHITECT: Taniguchi-Ruth & Associates 100 Cliff Business Center Agaña, Guam 96910	CONSULTING ARCHITECT: Rex Whitaker Allen, FAIA San Francisco, CA	SCALE: NOT TO SCALE	DRAWING NUMBER: S4.5 SHEET 135 of 290	

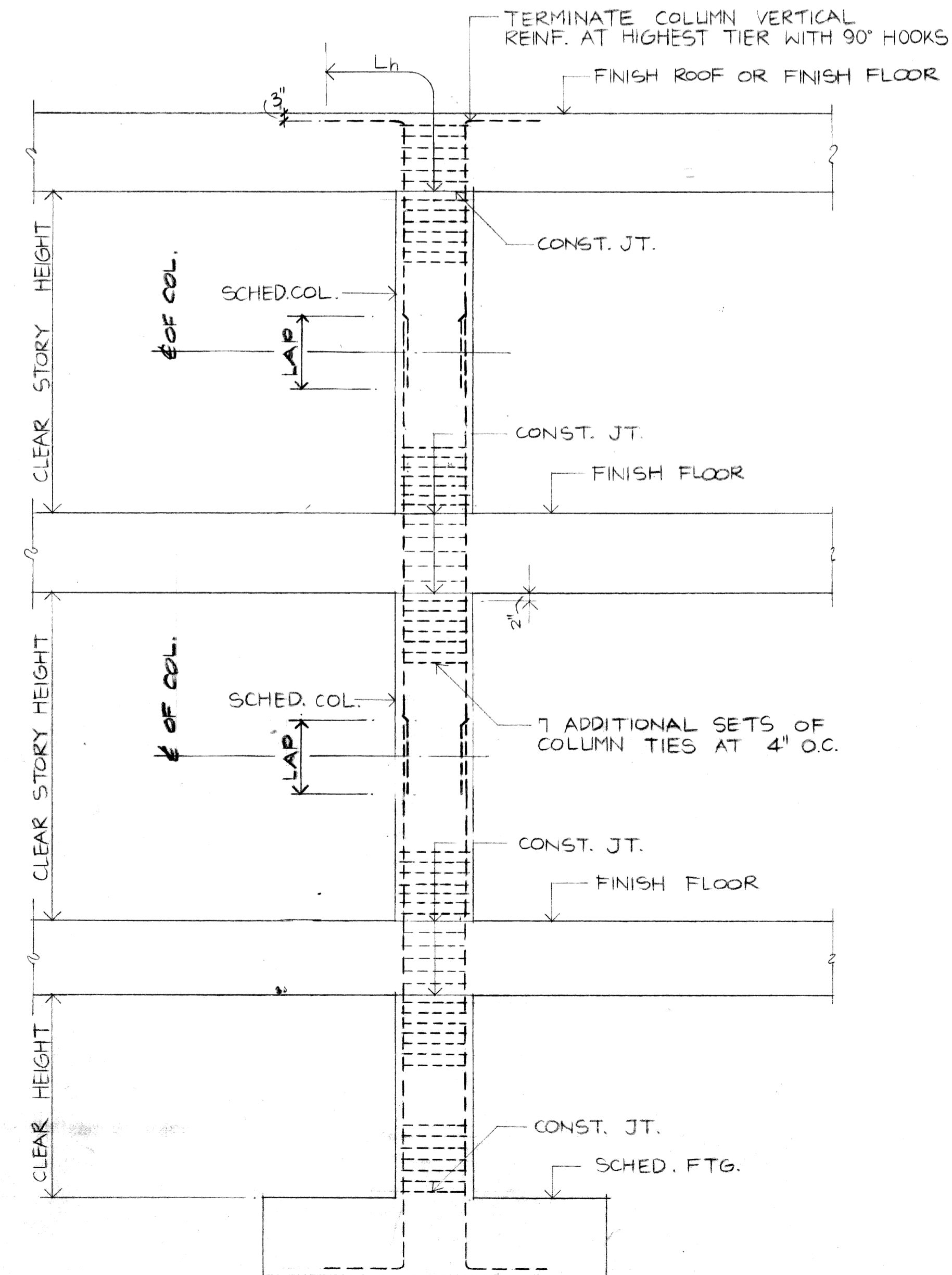
COLUMN TYPES



COLUMN SCHEDULE

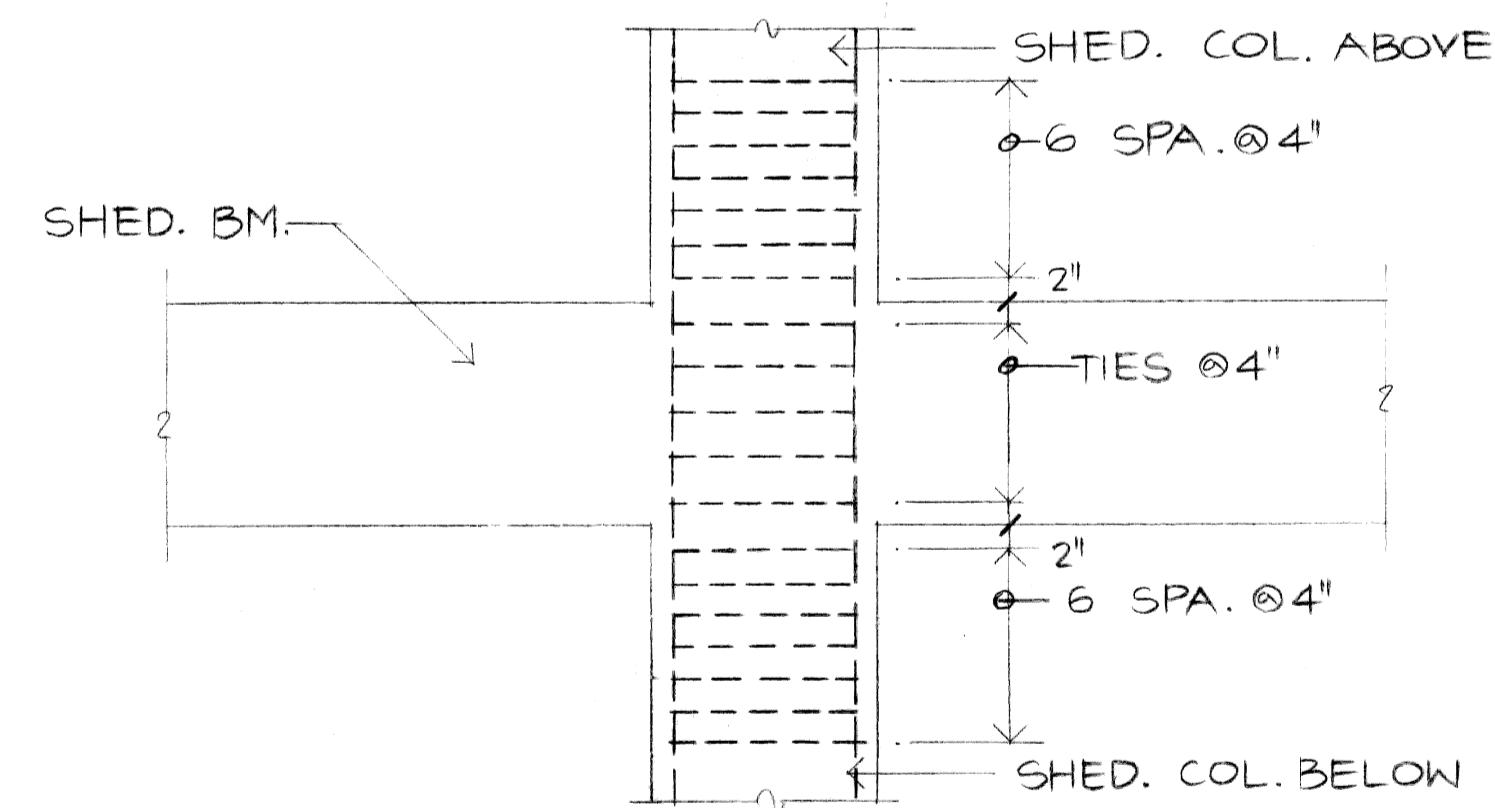
MARK	TYPE	VERTICAL REINFORCING		TIES		REMARK
		QUANTITY	SIZE	SIZE	SPACING	
C1 (A-WING)	A	14	# 8	# 4	4"	
C1 (B-WING)	B	12	# 8	# 4	4"	
C1 (C-WING)	A	16	# 9	# 4	3 1/2"	
C2 (C-WING)	E	12	# 9	# 4	3 1/2"	
C3 (C-WING)	D	12	# 9	# 4	3 1/2"	
C4 (ENTRANCE)	H	12	# 8	# 4	3 1/2"	
C1 (SHOP)	F	8	# 8	# 3	12"	
C2 (SHOP)	G	4	# 6	# 3	12"	
C1A (B-WING)	D	12	# 9	# 4	3 1/2"	
C1A (A-WING)	D	12	# 9	# 4	3 1/2"	
C1 (GENERAL STORAGE)	B	12	# 8	# 4	4"	
C2 (B-WING)	D	16	# 8	# 4	4"	

STANDARD COLUMN SECTION



COLUMN REMARK

1. PLACE COL. TIES THRU JT. INTERSECTION OF BMS. AND COLS. @ 4" O.C. SEE DIAGRAM.



ELEVATION - SECTION

STANDARD HOOK TERMINATION FOR COLUMN BARS (L_h)

LENGTH OF HOOK SHALL BE MEASURED FROM THE POINT WHERE THE BOTTOM OF BEAM INTERSECTS WITH TOP OF COLUMN AROUND THE HOOK TO THE END OF THE TAIL OF THE HOOK.

BAR SIZE	L _h LENGTH
# 5	33 INCHES
# 6	33 INCHES
# 7	42 INCHES
# 8	56 INCHES
# 9	74 INCHES
# 10	95 INCHES
# 11	119 INCHES
# 14S	164 INCHES
# 18S	213 INCHES

RADIUS FOR #6 THRU #8 = 3d
 RADIUS FOR #9 THRU #11 = 4d
 RADIUS FOR #14S AND #18S = 5d

NOTE:

LAP LENGTHS SHALL BE AS FOLLOWS:

BAR SIZE	LAP LENGTH
# 5	26 INCHES
# 6	32 INCHES
# 7	39 INCHES
# 8	52 INCHES
# 9	65 INCHES
# 10	82 INCHES



REVISION	DATE	DESCRIPTION	DRAWN	APPROVED
GOVERNMENT OF GUAM Department of Public Works				
UP GRADING and EXPANSION OF THE GUAM MEMORIAL HOSPITAL				
TAMUNING, PACKAGE III, IV & V GUAM				
DESCRIPTION OF DRAWING: COLUMN TYPES & SCHEDULE			PROJECT NO: 4805-1018-F74P	DATE: 23-MAR-89
RECOMMENDED BY: <i>ADD</i>			DESIGNED BY: <i>DG</i>	DRAWN BY: <i>AM</i>
CHIEF OF ENGINEERING: <i>ADD</i>			CHECKED BY: <i>DG</i>	SUPV. BY: <i>DG</i>
ARCHITECT: Taniguchi-Ruth & Associates 100 Cliff Business Center Agaña, Guam 96910			CONSULTING ARCHITECT: Rex Whitaker Allen, FAIA San Francisco, CA	SCALE: NOT TO SCALE
DRAWING NUMBER: S4.6				SHEET: 136 OF 296

BEAM SECTIONS - 1

A-WING

A - WING

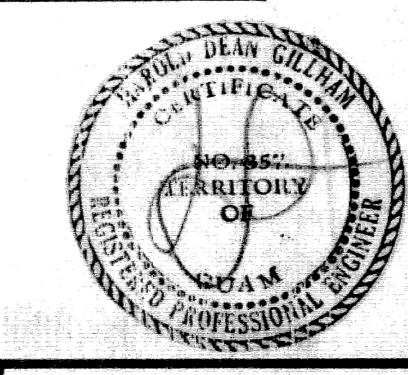
No.	RG1			RG2			RG3			RG4			RD1			RD2		
	I. END	CENTER	E. END	I. END	CENTER	E. END	I. END	CENTER	E. END	I. END	CENTER	E. END	I. END	CENTER	E. END	I. END	CENTER	E. END
SECTION																		
SIZE	18" x 24"			18" x 24"			18" x 24"			18" x 24"			12" x 24"			12" x 24"		
TOP BAR	2-#8	2-#8	2-#8	2-#8	2-#8	2-#8	2-#8	2-#8	2-#8	4-#8	2-#8	4-#8	3-#9	2-#9	2-#9	2-#9	2-#8	2-#9
BOTTOM BAR	2-#8	2-#8	2-#8	2-#8	2-#8	2-#8	2-#8	2-#8	2-#8	2-#8	4-#8	2-#8	3-#8	3-#8	3-#8	3-#8	3-#8	3-#8
STIRRUP	#3@5"	#3@10"	#3@5"	#3@5"	#3@10"	#3@5"	#3@5"	#3@5"	#3@5"	#3@5"	#3@5"	#3@5"	#3@5"	#3@10"	#3@5"	#3@5"	#3@10"	#3@5"
No.	RG1			RG2			RG3			RG4			RD1			RD2		
SECTION																		
SIZE	18" x 24"			18" x 24"			24" x 24"			18" x 24"			18" x 24"			18" x 24"		
TOP BAR	2-#8	2-#8	2-#8	3-#8	2-#8	2-#8	5-#9	2-#9	5-#9	4-#8	2-#8	4-#8	5-#9	2-#9	5-#9	5-#9	2-#9	6-#9
BOTTOM BAR	2-#8	2-#8	2-#8	2-#8	2-#8	2-#8	3-#9	2-#9	3-#9	2-#8, 1-#9	2-#8	2-#8, 1-#9	2-#9	4-#9	2-#9	2-#9	2-#9	4-#9
STIRRUP	#3@5"	#3@7"	#3@5"	#3@5"	#3@7"	#3@5"	#4@5"	#4@4"	#4@5"	#3@5"	#3@5"	#3@5"	#3@5"	#3@10"	#3@5"	#3@5"	#3@10"	#3@5"
No.	TD3			TD4			TG1			TG2			TG5			TG6		
SECTION																		
SIZE	18" x 24"			18" x 24"			24" x 30"			24" x 30"			18" x 24"			24" x 24"		
TOP BAR	3-#8	2-#8	2-#8	2-#8	2-#8	2-#8	2-#9	2-#9	2-#9	4-#9	3-#9	4-#9	4-#8	2-#8	4-#8	6-#9	2-#9	6-#9
BOTTOM BAR	2-#8	2-#8	2-#8	2-#8	2-#8	2-#8	5-#9	2-#9	5-#9	7-#9	4-#9	7-#9	2-#8	2-#8	2-#8	3-#9	3-#9	3-#9
STIRRUP	#3@5"	#3@10"	#3@5"	#3@5"	#3@10"	#3@5"	#4@5"	#4@10"	#4@5"	#4@5"	#4@10"	#4@5"	#3@5"	#3@5"	#3@5"	#4@4"	#4@4"	#4@4"

B-WING

B - WING

No.	RG1			RG2			RG3			RG4			RD1		
	I. END	CENTER	E. END	I. END	CENTER	E. END	I. END	CENTER	E. END	I. END	CENTER	E. END	I. END	CENTER	E. END
SECTION															
SIZE	18" x 24"			18" x 24"			18" x 24"			18" x 24"			12" x 24"		
TOP BAR	4-#9	2-#9	4-#9	4-#9	2-#9	4-#9	2-#8	2-#8	3-#8	2-#8	2-#8	2-#8	3-#8	2-#8	2-#8
BOTTOM BAR	2-#9	2-#9	2-#9	2-#9	2-#9	2-#9	2-#8	2-#8	2-#8	2-#8	3-#8	2-#8	2-#8	3-#8	2-#8
STIRRUP	#3@5"	#3@5"	#3@5"	#3@5"	#3@5"	#3@5"	#3@5"	#3@7"	#3@5"	#3@5"	#3@7"	#3@5"	#3@5"	#3@10"	#3@5"

REVISION	DATE	DESCRIPTION	DRAWN	APPROVED
GOVERNMENT OF GUAM Department of Public Works				
PROJECT NO: 480-510BF-TM			DATE: 23-MAR-89	
UP GRADING and EXPANSION OF THE GUAM MEMORIAL HOSPITAL			DESIGNED BY: TC	
TAMUNING, PACKAGE III, IV GUAM			DRAWN BY: AM	
DESCRIPTION OF DRAWING: BEAM SECTIONS			CHECKED BY: DG	
RECOMMENDED BY: <i>[Signature]</i>			DATE: 4/3/89	
ARCHITECT: Taniguchi-Ruth & Associates 100 Cliff Business Center Agaña, Guam 96910			CONSULTING ARCHITECT: Rex Whitaker Allen, FAIA San Francisco, CA	
DRAWER NO:			SCALE: NOT TO SCALE	
DRAWING NUMBER			SECTION MANAGER: <i>[Signature]</i>	
SHEET 137			OF 296	

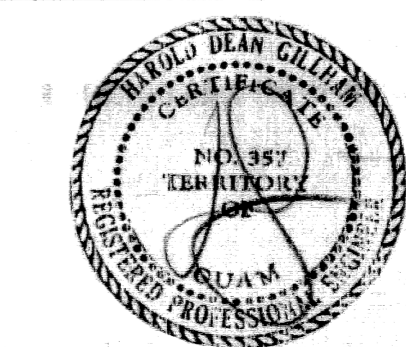


BEAM SECTION- 4

C-WING

C-KING

No.	2G 16			2G 16			2G 11			2G 10			TG 1			TG 2		
	I. END	CENTER	E. END	I. END	CENTER	E. END	I. END	CENTER	E. END	I. END	CENTER	E. END	I. END	CENTER	E. END	I. END	CENTER	E. END
SECTION																		
SIZE	24" x 36"			24" x 36"			24" x 36"			24" x 36"			24" x 30"			24" x 30"		
TOP BAR	4-#9	3-#9	4-#9	5-#9	3-#9	6-#9	6-#9	3-#9	6-#9	4-#9	3-#9	4-#9	2-#9	2-#9	2-#9	2-#9	2-#9	2-#9
BOTTOM BAR	3-#9	3-#9	3-#9	3-#9	3-#9	3-#9	3-#9	3-#9	3-#9	3-#9	3-#9	3-#9	5-#9	2-#9	5-#9	5-#9	2-#9	5-#9
STIRRUP	#4@7"	#4@7"	#4@7"	#4@7"	#4@7"	#4@7"	#4@7"	#4@7"	#4@7"	#4@7"	#4@7"	#4@7"	#4@5"	#4@10"	#4@5"	#4@5"	#4@10"	#4@5"
No.	TG 3			TG 4			TG 5, TG 6			TG 8, TG 11			TG 9, TG 12			TG 10, TG 11		
	I. END	CENTER	E. END	I. END	CENTER	E. END	I. END	CENTER	E. END	I. END	CENTER	E. END	I. END	CENTER	E. END	I. END	CENTER	E. END
SECTION																		
SIZE	24" x 30"			24" x 30"			24" x 30"			24" x 30"			24" x 30"			24" x 30"		
TOP BAR	2-#9	2-#9	2-#9	2-#9	2-#9	2-#9	2-#9	2-#9	2-#9	2-#9	2-#9	4-#9	2-#9	3-#9	2-#9	2-#9	2-#9	2-#9
BOTTOM BAR	5-#9	2-#9	5-#9	5-#9	2-#9	5-#9	5-#9	2-#9	5-#9	5-#9	2-#9	5-#9	5-#9	2-#9	5-#9	5-#9	2-#9	5-#9
STIRRUP	#4@5"	#4@10"	#4@5"	#4@5"	#4@10"	#4@5"	#4@5"	#4@10"	#4@5"	#4@5"	#4@10"	#4@5"	#4@5"	#4@10"	#4@5"	#4@5"	#4@10"	#4@5"
No.	TG 13			TG 14			TG 15			TG 16			2CG 1					
	I. END	CENTER	E. END	I. END	CENTER	E. END	I. END	CENTER	E. END	I. END	CENTER	E. END	I. END	CENTER	E. END			
SECTION																		
SIZE	24" x 30"			24" x 30"			24" x 30"			24" x 30"			20" x 24"					
TOP BAR	4-#9	5-#9	4-#9	4-#9	5-#9	4-#9	4-#9	5-#9	4-#9	4-#9	5-#9	4-#9	6-#9	6-#9	6-#9			
BOTTOM BAR	7-#9	4-#9	7-#9	7-#9	4-#9	7-#9	7-#9	4-#9	7-#9	7-#9	4-#9	7-#9	2-#9	2-#9	2-#9			
STIRRUP	#4@5"	#4@10"	#4@5"	#4@5"	#4@10"	#4@5"	#4@5"	#4@10"	#4@5"	#4@5"	#4@10"	#4@5"	#3@5"	#3@5"	#3@5"			



REVISION		DATE	DESCRIPTION	DRAWN	APPROVED
GOVERNMENT OF GUAM Department of Public Works					
PROJECT NO. 408-5-1018-A-TAM				DATE: 23-MAR-89	
UP GRADING and EXPANSION OF THE GUAM MEMORIAL HOSPITAL				DESIGNED BY: TC	
TAMUNING, PACKAGE II, IV & V GUAM				DRAWN BY: TC	
DESCRIPTION OF DRAWING: BEAM SECTIONS				CHECKED BY: DG	
RECOMMENDED BY: <i>Carl Duen</i>				DATE: 4/3/89	
CHIEF OF ENGINEERING: <i>Rex Whitaker Allen</i>				SECTION MANAGER: <i>Neilson</i>	
ARCHITECT: Taniguchi-Ruth & Associates 100 Cliff Business Center Agaña, Guam 96910				CONSULTING ARCHITECT: Rex Whitaker Allen, FAIA San Francisco, CA	
SCALE: NOT TO SCALE				DRAWING NUMBER: S5.4	
				SHEET 140 OF 296	

BEAM SECTION - 5

ENTRANCE

ENTRANCE

No.	2CG1, 2CG3			2CG2			2CG4			2CG1, 2CG2			2CB1, 2CB2, 2CB3, 2CB4			2CB5		
	I. END	CENTER	E. END	I. END	CENTER	E. END	I. END	CENTER	E. END	I. END	CENTER	E. END	I. END	CENTER	E. END	I. END	CENTER	E. END
SECTION																		
SIZE	14' x 36"			14' x 36"			14' x 36"			14' x 36"			12' x 36"			12' x 36"		
TOP BAR	2-#8	2-#8	3-#8	2-#8	2-#8	2-#8	4-#8	2-#8	4-#8	3-#8	3-#8	2-#8	2-#8	2-#8	2-#8	2-#8	2-#8	2-#8
BOTTOM BAR	2-#8	2-#8	2-#8	2-#8	2-#8	2-#8	2-#8	2-#8	2-#8	2-#8	2-#8	2-#8	2-#8	2-#8	2-#8	2-#8	2-#8	2-#8
STIRRUP	#4@6"	#4@10"	#4@6"	#4@6"	#4@10"	#4@6"	#4@6"	#4@10"	#4@6"	#4@10"	#4@6"	#4@6"	#4@12"	#4@6"	#4@6"	#4@6"	#4@6"	#4@6"

No.	FC2			FC3			2CB6								
	I. END	CENTER	E. END	I. END	CENTER	E. END	I. END	CENTER	E. END	I. END	CENTER	E. END	I. END	CENTER	E. END
SECTION															
SIZE	24" x 30"			24" x 30"			12" x 16"								
TOP BAR	2-#8	2-#8	2-#8	2-#8	2-#8	2-#8	3-#7	3-#7	3-#7						
BOTTOM BAR	2-#8	2-#8	2-#8	2-#8	2-#8	2-#8	3-#7	3-#7	3-#7						
STIRRUP	#4@6"	#4@10"	#4@6"	#4@6"	#4@10"	#4@6"	#4@4"	#4@4"	#4@4"						

DELETE

SHOP

No.	RC1			RC2			RD1			SHOP RD2			RD3			RD4		
	I. END	CENTER	E. END	I. END	CENTER	E. END	I. END	CENTER	E. END	I. END	CENTER	E. END	I. END	CENTER	E. END	I. END	CENTER	E. END
SECTION																		
SIZE	15' x 24"			10' x 24"			12' x 24"			12' x 24"			12' x 24"			12' x 24"		
TOP BAR	3-#8	2-#8	2-#8	2-#8	2-#8	3-#8	2-#8	2-#8	2-#8	3-#8	2-#8	2-#8	2-#8	2-#8	3-#8	2-#8	2-#8	2-#8
BOTTOM BAR	2-#8	2-#8	2-#8	2-#8	2-#8	2-#8	2-#8	3-#8	2-#8	2-#8	2-#8	2-#8	2-#8	2-#8	2-#8	2-#8	2-#8	2-#8
STIRRUP	#3@5"	#3@6"	#3@5"	#3@5"	#3@10"	#3@5"	#3@5"	#3@10"	#3@5"	#3@5"	#3@10"	#3@5"	#3@5"	#3@10"	#3@5"	#3@5"	#3@5"	#3@5"

Ⓐ₂

No.	MG1			MG2			MD1			MD2					
	I. END	CENTER	E. END	I. END	CENTER	E. END	I. END	CENTER	E. END	I. END	CENTER	E. END	I. END	CENTER	E. END
SECTION															
SIZE	12' x 24"			12' x 24"			10' x 24"			10' x 24"					
TOP BAR	2-#8	2-#8	2-#8	2-#8	2-#8	2-#8	2-#8	2-#8	2-#8	2-#8	2-#8	2-#8			
BOTTOM BAR	2-#8	2-#8	2-#8	2-#8	2-#8	2-#8	2-#8	2-#8	2-#8	2-#8	2-#8	2-#8			
STIRRUP	#3@5"	#3@6"	#3@5"	#3@5"	#3@6"	#3@5"	#3@5"	#3@6"	#3@5"	#3@5"	#3@6"	#3@5"			



REVISION: 1-14-89 PARTIAL DIMENSION CHANGES/NOTATION AM DATE: 1-14-89 DESCRIPTION: PARTIAL DIMENSION CHANGES/NOTATION AM DRAWN: AM APPROVED: J		PROJECT NO: 480-5-10-B-F-1AM DATE: 23-MAR-89
GOVERNMENT OF GUAM Department of Public Works		
UP GRADING and EXPANSION OF THE GUAM MEMORIAL HOSPITAL TAMUNING, PACKAGE III, IV and V GUAM		DESIGNED BY: TC DRAWN BY: AM CHECKED BY: DG SUPV. BY: TC
DESCRIPTION OF DRAWING: BEAM SECTIONS		
RECOMMENDED BY: [Signature] CHIEF OF ENGINEERING		DATE: 4/3/89 SECTION MANAGER
ARCHITECT: Taniguchi-Ruth & Associates 100 Cliff Business Center Agaña, Guam 96910		CONSULTING ARCHITECT: Rex Whitaker Allen, FAIA San Francisco, CA
SCALE: NOT TO SCALE		DRAWING NUMBER: S5.5 SHEET 14 of 296

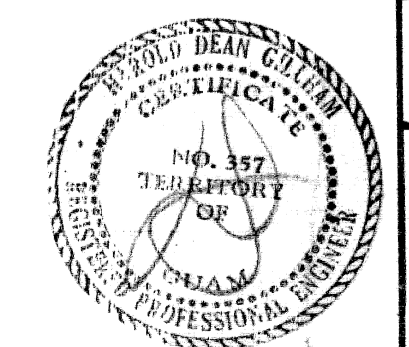
BEAM SECTION -6

GENERAL STORAGE

GENERAL STORAGE

No.	RG1			RG2			RG3			RG4			RG5, RG6			RG7		
	I. END	CENTER	E. END	I. END	CENTER	E. END	I. END	CENTER	E. END	I. END	CENTER	E. END	I. END	CENTER	E. END	I. END	CENTER	E. END
SECTION																		
SIZE	24" x 24"			24" x 24"			24" x 24"			24" x 24"			24" x 24"			18" x 24"		
TOP BAR	3-#9	2-#9	9-#9	3-#9	2-#9	9-#9	3-#9	2-#9	9-#9	3-#8	2-#8	3-#8	3-#8	2-#8	3-#8	4-#8	2-#8	4-#8
BOTTOM BAR	3-#9	5-#9	4-#9	3-#9	5-#9	4-#9	3-#9	5-#9	4-#9	2-#8	2-#8	2-#8	2-#8	2-#8	2-#8	2-#8	3-#8	2-#8
STIRRUP	#4 @ 4"	#4 @ 6"	#4 @ 4"	#4 @ 4"	#4 @ 6"	#4 @ 4"	#4 @ 4"	#4 @ 6"	#4 @ 4"	#4 @ 4"	#4 @ 6"	#4 @ 6"	#4 @ 6"	#4 @ 6"	#4 @ 6"	#4 @ 6"	#4 @ 6"	#4 @ 6"
No.	RG8			RCG1			RB1, RB2			RCG1			RCG2			RCG2		
	I. END	CENTER	E. END	I. END	CENTER	E. END	I. END	CENTER	E. END	I. END	CENTER	E. END	I. END	CENTER	E. END	I. END	CENTER	E. END
SECTION																		
SIZE	18" x 24"			18" x 24"			12" x 24"			24" x 30"			24" x 30"			8 x 24		
TOP BAR	4-#8	2-#8	4-#8	5-#9	5-#9	5-#9	3-#8	2-#8	3-#8	3-#8	3-#8	3-#8	3-#8	3-#8	3-#8	3-#8	3-#8	3-#8
BOTTOM BAR	2-#8	3-#8	2-#8	2-#9	2-#9	2-#9	2-#8	2-#8	2-#8	5-#8	3-#8	3-#8	3-#8	3-#8	3-#8	2-#8	2-#8	2-#8
STIRRUP	#4 @ 6"	#4 @ 8"	#4 @ 6"	#4 @ 4"	#4 @ 4"	#4 @ 4"	#4 @ 6"	#4 @ 12"	#4 @ 6"	#3 @ 6"	#3 @ 12"	#3 @ 6"	#3 @ 6"	#3 @ 6"	#3 @ 6"	#3 @ 5"	#3 @ 5"	#3 @ 5"

DELETE



REVISION	DATE	DESCRIPTION	DRAWN	APPROVED
GOVERNMENT OF GUAM Department of Public Works			PROJECT NO. 480-5-1018-F-1A1	
UP GRADING and EXPANSION OF THE GUAM MEMORIAL HOSPITAL TAMUNING, PACKAGES II, IV & V GUAM			DATE: 23-MAR-89	
DESIGNED BY: TC			DRAWN BY: AM	
CHECKED BY: DG			SUPPLY BY: TC	
DESCRIPTION OF DRAWING: BEAM SECTIONS				
RECOMMENDED BY: <i>ap...</i>			DATE: 4/3/89	
ARCHITECT: Taniguchi-Ruth & Associates 100 Cliff Business Center Agaña, Guam 96910			CONSULTING ARCHITECT: Rex Whitaker Allen, FAIA San Francisco, CA	
SCALE: NOT TO SCALE			DRAWING NUMBER: S5.6	
			SHEET 42 OF 296	